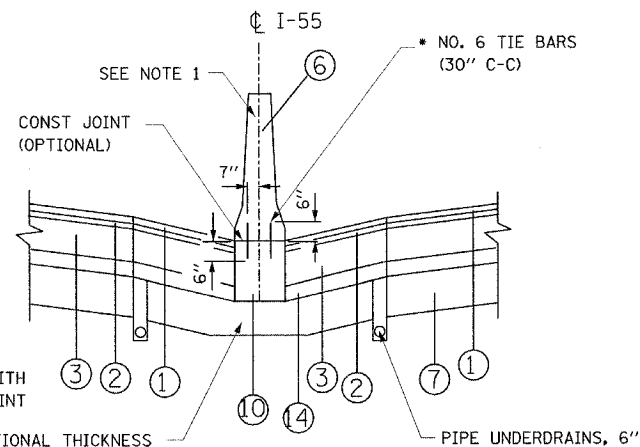


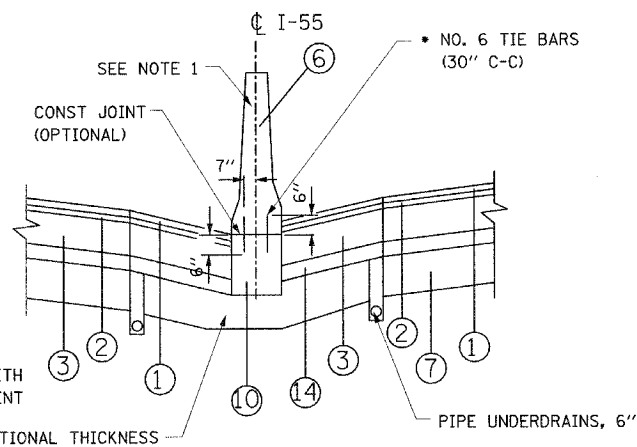
| F.A.P. RTE.         | SECTION     | COUNTY                    | TOTAL SHEETS | SHEET NO. |
|---------------------|-------------|---------------------------|--------------|-----------|
| 55                  | 2006-032 BY | WILL                      | 505          | 16        |
| STA.                |             | TO STA.                   |              |           |
| FED. ROAD DIST. NO. |             | ILLINOIS FED. AID PROJECT |              |           |
|                     |             | TYP 05 OF 06              |              |           |



• ONLY REQUIRED WITH OPTIONAL CONST JOINT

COST OF ADDITIONAL THICKNESS OF AGG SUBGRADE TO BE INCLUDED IN CONTRACT UNIT COST FOR AGG SUBGRADE, 12"

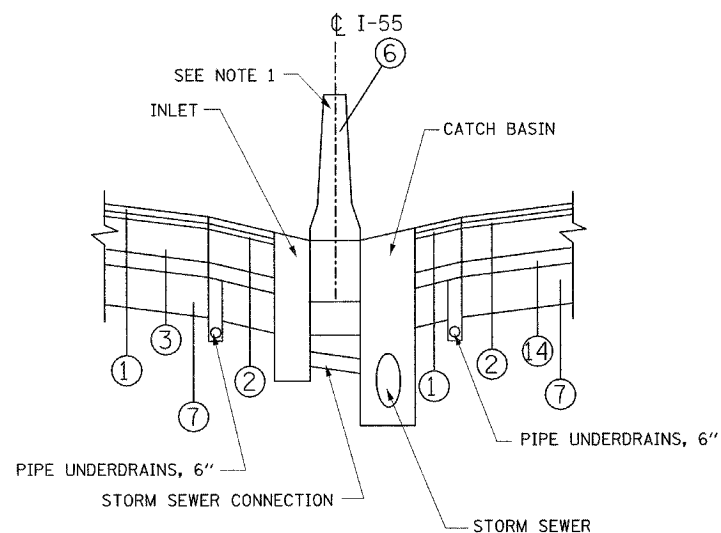
**MEDIAN DETAIL A**  
TYPICAL CONCRETE BARRIER



• ONLY REQUIRED WITH OPTIONAL CONST JOINT

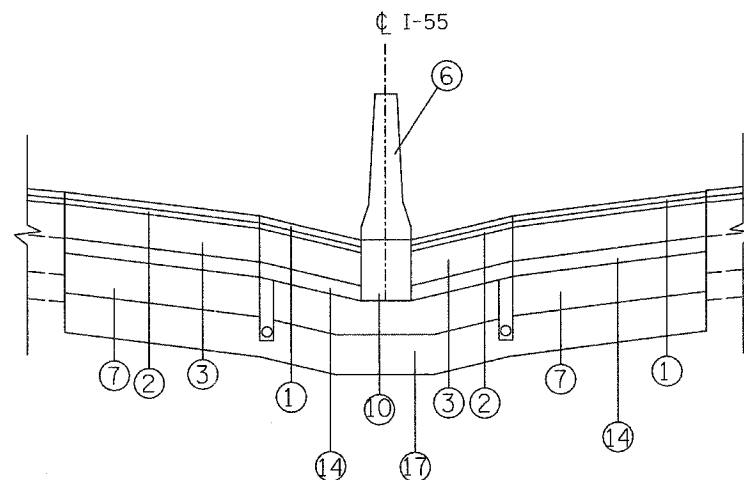
COST OF ADDITIONAL THICKNESS OF AGG SUBGRADE TO BE INCLUDED IN CONTRACT UNIT COST FOR AGG SUBGRADE, 12"

**MEDIAN DETAIL B**  
TYPICAL CONCRETE BARRIER (VARIABLE HEIGHT)



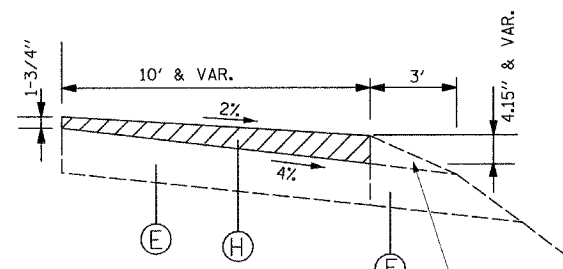
**MEDIAN DETAIL C**

TYPICAL CONCRETE BARRIER W/ INLET AND CATCH BASIN



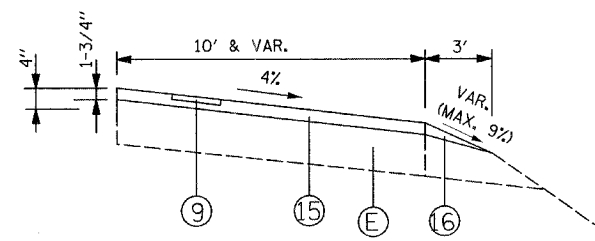
**MEDIAN DETAIL D**

MEDIAN DETAIL WITH PROPOSED UNDERCUT  
STA. 628+50 TO STA. 629+70  
STA. 785+50 TO STA. 788+25



**SHOULDER MILLING DETAIL**

REMOVE EXIST AGGREGATE SHLDR  
THE COST OF THIS WORK SHALL BE INCLUDED IN THE CONTRACT UNIT PRICE FOR "BITUMINOUS SURFACE REMOVAL (VARIABLE DEPTH)"



**SHOULDER DETAIL**

**EXISTING**

- (A) BITUMINOUS SHOULDER REMOVAL
- (B) BITUMINOUS SURFACE REMOVAL, 3-1/2"
- (C) P.C.C. PAVEMENT, 10"
- (D) SUB-BASE GRANULAR MATERIAL
- (E) BITUMINOUS SHOULDER
- (F) AGGREGATE SHOULDER
- (G) GUARDRAIL
- (H) BITUMINOUS SURFACE REMOVAL (VARIABLE DEPTH)

**PROPOSED**

- (1) POLYMERIZED BIT. CONC. SURF. CSE, STONE MATRIX ASPH., SUPERPAVE, N80, 1-3/4"
- (2) POLYMERIZED BIT. CONC. BIND. CSE, STONE MATRIX ASPH., SUPERPAVE, N80, 1-3/4"
- (3) BITUMINOUS BASE COURSE, SUPERPAVE, N90, 8"
- (4) BITUMINOUS BASE COURSE, SUPERPAVE, N70, 8"
- (5) P.C.C. CONCRETE BASE COURSE, 10-1/2"
- (6) CONCRETE BARRIER, DOUBLE FACE, 42" HEIGHT
- (7) AGGREGATE SUBGRADE, 12"
- (8) SUB-BASE GRANULAR MATERIAL, TYPE B, 6"
- (9) SHOULDER RUMBLE STRIP
- (10) BARRIER BASE
- (11) LONGITUDINAL CONSTRUCTION JOINT AND NO. 25 EPOXY COATED DEFORMED TIE BARS (DRILL AND GROUT)
- (12) AGGREGATE SHOULDERS, TYPE B 8"
- (13) CLASS D PATCHES, 10" (SEE NOTE 1)
- (14) BITUMINOUS BASE COURSE SUPERPAVE, N50, 2-1/2"
- (15) BITUMINOUS CONCRETE SURFACE COURSE, SUPERPAVE, MIX "D", N70, 1-3/4"
- (16) AGGREGATE SHOULDERS, TYPE B (SPECIAL)
- (17) POPOUS GRANULAR MATERIAL, SUBGRADE 12"

| REVISIONS |          |
|-----------|----------|
| NAME      | DATE     |
| D. MELNIK | 07/28/06 |
| D. MELNIK | 08/01/06 |
|           |          |
|           |          |
|           |          |
|           |          |
|           |          |
|           |          |
|           |          |

ILLINOIS DEPARTMENT OF TRANSPORTATION  
FAI ROUTE 55  
US 30 (PLAINFIELD ROAD) TO LILY CACHE SLOUGH

TYPICAL SECTIONS

SCALE: NONE  
DATE: 07-21-06

DRAWN BY: DM  
CHECKED BY: DVS



FINAL