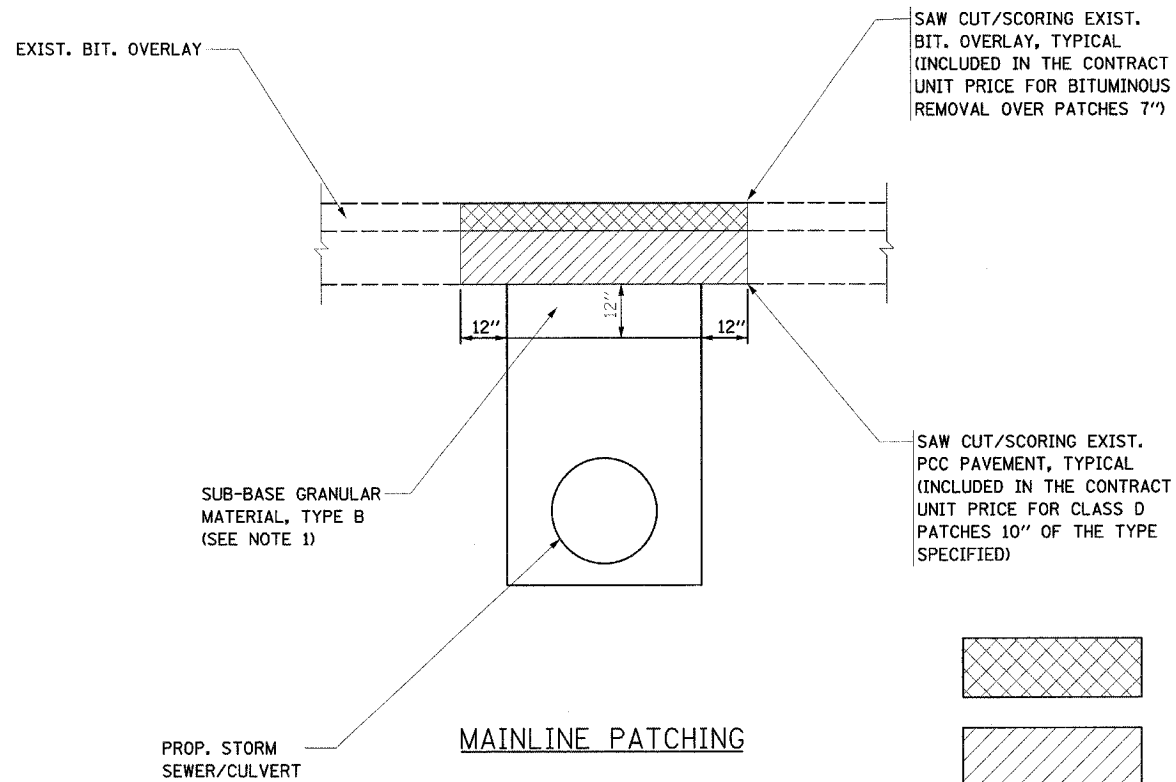
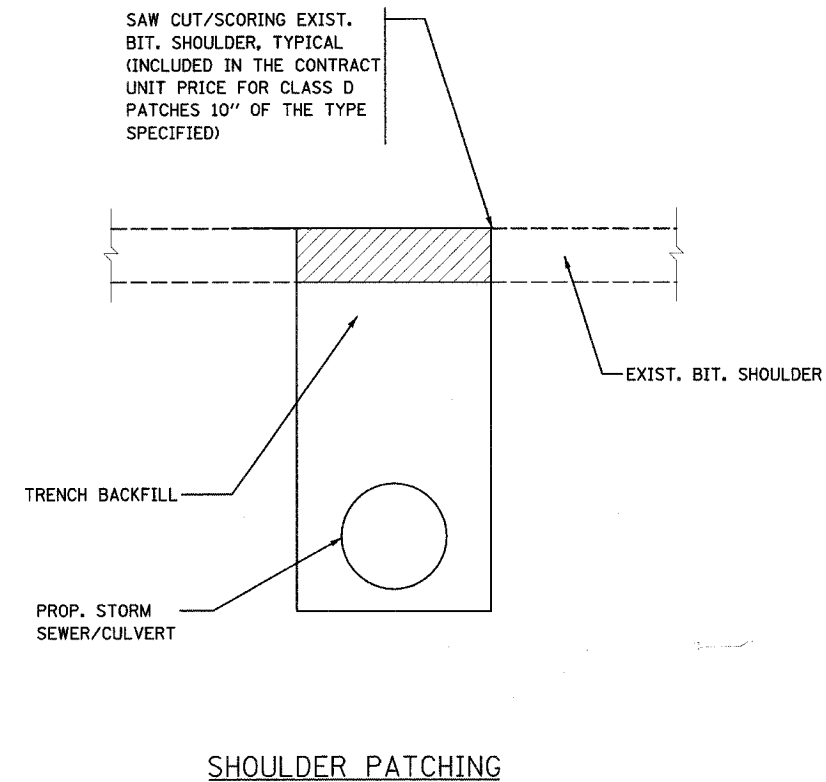


F.A.P. RTE.	SECTION	COUNTY	TOTAL SHEETS	SHEET NO.
55	2006-032 BY	WILL	505	17
STA.		TO STA.		
FED. ROAD DIST. NO.	ILLINOIS	FED. AID PROJECT		
TYP 06 OF 06				



NOTES:

1. SUB-BASE GRANULAR MATERIAL, TYPE B SHALL BE CONSTRUCTED IN ACCORDANCE WITH ARTICLES 311.02, 311.03 AND 311.05 OF THE STANDARD SPECIFICATIONS. THIS WORK WILL BE MEASURED AND PAID FOR AS TRENCH BACKFILL IN ACCORDANCE WITH ARTICLES 208.03 AND 208.04 OF THE STANDARD SPECIFICATIONS.



- BITUMINOUS REMOVAL OVER PATCHES 7"
- BITUMINOUS REPLACEMENT OVER PATCHES
- CLASS D PATCHES 10" OF THE TYPE SPECIFIED

PAVEMENT PATCHING FOR STORM SEWER LATERAL OUTLETS

REVISIONS	
NAME	DATE

ILLINOIS DEPARTMENT OF TRANSPORTATION
 FAI ROUTE 55
 US 30 (PLAINFIELD ROAD) TO LILY CACHE SLOUGH
 TYPICAL SECTIONS



SCALE: NONE
 DATE: 06-30-06
 DRAWN BY: DM
 CHECKED BY: DVS