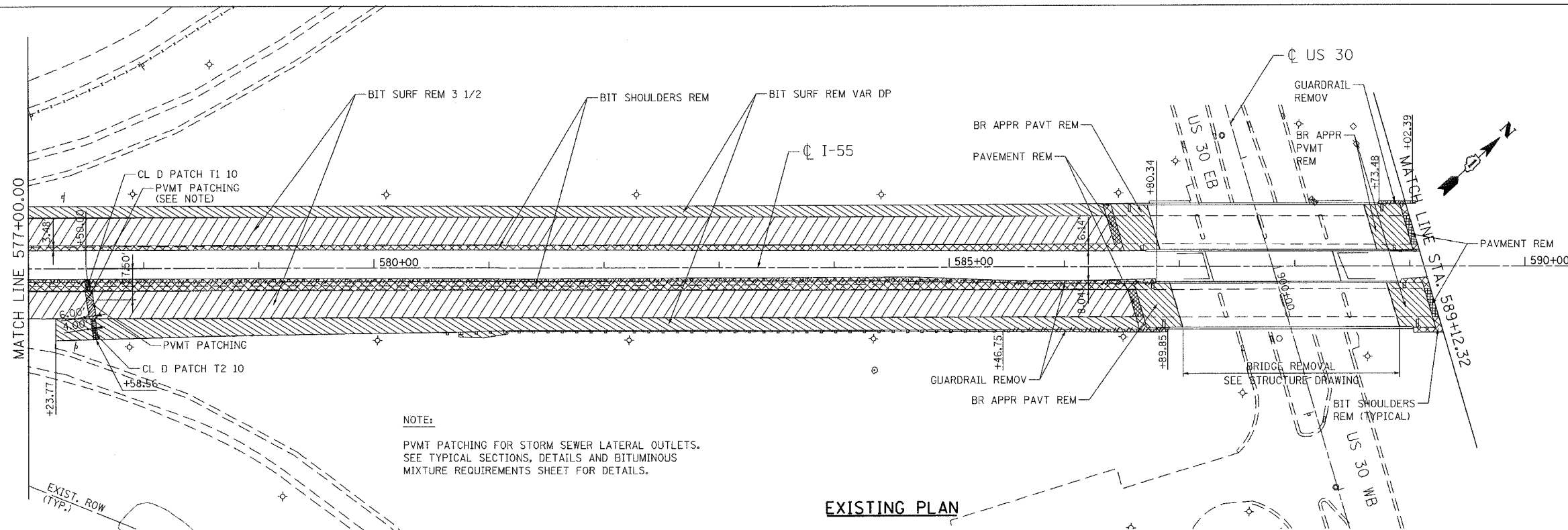
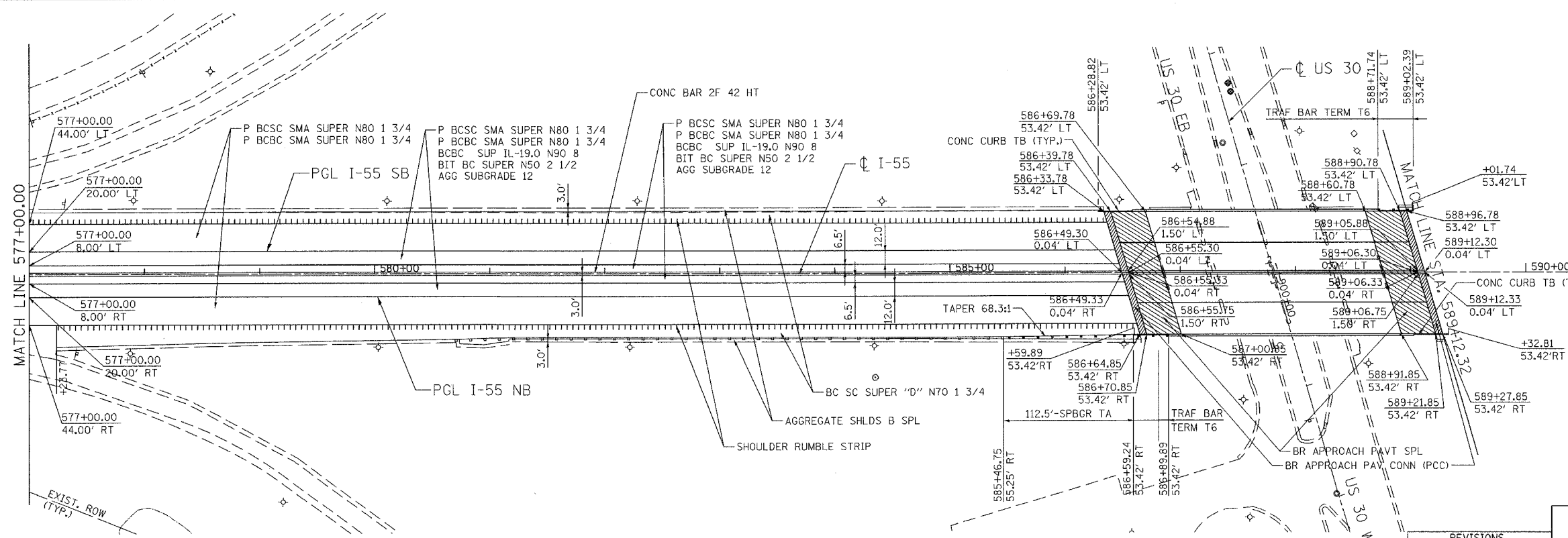
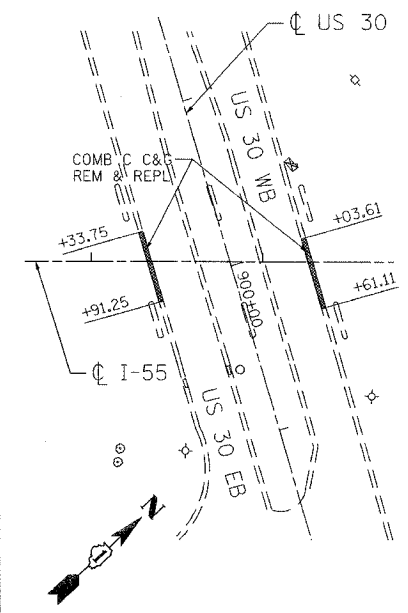


F.A.I. RTE.	SECTION	COUNTY	TOTAL SHEETS	SHEET NO.
55	2006-032 BY	WILL	505	55
STA.		TO STA.		
FED. ROAD DIST. NO.		ILLINOIS	FED. AID PROJECT	



EXISTING PLAN



PROPOSED PLAN

REVISIONS	
NAME	DATE
GF	1/28/06

ILLINOIS DEPARTMENT OF TRANSPORTATION
 FAI ROUTE 55
 US 30 (PLAINFIELD ROAD) TO LILY CACHE SLOUGH

ROADWAY PLAN
 FAI 55
 STA. 577+00.00 TO STA. 589+12.32

SCALE: 1"=50'
 DATE 07/21/06
 DRAWN BY AG
 CHECKED BY DDH

TENG TENG & ASSOCIATES, INC.
 ENGINEERS/ARCHITECTS/PLANNERS
 CHICAGO, ILLINOIS

PLOT DATE = 08/15/06
 FILE NAME = PFILE1
 PLOT SCALE = 1/8"=1'-0"
 USER NAME = JUSER
 \\VAL914801LDON\...
 \\VAL914802LDON\...
 \\VAL914803LDON\...
 \\VAL914804LDON\...
 \\VAL914805LDON\...
 \\VAL914806LDON\...
 \\VAL914807LDON\...
 \\VAL914808LDON\...
 \\VAL914809LDON\...
 \\VAL914810LDON\...
 \\VAL914811LDON\...
 \\VAL914812LDON\...
 \\VAL914813LDON\...
 \\VAL914814LDON\...
 \\VAL914815LDON\...
 \\VAL914816LDON\...
 \\VAL914817LDON\...
 \\VAL914818LDON\...
 \\VAL914819LDON\...
 \\VAL914820LDON\...
 \\VAL914821LDON\...
 \\VAL914822LDON\...
 \\VAL914823LDON\...
 \\VAL914824LDON\...
 \\VAL914825LDON\...
 \\VAL914826LDON\...
 \\VAL914827LDON\...
 \\VAL914828LDON\...
 \\VAL914829LDON\...
 \\VAL914830LDON\...
 \\VAL914831LDON\...
 \\VAL914832LDON\...
 \\VAL914833LDON\...
 \\VAL914834LDON\...
 \\VAL914835LDON\...
 \\VAL914836LDON\...
 \\VAL914837LDON\...
 \\VAL914838LDON\...
 \\VAL914839LDON\...
 \\VAL914840LDON\...
 \\VAL914841LDON\...
 \\VAL914842LDON\...
 \\VAL914843LDON\...
 \\VAL914844LDON\...
 \\VAL914845LDON\...
 \\VAL914846LDON\...
 \\VAL914847LDON\...
 \\VAL914848LDON\...
 \\VAL914849LDON\...
 \\VAL914850LDON\...
 \\VAL914851LDON\...
 \\VAL914852LDON\...
 \\VAL914853LDON\...
 \\VAL914854LDON\...
 \\VAL914855LDON\...
 \\VAL914856LDON\...
 \\VAL914857LDON\...
 \\VAL914858LDON\...
 \\VAL914859LDON\...
 \\VAL914860LDON\...
 \\VAL914861LDON\...
 \\VAL914862LDON\...
 \\VAL914863LDON\...
 \\VAL914864LDON\...
 \\VAL914865LDON\...
 \\VAL914866LDON\...
 \\VAL914867LDON\...
 \\VAL914868LDON\...
 \\VAL914869LDON\...
 \\VAL914870LDON\...
 \\VAL914871LDON\...
 \\VAL914872LDON\...
 \\VAL914873LDON\...
 \\VAL914874LDON\...
 \\VAL914875LDON\...
 \\VAL914876LDON\...
 \\VAL914877LDON\...
 \\VAL914878LDON\...
 \\VAL914879LDON\...
 \\VAL914880LDON\...
 \\VAL914881LDON\...
 \\VAL914882LDON\...
 \\VAL914883LDON\...
 \\VAL914884LDON\...
 \\VAL914885LDON\...
 \\VAL914886LDON\...
 \\VAL914887LDON\...
 \\VAL914888LDON\...
 \\VAL914889LDON\...
 \\VAL914890LDON\...
 \\VAL914891LDON\...
 \\VAL914892LDON\...
 \\VAL914893LDON\...
 \\VAL914894LDON\...
 \\VAL914895LDON\...
 \\VAL914896LDON\...
 \\VAL914897LDON\...
 \\VAL914898LDON\...
 \\VAL914899LDON\...
 \\VAL914900LDON\...