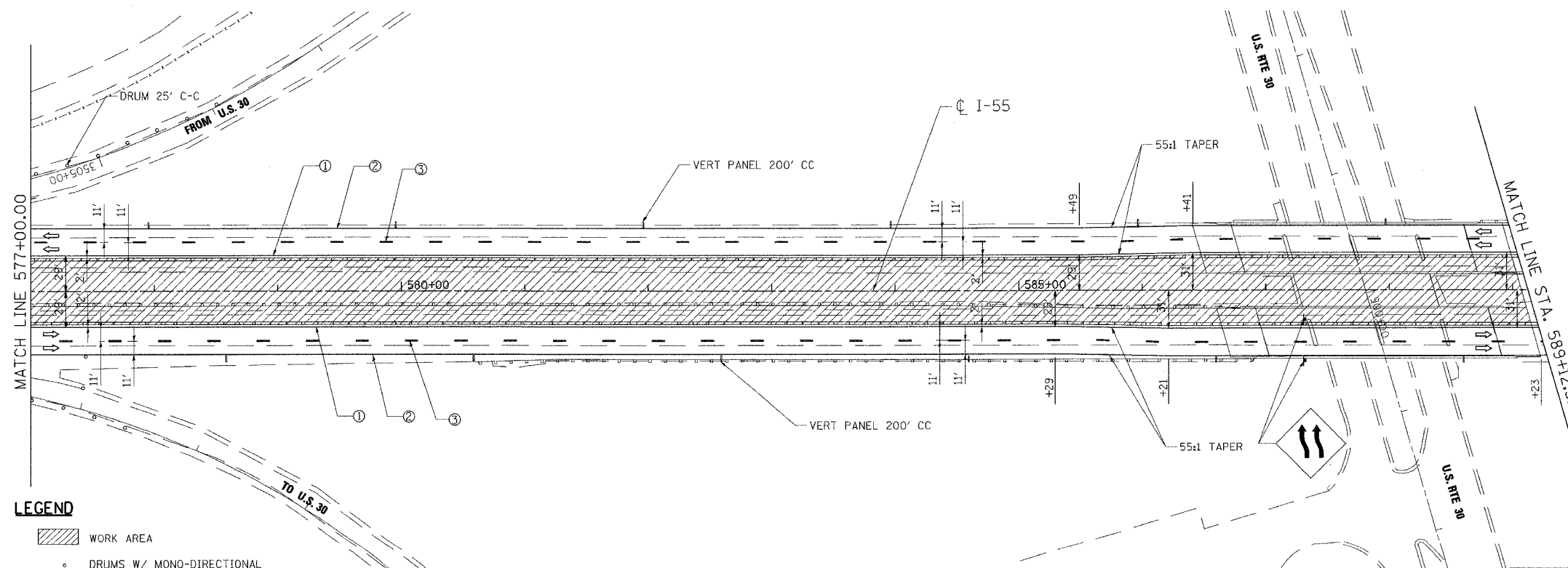
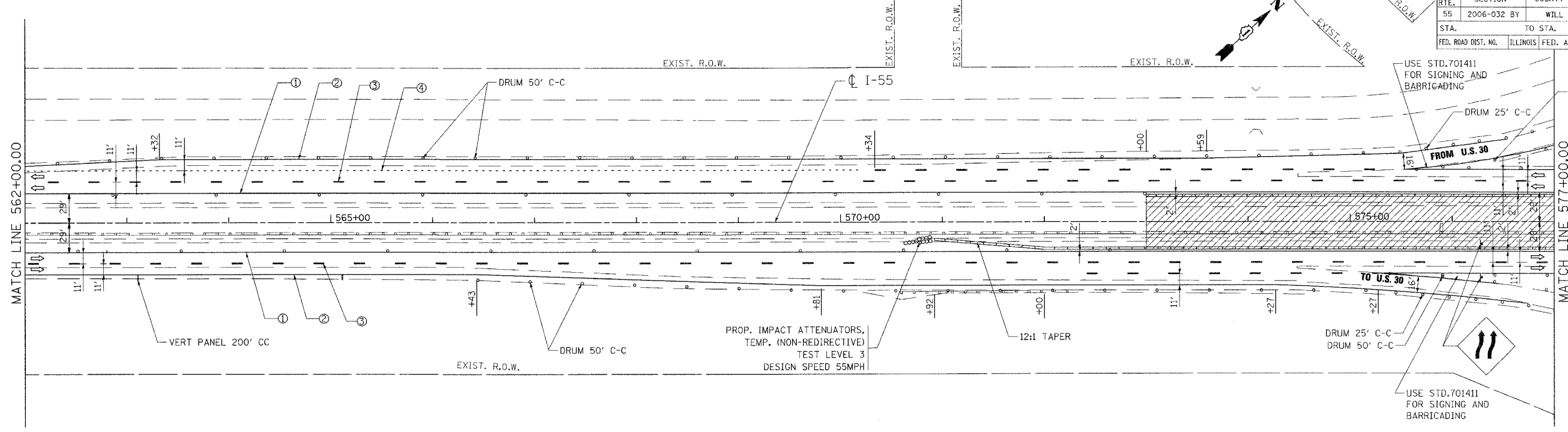


F.A.I. RTE.	SECTION	COUNTY	TOTAL SHEETS	SHEET NO.
55	2006-032 BY	WILL	505	109
STA.	TO STA.			
FED. ROAD DIST. NO.	ILLINOIS	FED. AID PROJECT		



LEGEND

- WORK AREA
- DRUMS W/ MONO-DIRECTIONAL STEADY BURN LIGHT
- VERTICAL PANEL
- TEMPORARY CONC. BARRIER
- TRAFFIC FLOW
- BARRICADE, TYPE III WITH TWO FLASHING LIGHTS
- ① PVMT. MARKING TAPE, TYPE III, 4", YELLOW
- ② PVMT. MARKING TAPE, TYPE III, 4", WHITE
- ③ PVMT. MARKING TAPE, TYPE III, 5" (10' DASH 30' SKIP)
- ④ PVMT. MARKING TAPE, TYPE III, 4" WHITE (2' DASH 6' SKIP)

REVISIONS	
NAME	DATE

ILLINOIS DEPARTMENT OF TRANSPORTATION
 FAI ROUTE 55
 US 30 (PLAINFIELD ROAD) TO LILY CACHE SLOUGH

**STAGING AND TRAFFIC CONTROL
 FAI 55 - STAGE I
 STA. 562+00.00 TO STA. 589+12.32**

SCALE: 1"=50' DRAWN BY AG
 DATE 07/21/06 CHECKED BY DDH

TENG TENG & ASSOCIATES, INC.
 ENGINEERS/ARCHITECTS/PLANNERS
 CHICAGO, ILLINOIS

PLOT DATE: 07/21/06
 PLOT SCALE: 1"=50'
 USER NAME: DDH