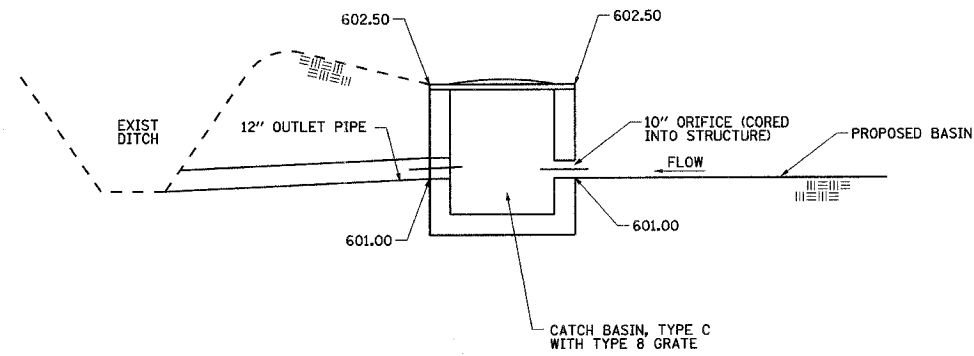


F.A.P. RTE.	SECTION	COUNTY	TOTAL SHEETS	SHEET NO.
55	2006-032 BY	WILL	505	188
STA.		TO STA.		
FED. ROAD DIST. NO.	ILLINOIS	FED. AID PROJECT		
DRUDT 1 OF 3				



DETENTION BASIN
RESTRICTOR STRUCTURE #123

PLOT DATE = 7/19/2006
 FILE NAME = *FILEL*
 PLOT SCALE = *RSLSCALE*
 REFERENCE = *REF*

PARSONS BRINCKERHOFF
 1922
 SMITH ENGINEERING CONSULTANTS, INC.
 www.smithengineering.com

REVISIONS	
NAME	DATE

ILLINOIS DEPARTMENT OF TRANSPORTATION
 I-55
 US 30 (PLAINFIELD ROAD) TO LILY CACHE SLOUGH
 DRAINAGE DETAILS
 DETENTION BASIN RESTRICTOR
 SCALE: N.T.S. DRAWN BY: JPA
 DATE: 07/21/2006 CHECKED BY: TEH