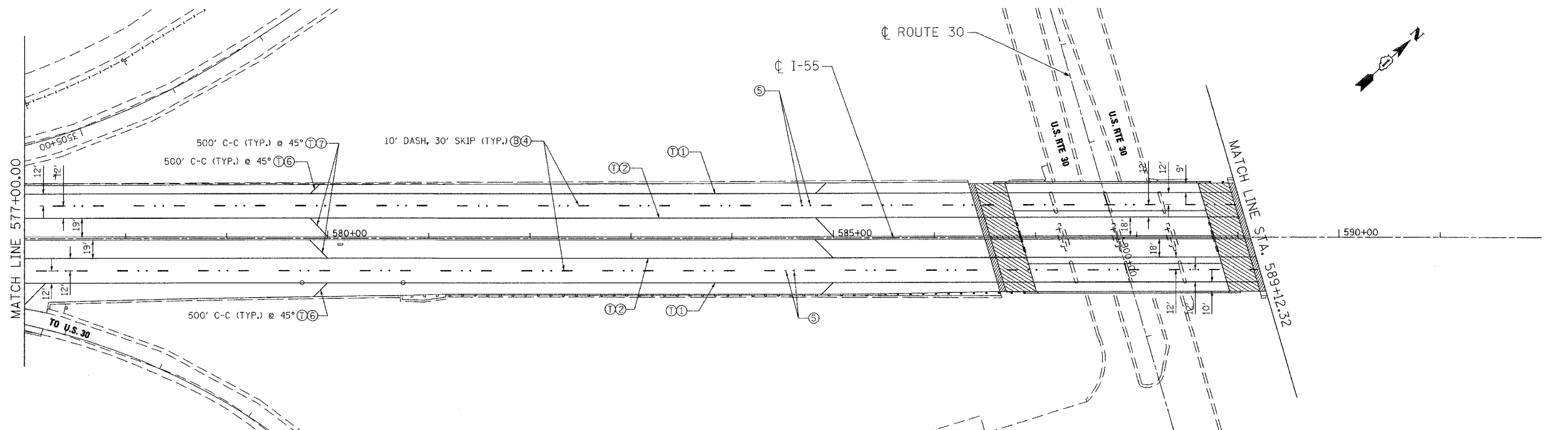
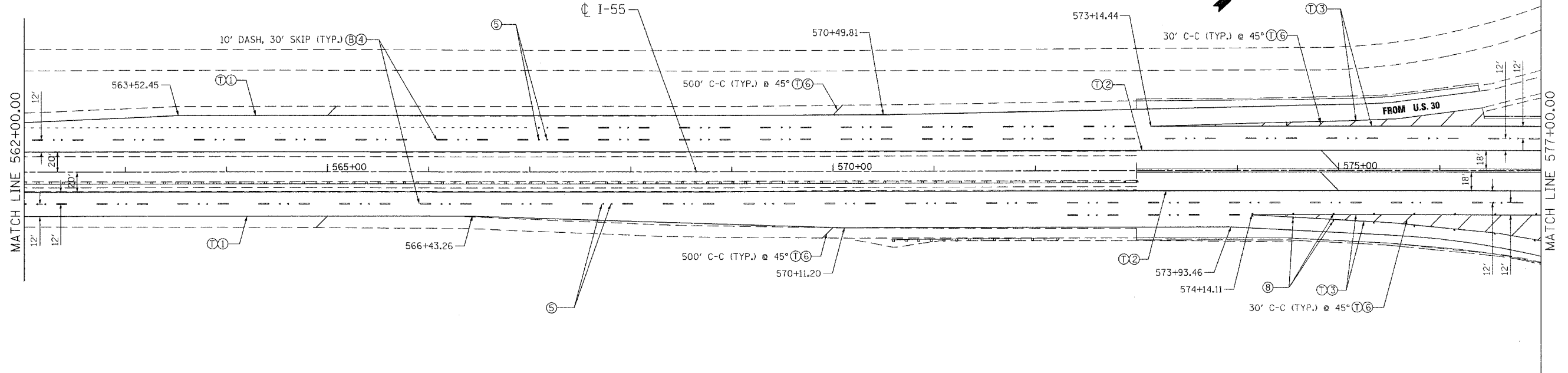


F.A.I. RTE.	SECTION	COUNTY	TOTAL SHEETS	SHEET NO.
55	2006-032 BY	WILL	505	204
STA.		TO STA.		
FED. ROAD DIST. NO.		ILLINOIS FED. AID PROJECT		



PAVEMENT MARKING LEGEND

- | | | |
|--|--|-----------------------------|
| ① PAVEMENT MARKING LINE 4" (WHITE) | ⑥ PAVEMENT MARKING LINE 12" (WHITE) | ① THERMOPLASTIC (EXTRUDED) |
| ② PAVEMENT MARKING LINE 4" (YELLOW) | ⑦ PAVEMENT MARKING LINE 12" (YELLOW) | ② POLYUREA |
| ③ PAVEMENT MARKING LINE 8" (WHITE) | ⑧ RAISED REFLECTIVE PAVEMENT MARKER (SINGLE, ONE-WAY, CRYSTAL MARKERS @ 40' C-C) | ③ PREFORMED PLASTIC, TYPE B |
| ④ PAVEMENT MARKING LINE 5" (WHITE) | ⑨ RAISED REFLECTIVE PAVEMENT MARKER (DOUBLE, ONE-WAY, CRYSTAL MARKERS @ 80' C-C) | |
| ⑤ RAISED REFLECTIVE PAVEMENT MARKER (SINGLE, ONE-WAY, CRYSTAL MARKERS @ 45' C-C) | | |

REVISIONS	
NAME	DATE

ILLINOIS DEPARTMENT OF TRANSPORTATION
 FAI ROUTE 55
 US 30 (PLAINFIELD ROAD) TO LILY CACHE SLOUGH
PAVEMENT MARKING AND SIGNING PLANS
FAI 55
STA. 562+00.00 TO STA. 589+12.32

SCALE: 1"=50'
 DATE 07/05/06
 DRAWN BY MW
 CHECKED BY DDH

TENG TENG & ASSOCIATES, INC.
 ENGINEERS/ARCHITECTS/PLANNERS
 CHICAGO, ILLINOIS

MORCOM, N.V., INC.
 CONSULTING ENGINEERS
 CHICAGO, ILLINOIS

DATE = 07/05/06
 FILE NAME = FILE18
 PLOT SCALE = AS SHOWN
 USER NAME = RUSSE18