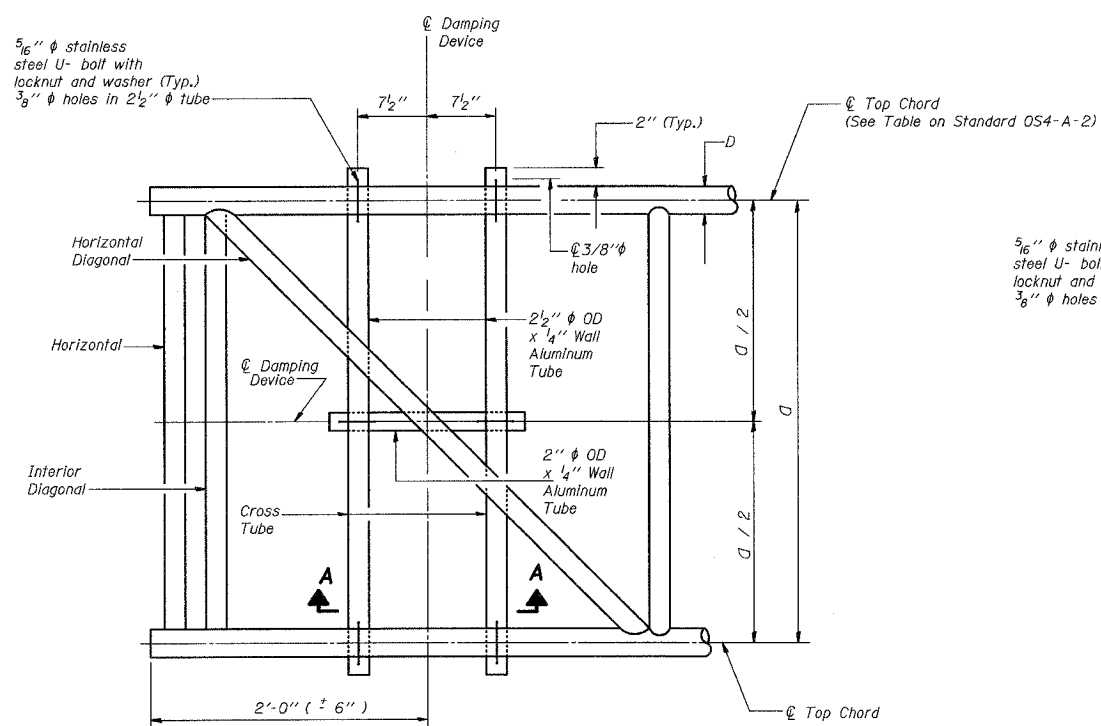
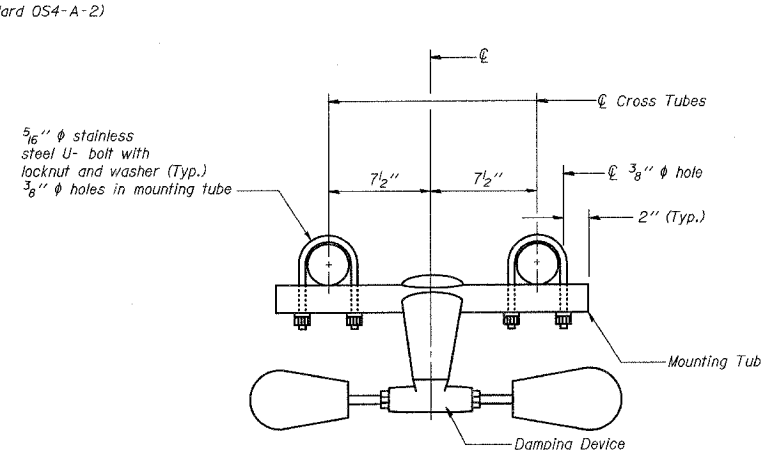


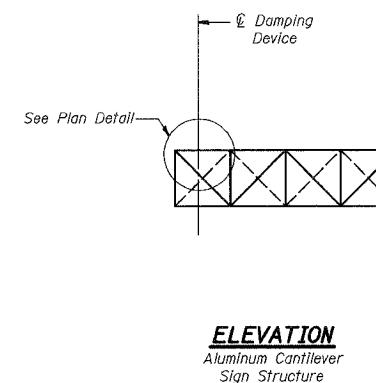
F.A.P. RTE.	SECTION	COUNTY	TOTAL SHEETS	SHEET NO.
55	2006-032 BY	WILL	505	221
STA.		TO STA.		
FED. ROAD DIST. NO.		ILLINOIS	FED. AID PROJECT	
		DETL-221 OF 505		
		CONTRACT NO. 60B86		



**PLAN DETAIL**



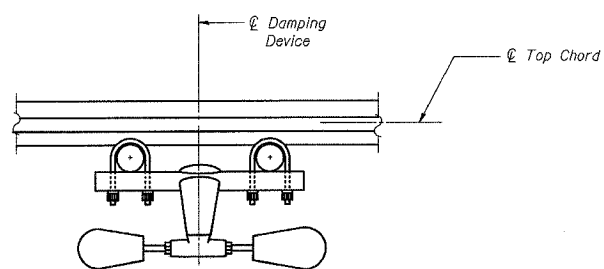
**TRUSS DAMPING DEVICE CONNECTION DETAIL**



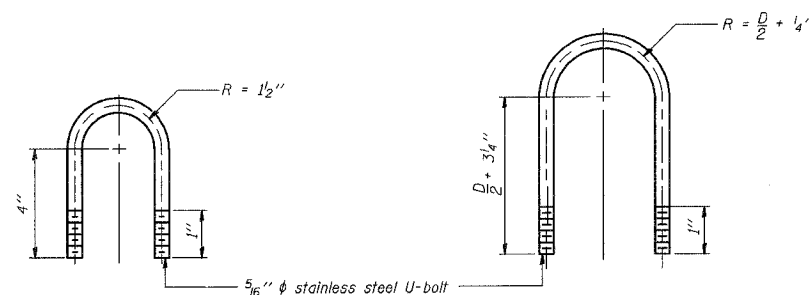
**ELEVATION**  
Aluminum Cantilever Sign Structure

**GENERAL NOTES**

- Damper: One damper per truss. (31 lbs. Stockbridge-Type Aluminum)
- Materials: Aluminum tubes shall be ASTM B221 alloy 6061 Temper T6
- Fasteners: U-bolts shall be produced from ASTM A276 Type, 304, 304L, 316 or 316L, Condition A, cold finish, or an equivalent material acceptable to the Engineer. All nuts shall be stainless steel conforming to ASTM A194, Grade 8 (AISI 8 Type 304) or Grade 8F (AISI Type 303). The nuts shall be "locknuts" with nylon or steel inserts and semifinished hexagonal heads equivalent to the finished hex series of the American National Standards. All washers shall be stainless steel conforming to ASTM A240, Type 302 or 304.



**SECTION A-A**



**DAMPING DEVICE MOUNTING TUBE U-BOLT DETAIL**  
(Typical)

**TOP CHORD TO CROSS TUBE U-BOLT DETAIL**  
(Typical)

**DAVID MASON & ASSOCIATES**  
Civil Engineering  
Structural Engineering  
Surveying  
440 E. Illinois, Suite 640  
Chicago, IL 60611  
(312) 942-9600

**PARSONS BRINCKERHOFF**

REVISIONS	
NAME	DATE

ILLINOIS DEPARTMENT OF TRANSPORTATION  
FAI ROUTE 55  
US 30 (PLAINFIELD ROAD) TO LILY CACHE SLOUGH  
CANTILEVER SIGN STRUCTURES  
DAMPING DEVICE

SCALE: 1" = 50'  
DATE: 06-30-06

DRAWN BY: LC, JS, TC  
CHECKED BY: SE