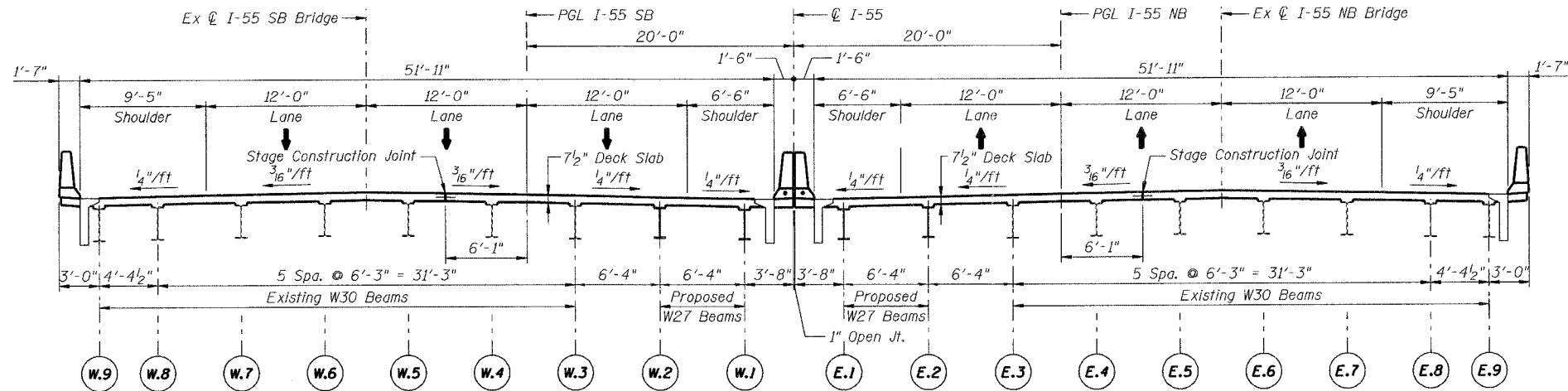
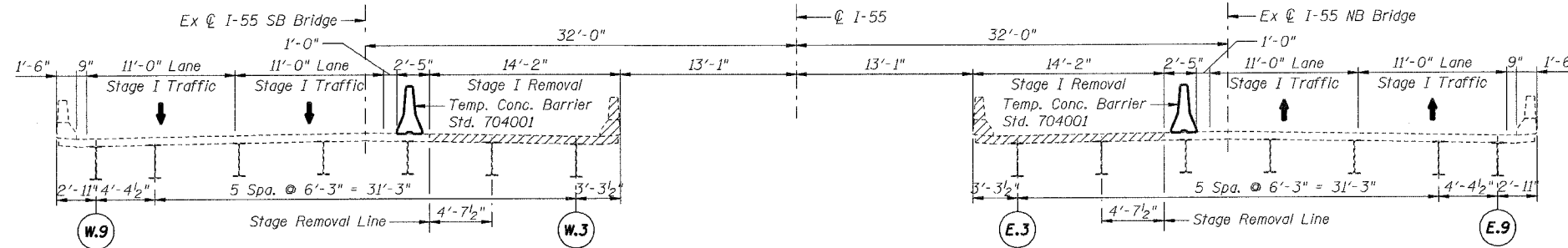


F.A.I. SECTION	COUNTY	TOTAL SHEETS	SHEET NO.
55	2006-032 BY WILL	505	262
STA. TO STA.		FED. ROAD DIST. NO. ILLINOIS FED. AID PROJECT	



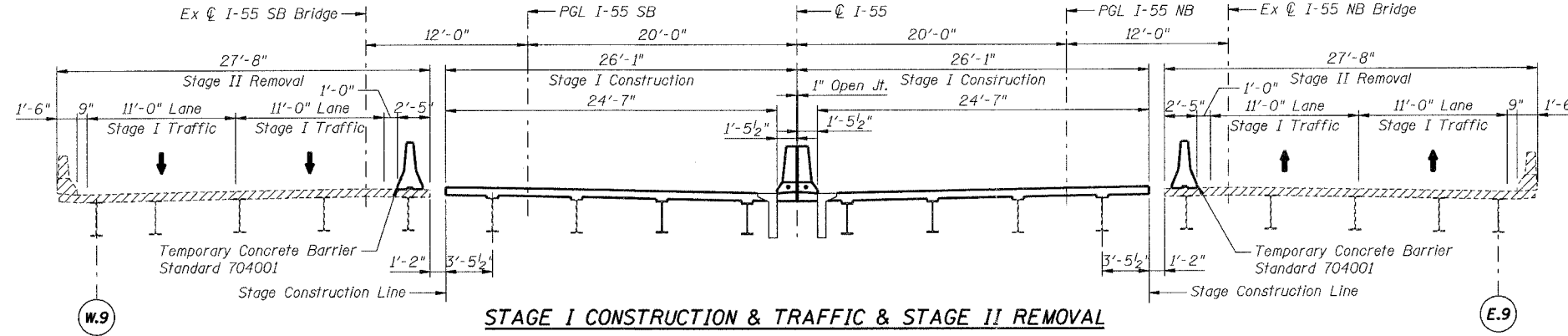
PROPOSED CROSS SECTION

(Looking North)



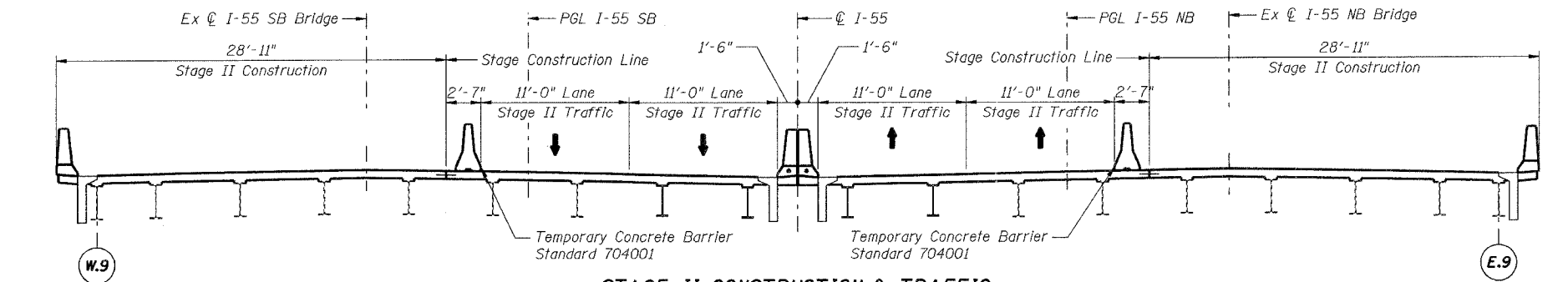
EXISTING STRUCTURES - STAGE I REMOVAL & TRAFFIC

(Looking North)



STAGE I CONSTRUCTION & TRAFFIC & STAGE II REMOVAL

(Looking North)



STAGE II CONSTRUCTION & TRAFFIC

(Looking North)

Note:
 1. The existing deck contains a cathodic protection system. The system and its appurtenances shall be disabled and removed. The cost of this work shall be included with Removal of Existing Concrete Deck. See Sht. SC-5 for location of cathodic protection system electrical box to be removed as a part of this work.

LEGEND:
 Removal of Existing Concrete Deck

SHT. SC-3 OF 38

REVISIONS	
NAME	DATE

ILLINOIS DEPARTMENT OF TRANSPORTATION
 FAI ROUTE 55
 US 30 (PLAINFIELD ROAD) TO LILY CACHE SLOUGH
 SB & NB I-55 OVER US RTE. 30, S.N. 099-0016 & 099-0017
 STA. 587+80.82, SECTION 2006-032 BY
 WILL COUNTY

CONSTRUCTION STAGING

SCALE: DATE: 07/05/06 DRAWN BY: PA CHECKED BY: MJK

TENG TENG & ASSOCIATES, INC. ENGINEERS/ARCHITECTS/PLANNERS CHICAGO, ILLINOIS

MORCOM, N.V., INC.
 CONSULTING ENGINEERS
 CHICAGO, ILLINOIS

PLOT DATE = #DATE# FILE NAME = #FILE# PLOT SCALE = #SCALE# USER NAME = #USER#
 S:\DOCUMENT\02361020\STRUCT\CON\051010666.SHT
 .\BSP91020.DGN, .\BSP91020.DGN
 6-20-2006, 10:04:46