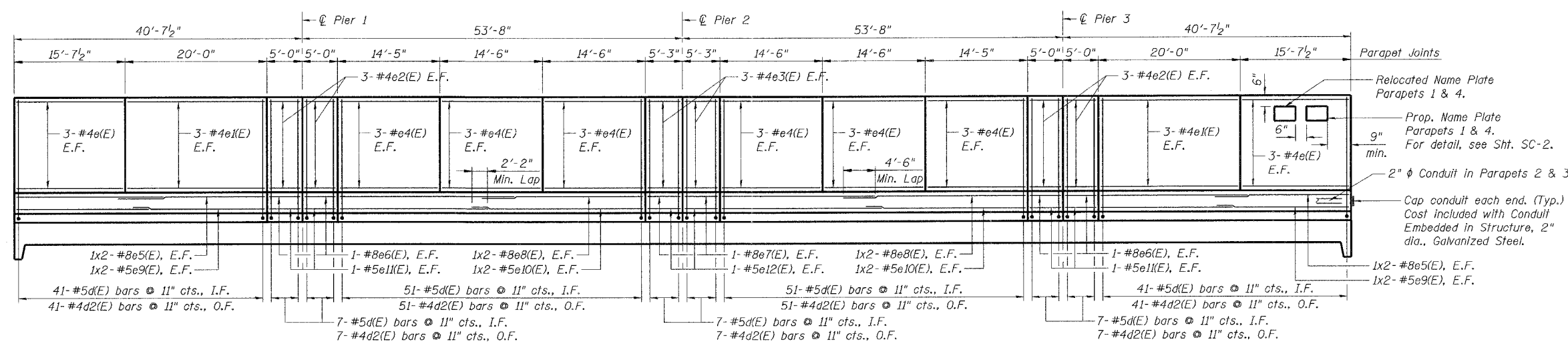
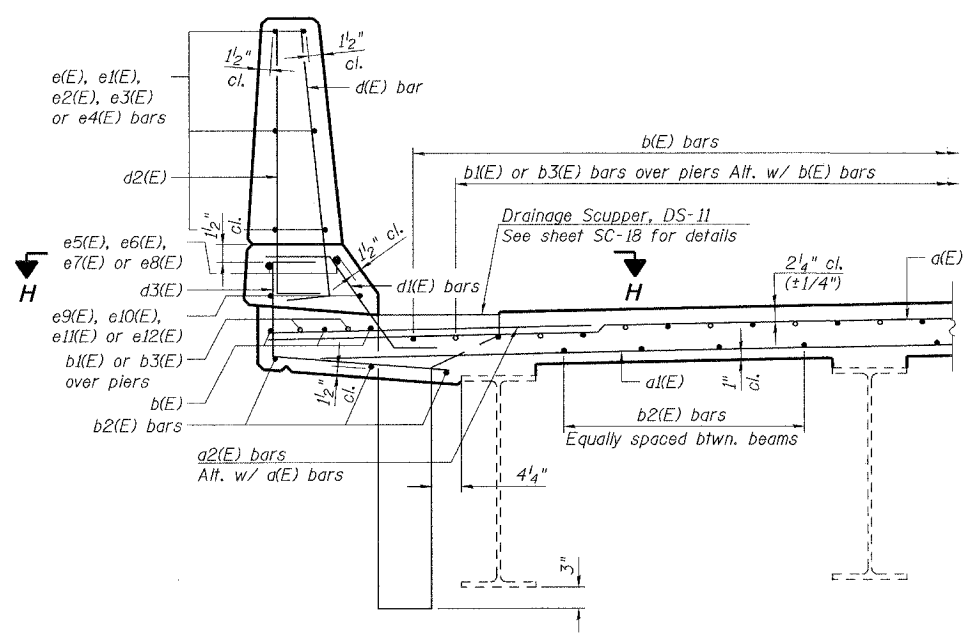


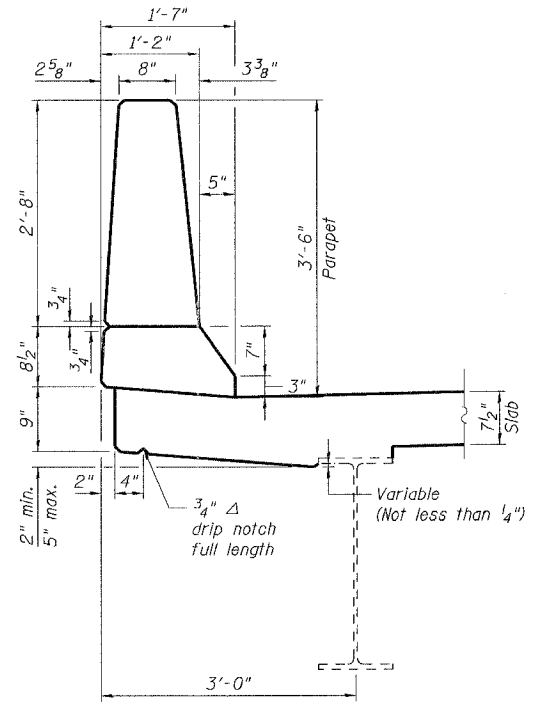
F.A.I. RTE.	SECTION	COUNTY	TOTAL SHEETS	SHEET NO.
55	2006-032 BY	WILL	505	273
STA.		TO STA.		
FED. ROAD DIST. NO.		ILLINOIS	FED. AID PROJECT	



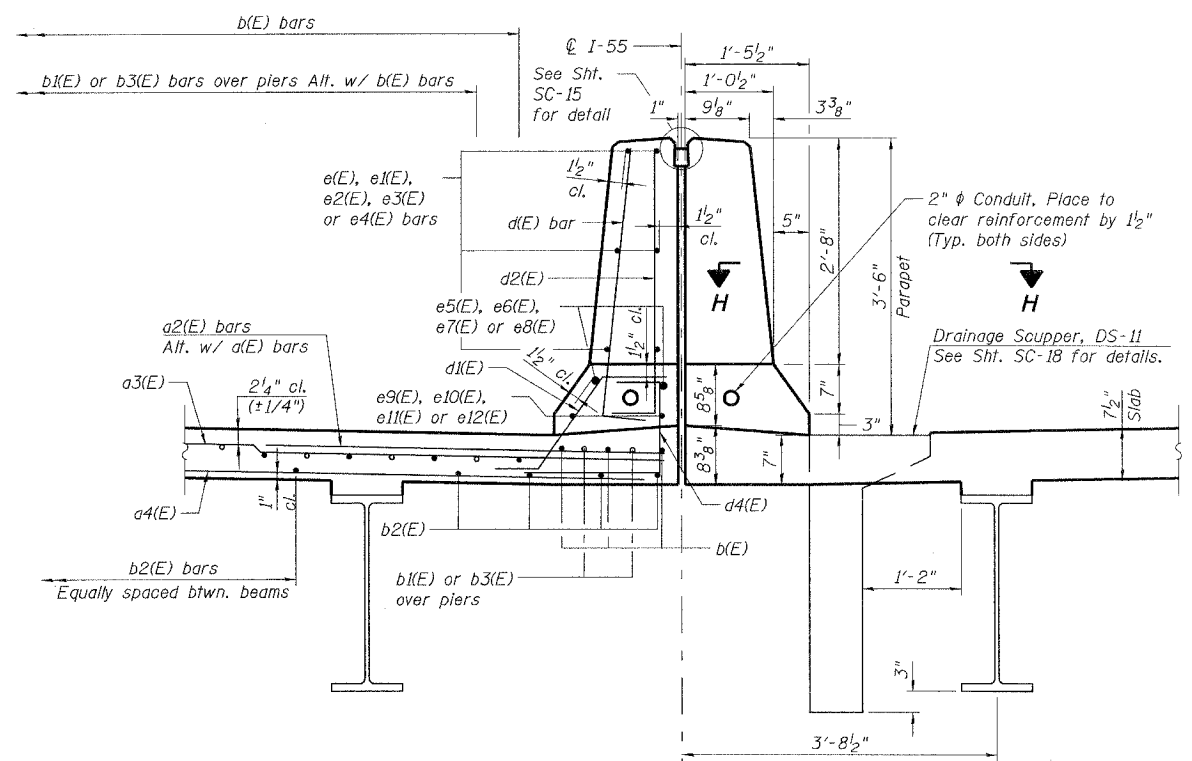
INSIDE ELEVATION OF PARAPET



SECTION THRU OUTSIDE PARAPET
(Showing Reinforcement)



SECTION THRU OUTSIDE PARAPET
(Showing Geometry)



SECTION THRU MEDIAN PARAPETS
(Showing Reinforcement & Geometry)

* Dimensions and bar details are symmetrical about C I-55.

- Notes:**
1. Work this sheet with Shts. SC-12 thru SC-18.
 2. Reinforcement bars designated (E) shall be epoxy coated.
 3. Bars indicated thus, 20x3-#5 etc., indicates 20 lines of bars with 3 lengths per line.

SHT. SC-14 OF 38

REVISIONS	
NAME	DATE

MORCOM, N.V., INC.
CONSULTING ENGINEERS
CHICAGO, ILLINOIS

ILLINOIS DEPARTMENT OF TRANSPORTATION
FAI ROUTE 55
US 30 (PLAINFIELD ROAD) TO LILY CACHE SLOUGH
SB & NB I-55 OVER US RTE. 30, S.N. 099-0016 & 099-0017
STA. 587+80.82, SECTION 2006-032 BY
WILL COUNTY

PARAPET ELEVATION & SECTIONS

SCALE: DRAWN BY PA
DATE 07/21/06 CHECKED BY MJK

TENG

TENG & ASSOCIATES, INC.
ENGINEERS/ARCHITECTS/PLANNERS
CHICAGO, ILLINOIS

PLOT DATE = 07/21/06
 PLOT SCALE = 1/4" = 1'-0"
 USER NAME = USER6
 7-18-2006, 17:45:54
 BA:ZKJKJ
 S:\DOCUMENT\2006\STRUCT\DOCS\SUBDRG6-SHT