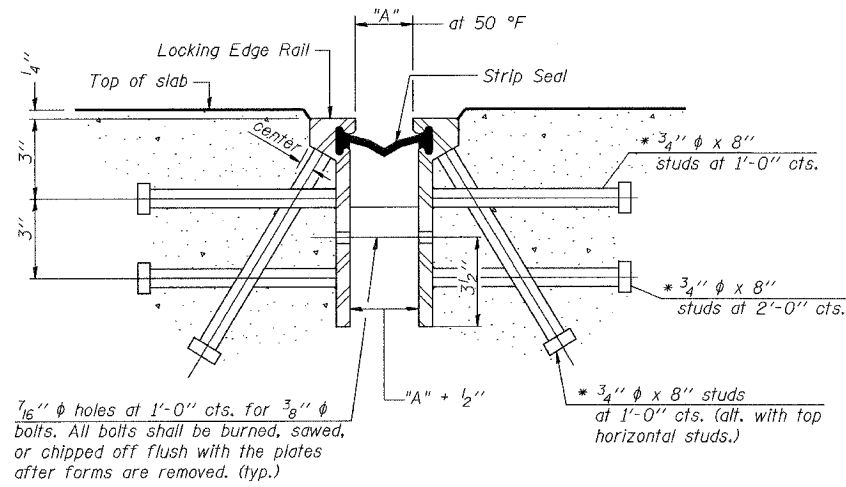
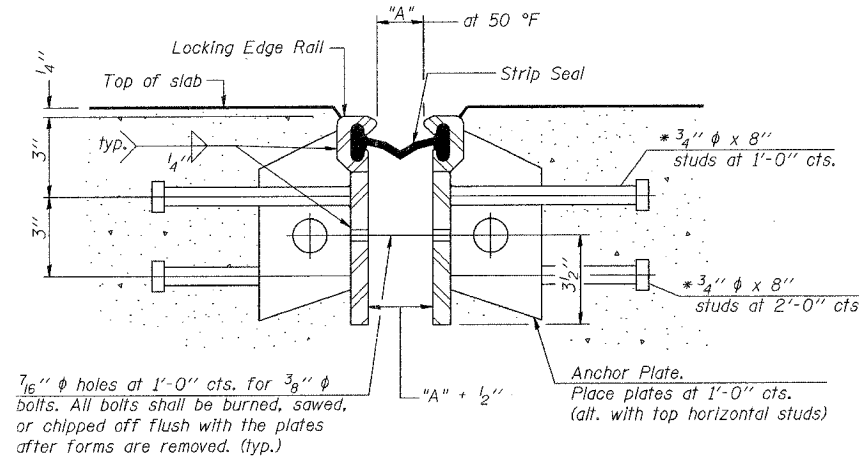


F.A.I. RTE.	SECTION	COUNTY	TOTAL SHEETS	SHEET NO.
55	2006-032 BY	WILL	505	276
STA.		TO STA.		
FED. ROAD DIST. NO.		ILLINOIS FED. AID PROJECT		



Required Strip Seal rated movement	"A"
1"	1/8"
2"	1 3/4"



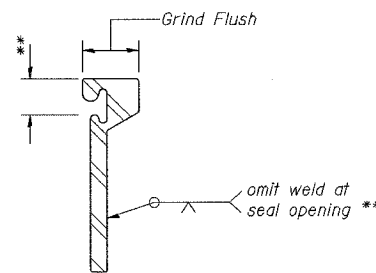
**SECTION THRU ROLLED RAIL EXP. JOINT**  
(1,080 Studs Required)

**SECTION THRU WELDED RAIL EXP. JOINT**  
(664 Studs Required)  
(416 Anchor Plates Required)

\* Granular or solid flux filled headed studs conforming to Article 1006.32 of the Std. Specs., automatically end welded.

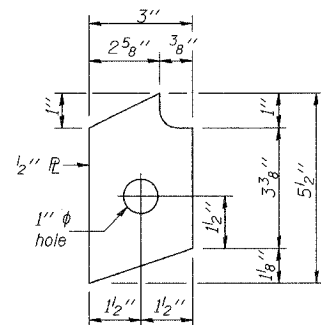
**GENERAL NOTES**

The strip seal shall be made continuous and shall have a minimum thickness of 1/4". The configuration of the strip seal shall match the configuration of the Locking Edge Rails.  
The height and thickness of the Locking Edge Rails shown are minimum dimensions. The actual configuration of the Locking Edge Rails and matching strip seal may vary from manufacturer to manufacturer. Flanged edge rails will not be allowed.  
Locking Edge Rails may be spliced at slope discontinuities and stage construction joints.  
The manufacturer's recommended installation methods shall be followed.  
The joint opening and deck dimensions detailed on the superstructure are based on a preformed joint seal. If the contractor elects to use the alternate strip seal joint, the opening and deck dimensions shall be modified according to the dimensions detailed on this sheet. Required modifications shall be made at no additional cost to the State.

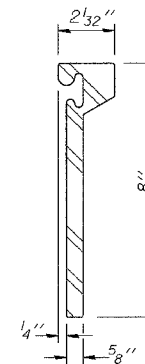


**LOCKING EDGE RAIL SPLICE**

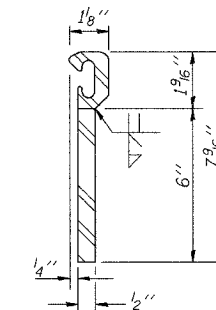
The inside of the locking edge rail groove shall be free of weld residue.



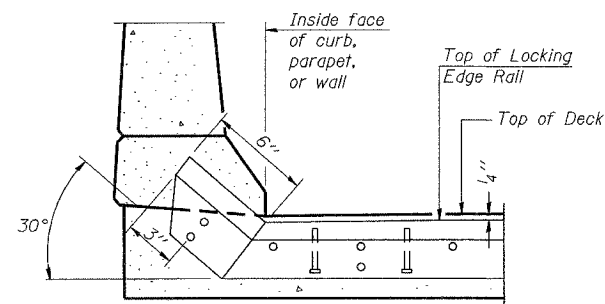
**ANCHOR PLATE**  
(for welded rail)



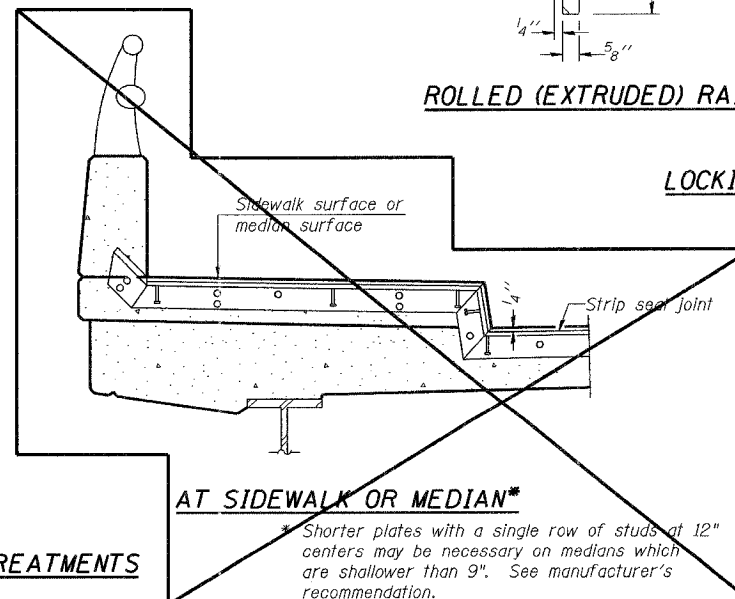
**ROLLED (EXTRUDED) RAIL**



**WELDED RAIL**



**AT CURB, PARAPET, OR WALL**



**AT SIDEWALK OR MEDIAN\***

**TYPICAL END TREATMENTS**

**LOCKING EDGE RAILS**

(Sheet 2 of 2)  
**BRIDGE JOINT SYSTEM - EXPANSION**  
**(ALTERNATE - STRIP SEAL)**

ILLINOIS DEPARTMENT OF TRANSPORTATION  
FAI ROUTE 55  
US 30 (PLAINFIELD ROAD) TO LILY CACHE SLOUGH  
SB & NB I-55 OVER US RTE. 30, S.N. 099-0016 & 099-0017  
STA. 587+80.82, SECTION 2006-032 BY  
WILL COUNTY

**EXPANSION JOINT DETAILS - II**

SHT. SC-17 OF 38

REVISIONS	
NAME	DATE

SCALE: DATE 07/05/06  
DRAWN BY PA  
CHECKED BY MJK

**TENG**  
TENG & ASSOCIATES, INC.  
ENGINEERS/ARCHITECTS/PLANNERS  
CHICAGO, ILLINOIS

**MORCOM, N.V., INC.**  
CONSULTING ENGINEERS  
CHICAGO, ILLINOIS

PLOT DATE = 04/05/04  
 FILE NAME = EJ-BJS  
 PLOT SCALE = 1/8" = 1'-0"  
 USER NAME = MURPHY