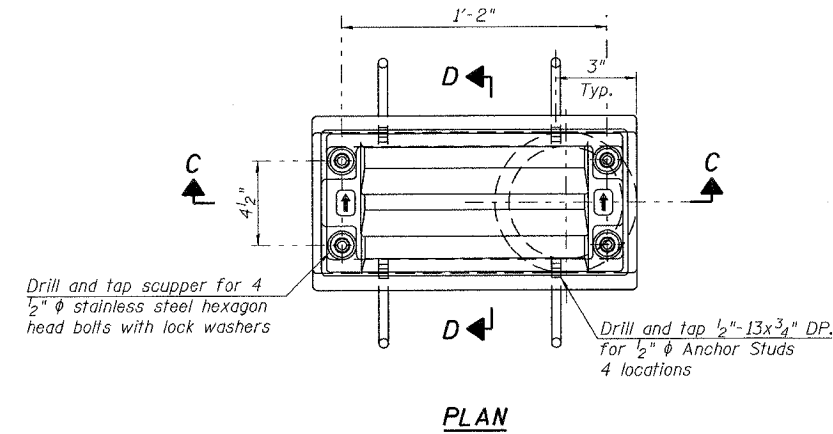
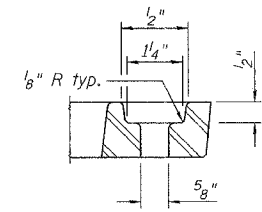


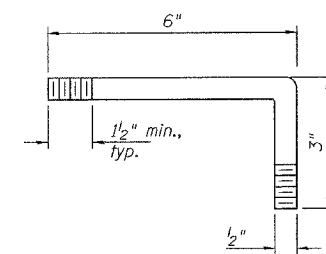
F.A.I. RTE.	SECTION	COUNTY	TOTAL SHEETS	SHEET NO.
55	2006-032 BY	WILL	505	277
STA.		TO STA.		
FED. ROAD DIST. NO.		ILLINOIS FED. AID PROJECT		



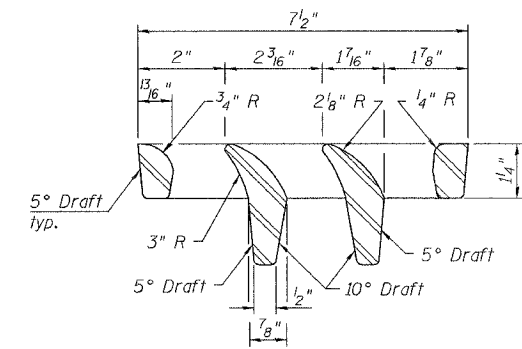
PLAN



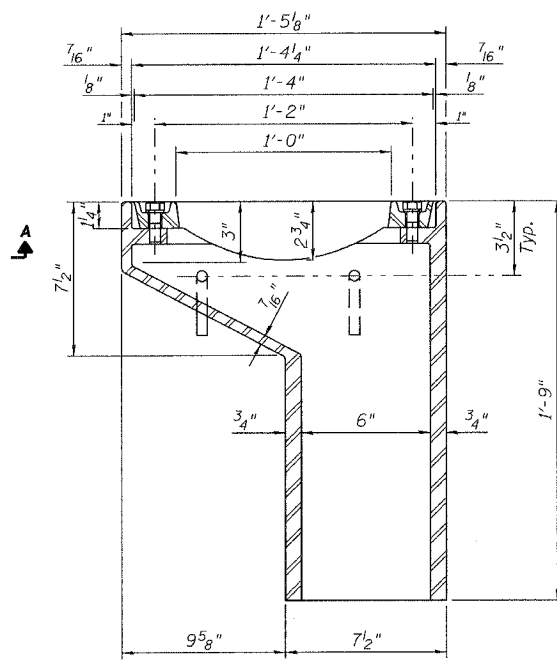
BOLT HOLE DETAIL



ANCHOR STUD DETAIL

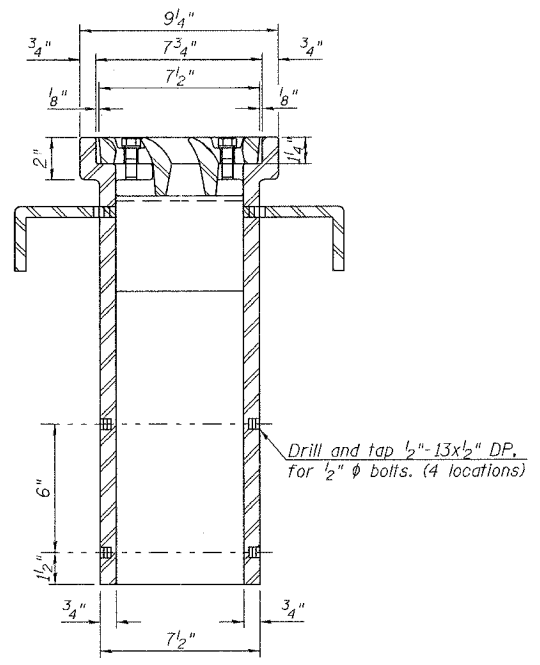


VANE GRATE DETAIL



SECTION C-C

See Sht. SC-14 for scupper location relative to parapet.



SECTION D-D

Notes:

- All cast iron parts shall be gray iron conforming to the requirements of AASHTO M 105, Class 35B.
- Bolts, anchor studs, washers and nuts shall conform to the requirements of ASTM A 307 and shall be galvanized according to AASHTO M 232.
- The grate, frame and downspout shall be galvanized according to AASHTO M 111 and ASTM A 385. Downspouts located on the exterior side of a painted steel fascia beam shall be painted with the finish coat specified for the exterior side of the fascia beam.
- As an alternate, bolts, anchor studs, washers and nuts may be stainless steel according to Article 1006.29(d) of the Standard Specifications.
- Structural steel weldments of equal sections and of the same configuration may be substituted for cast iron. Fillet or full penetration welds shall be used for the weldments. Details shall be submitted to the Engineer for approval.
- The Contractor shall take appropriate measures to assure that Protective Coat is not applied to the scupper.
- Cost of the Grate, Frame, Downspout, Anchor Studs, Bolts, Washers and Nuts including complete installation of the scupper shall be paid for at the contract unit price each for Drainage Scupper, DS-11.

BILL OF MATERIAL

Item	Unit	Total
Drainage Scupper, DS-11	Each	24

SHT. SC-18 OF 38

REVISIONS	
NAME	DATE

ILLINOIS DEPARTMENT OF TRANSPORTATION
 FAI ROUTE 55
 US 30 (PLAINFIELD ROAD) TO LILY CACHE SLOUGH
 SB & NB I-55 OVER US RTE. 30, S.A. 099-0016 & 099-0017
 STA. 587+80.82, SECTION 2006-032 BY
 WILL COUNTY

SCUPPER DETAILS

SCALE: _____ DRAWN BY PA
 DATE 07/05/06 CHECKED BY MJK

MORCOM, N.V., INC.
 CONSULTING ENGINEERS
 CHICAGO, ILLINOIS

TENG
 TENG & ASSOCIATES, INC.
 ENGINEERS/ARCHITECTS/PLANNERS
 CHICAGO, ILLINOIS

PLOT DATE = 07/05/06
 FILE NAME = SCUPPER.DWG
 PLOT SCALE = AS SHOWN
 USER NAME = MJK
 S:\DOCUMENTS\2006\1506\13\GARCIA\AZ
 8-11-02