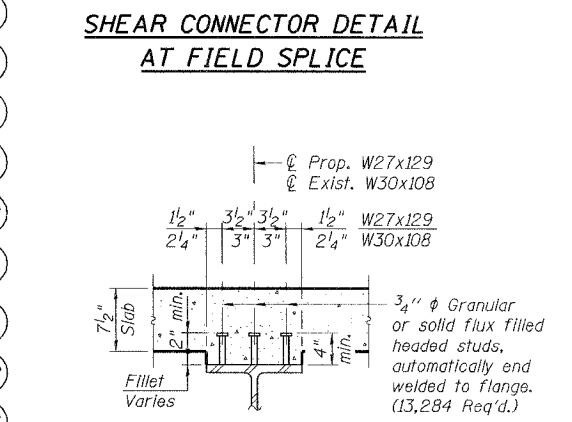
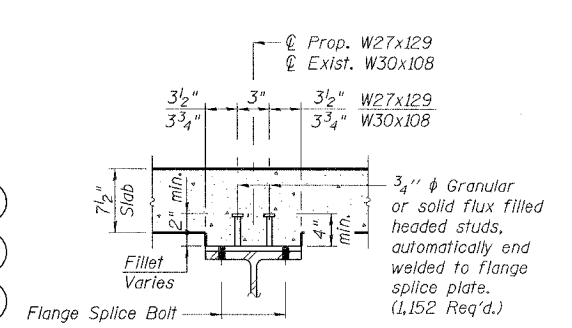
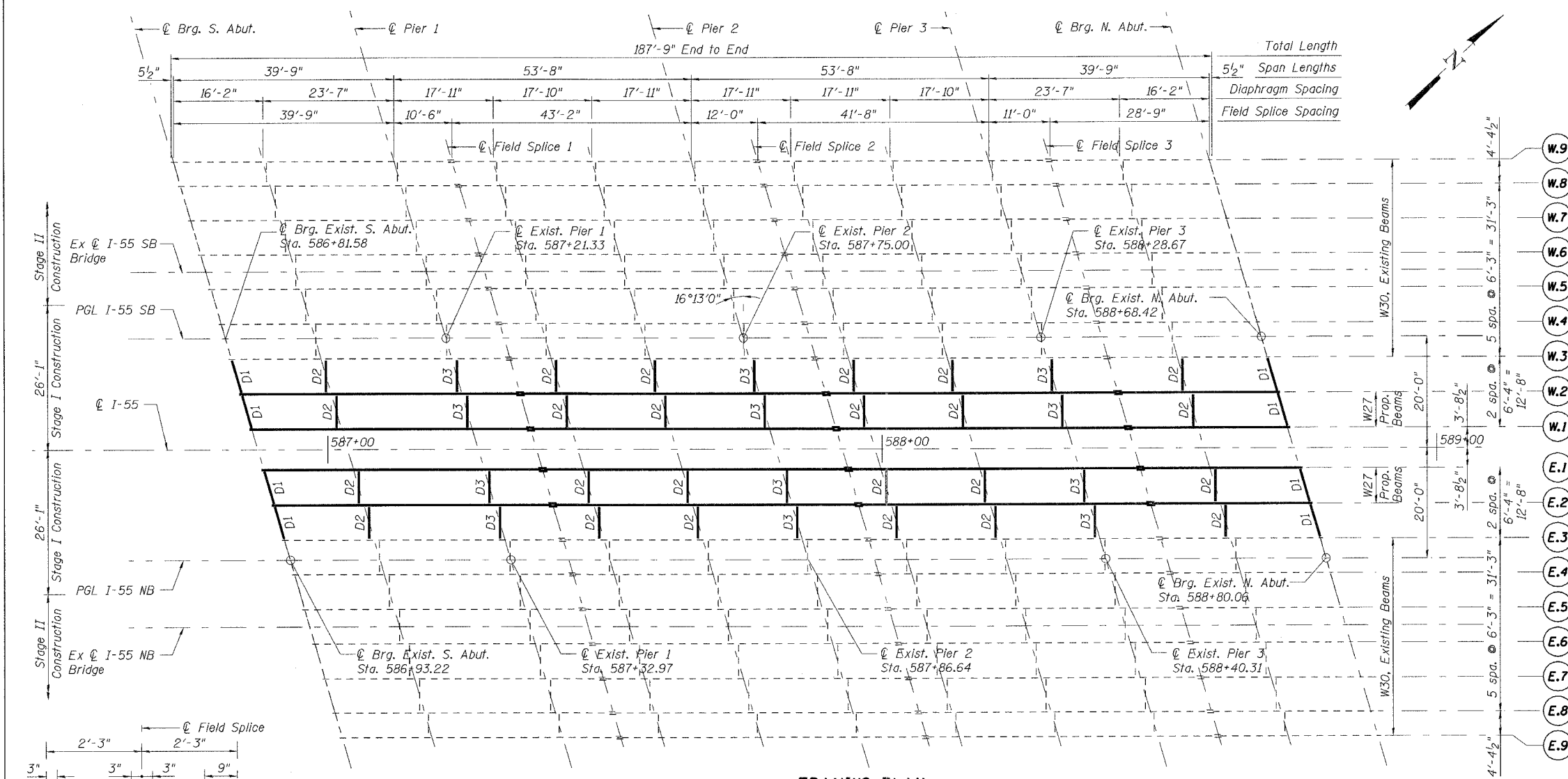


CONTRACT NO. 60886			
F.A.1. SECTION	COUNTY	TOTAL SHEETS	SHEET NO.
55	2006-032 BY WILL	505	278
STA. TO STA.			
FED. ROAD DIST. NO.	ILLINOIS	FED. AID PROJECT	

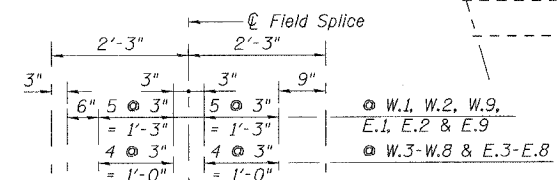


**SHEAR CONNECTOR DETAIL**  
AT FIELD SPLICE

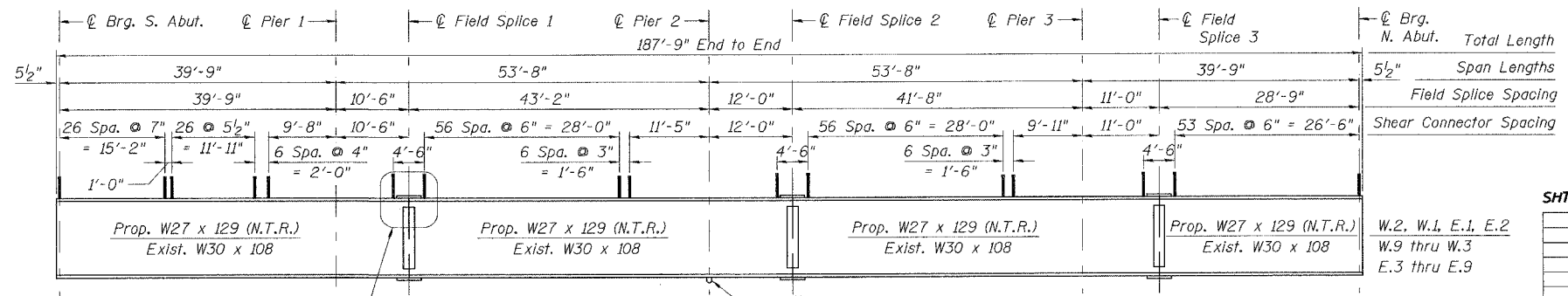
**BILL OF MATERIAL**

Item	Unit	Total
Shear Stud Connectors	Each	14,436

- Notes:**
1. N.T.R. denotes steel is subject to Supplemental Requirements for Notch Toughness (Zone 2).
  2. For field splice details, see Sht. SC-20.
  3. For diaphragm details, see Sht. SC-21.
  4. Rocker plate of fixed bearing welded by Fabrication Contractor. See Sht. SC-22 for this detail.



**DETAIL A**  
(Flange Splice Bolts not shown for Clarity)



**BEAM ELEVATION**

**SHT. SC-19 OF 38**

REVISIONS	
NAME	DATE

ILLINOIS DEPARTMENT OF TRANSPORTATION  
 FAL ROUTE 55  
 US 30 (PLAINFIELD ROAD) TO LILY CACHE SLOUGH  
 SB & NB I-55 OVER US RTE. 30, S.N. 099-0016 & 099-0017  
 STA. 587+80.82, SECTION 2006-032 BY  
 WILL COUNTY

**FRAMING PLAN & BEAM ELEVATION**

SCALE: DRAWN BY PA  
 DATE 07/21/06 CHECKED BY MJK

**TENG**  
 TENG & ASSOCIATES, INC.  
 ENGINEERS/ARCHITECTS/PLANNERS  
 CHICAGO, ILLINOIS

**MORCOM, N.V., INC.**  
 CONSULTING ENGINEERS  
 CHICAGO, ILLINOIS

PLOT DATE = 08/17/06  
 PLOT SCALE = 1/8" = 1'-0"  
 USER NAME = MUSER