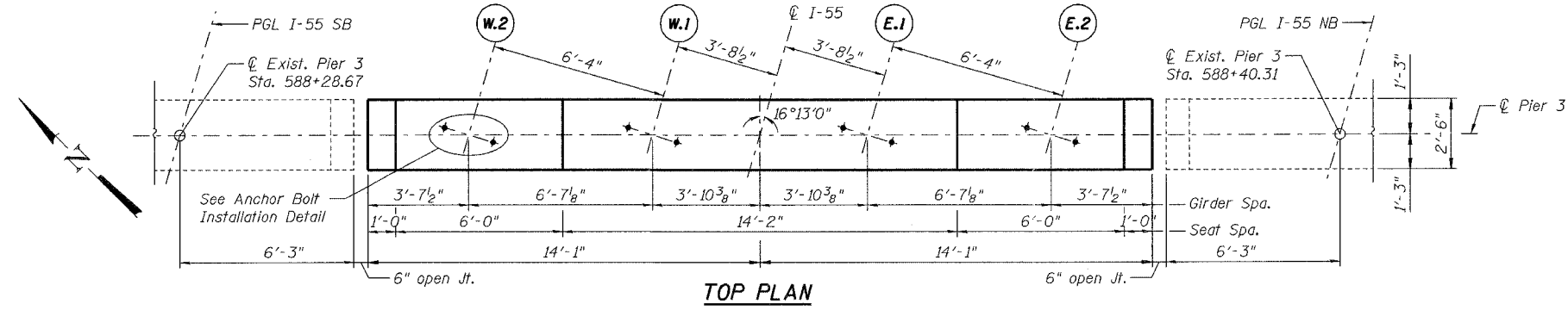
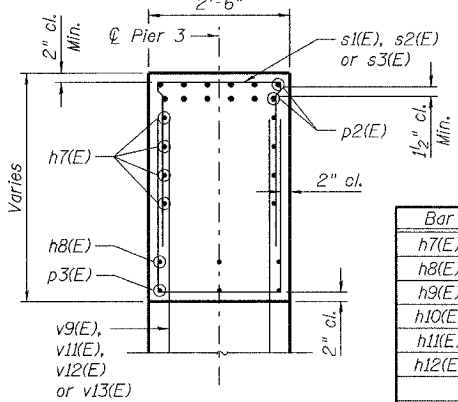


F.A.I. RTE.	SECTION	COUNTY	TOTAL SHEETS	SHEET NO.
55	2006-032 BY	WILL	505	289
STA.	TO STA.			
FED. ROAD DIST. NO.	ILLINOIS	FED. AID PROJECT		



TOP PLAN



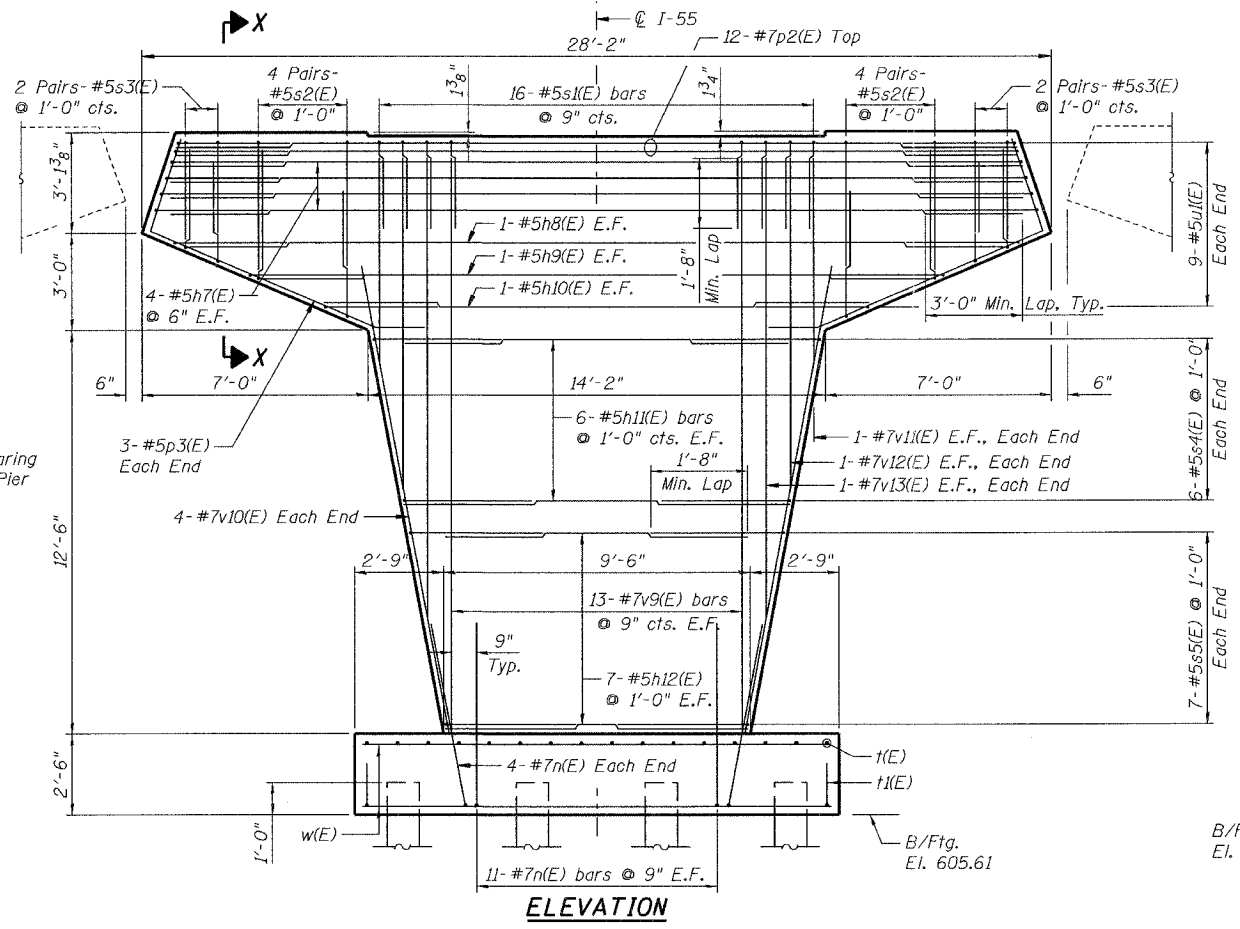
SECTION X-X

BAR LIST

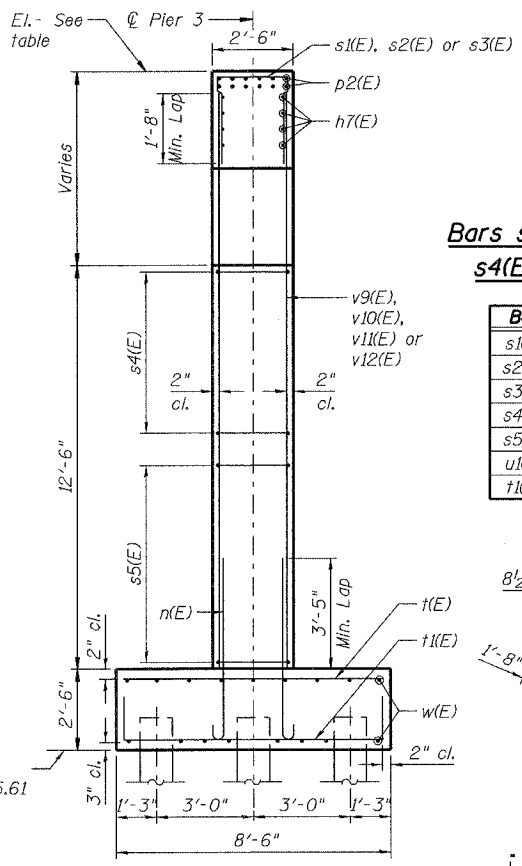
Bar	No.	Size	Length	Shape
h7(E)	8	#5	26'-10"	
h8(E)	2	#5	26'-7"	
h9(E)	2	#5	22'-0"	
h10(E)	2	#5	17'-4"	
h11(E)	12	#5	11'-10"	
h12(E)	14	#5	9'-3"	
n(E)	30	#7	6'-5"	
p2(E)	12	#7	26'-0"	
p3(E)	6	#5	12'-2"	
s1(E)	16	#5	6'-10"	
s2(E)	16	#5	10'-6"	
s3(E)	8	#5	8'-2"	
s4(E)	12	#5	9'-8"	
s5(E)	14	#5	7'-6"	
t(E)	16	#5	8'-2"	
t1(E)	14	#8	10'-10"	
u1(E)	18	#5	9'-2"	
v9(E)	26	#7	17'-8"	
v10(E)	8	#7	14'-11"	
v11(E)	2	#7	6'-1"	
v12(E)	2	#7	10'-1"	
v13(E)	2	#7	14'-1"	
w(E)	17	#5	14'-8"	

Bearing Seat Elevation

Beams	Elevation
W.2	626.73
W.1	626.61
E.1	626.61
E.2	626.74



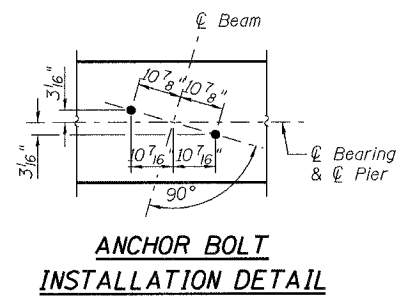
ELEVATION



END VIEW

Bars s1(E), s2(E), s3(E), s4(E), s5(E) & u1(E)

Bar	A	B
s1(E)	2'-8"	2'-2"
s2(E)	4'-2"	2'-2"
s3(E)	3'-0"	2'-2"
s4(E)	3'-9"	2'-2"
s5(E)	2'-8"	2'-2"
u1(E)	3'-6"	2'-2"
t1(E)	1'-4"	8'-2"



ANCHOR BOLT INSTALLATION DETAIL

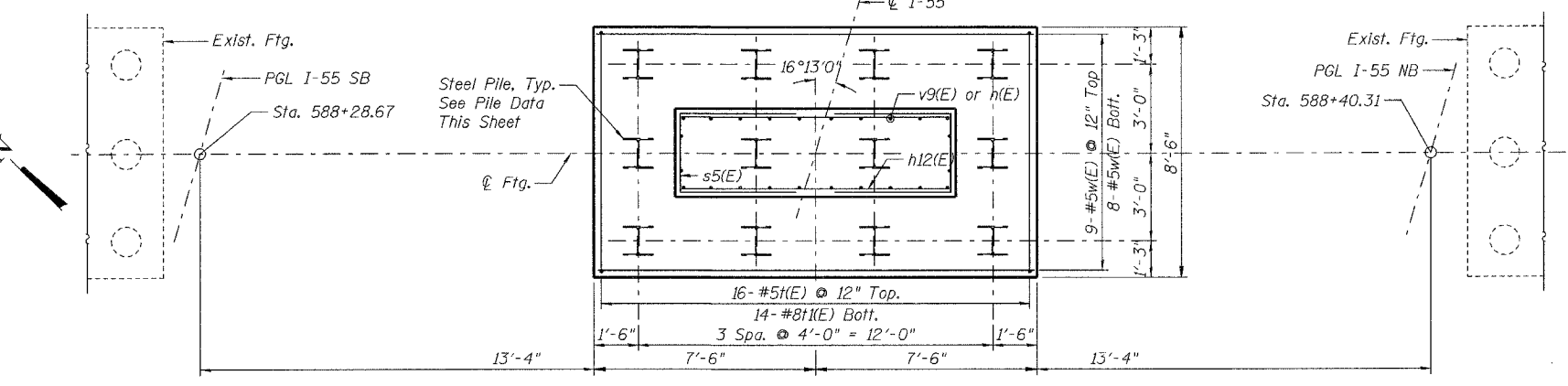
PILE DATA

Type: Steel HP12x53 w/ Metal Shoes
 Design Capacity: Driven to Refusal
 Required Bearing: -
 Estimated Length: 28.9 ft
 Number Required: 11 + 1 Test Pile

BILL OF MATERIAL

Item	Unit	Total
Concrete Structures	Cu. Yd.	39.2
Reinforcement Bars, Epoxy Coated	Pound	4,620
Furnishing Steel Piles, HP12x53	Foot	308
Driving Steel Piles	Foot	308
Test Pile Steel HP12x53	Each	1
Metal Shoes	Each	11
Braced Excavation	Cu. Yd.	44

- Notes:**
1. Reinforcement bars designated (E) shall be epoxy coated.
 2. Space reinforcement in piers to miss anchor bolts.
 3. Four steps monolithically with cap.
 4. All edges shall have standard 3/4" chamfers, except as noted.
 5. E.F. indicates Each Face.
 6. See Sht. SC-22 for bearing details.
 7. See Sht. SC-23 for anchor bolt details.



FOOTING PLAN

SHT. SC-30 OF 38

REVISIONS	
NAME	DATE

ILLINOIS DEPARTMENT OF TRANSPORTATION
 FAI ROUTE 55
 US 30 (PLAINFIELD ROAD) TO LILY CACHE SLOUGH
 SB & NB I-55 OVER US RTE. 30, S.N. 099-0016 & 099-0017
 STA. 587+80.82, SECTION 2006-032 BY
 WILL COUNTY

PIER 3 WIDENING

SCALE: DATE 07/05/06 DRAWN BY PA CHECKED BY MJK
 TENG ENGINEERS/ARCHITECTS-PLANNERS CHICAGO, ILLINOIS

MORCOM, N.V., INC.
 CONSULTING ENGINEERS
 CHICAGO, ILLINOIS

PLOT DATE = #DATE#
 FILE NAME = #FILE#
 PLOT SCALE = #SCALE#
 USER NAME = #USER#