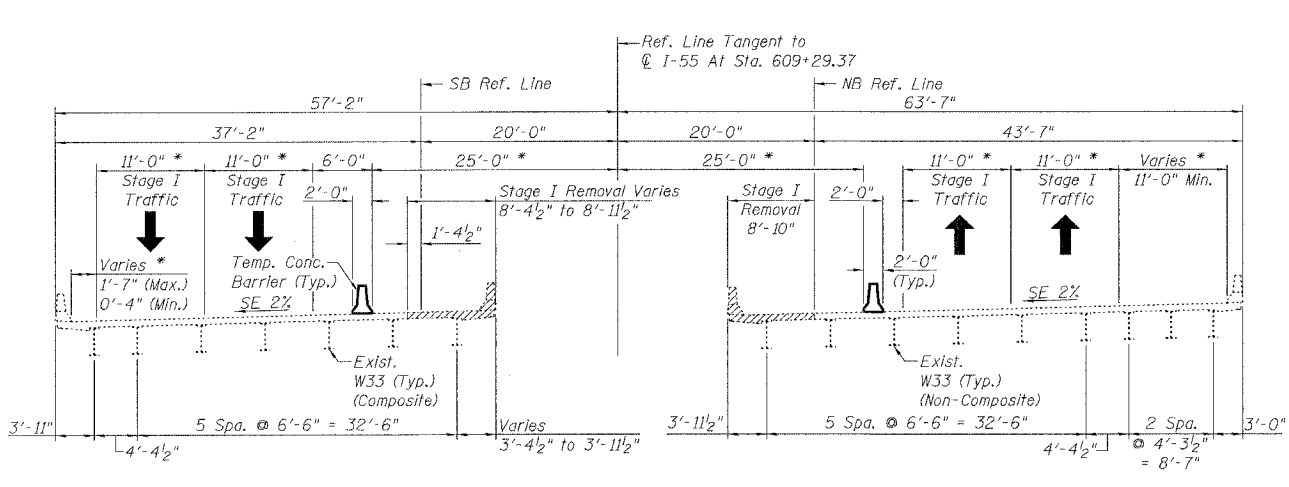


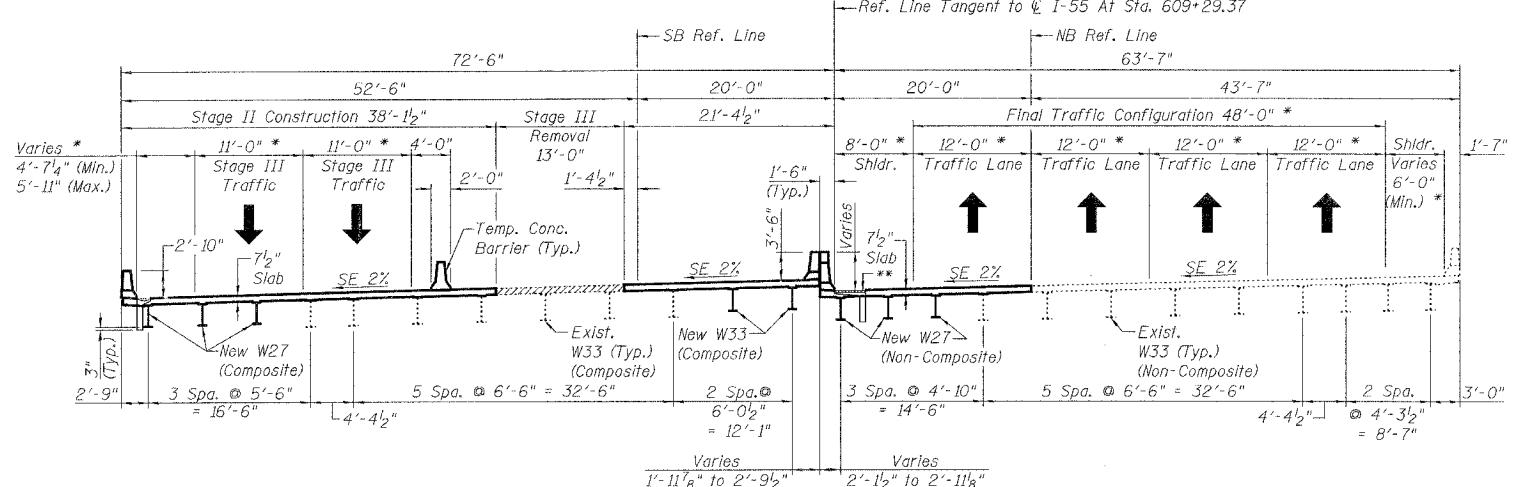
STATE OF ILLINOIS
DEPARTMENT OF TRANSPORTATION

ROUTE NO.	SECTION	COUNTY	SHEET	SHEET NO.
FAI-55	**	WILL	505	300
44 SHEETS				

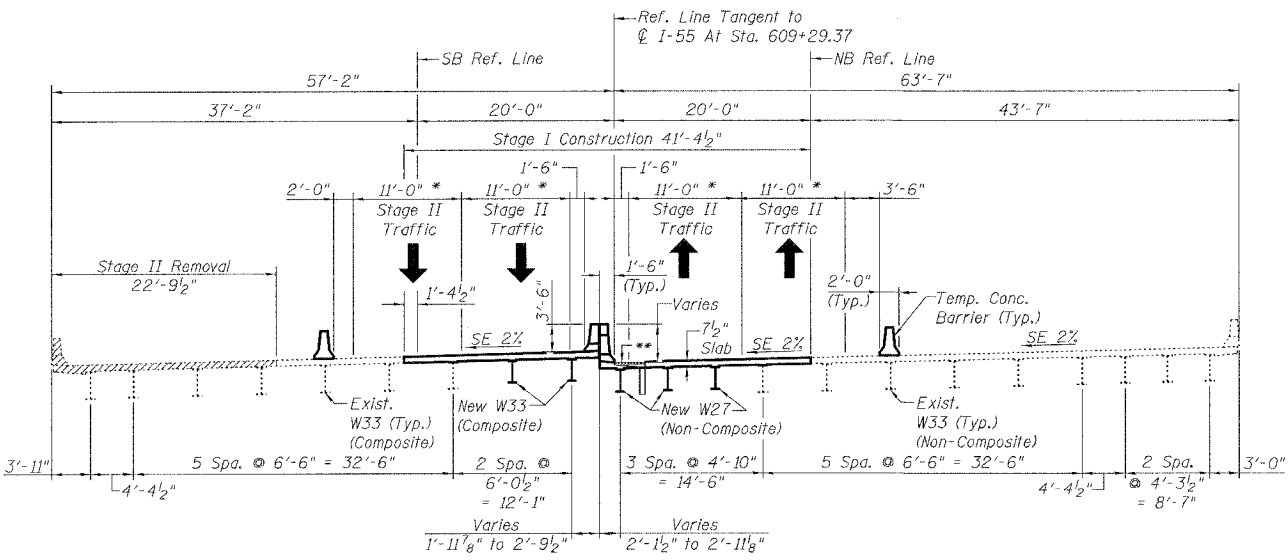
** SECTION 2006-032 BY
CONTRACT NO. 60B86



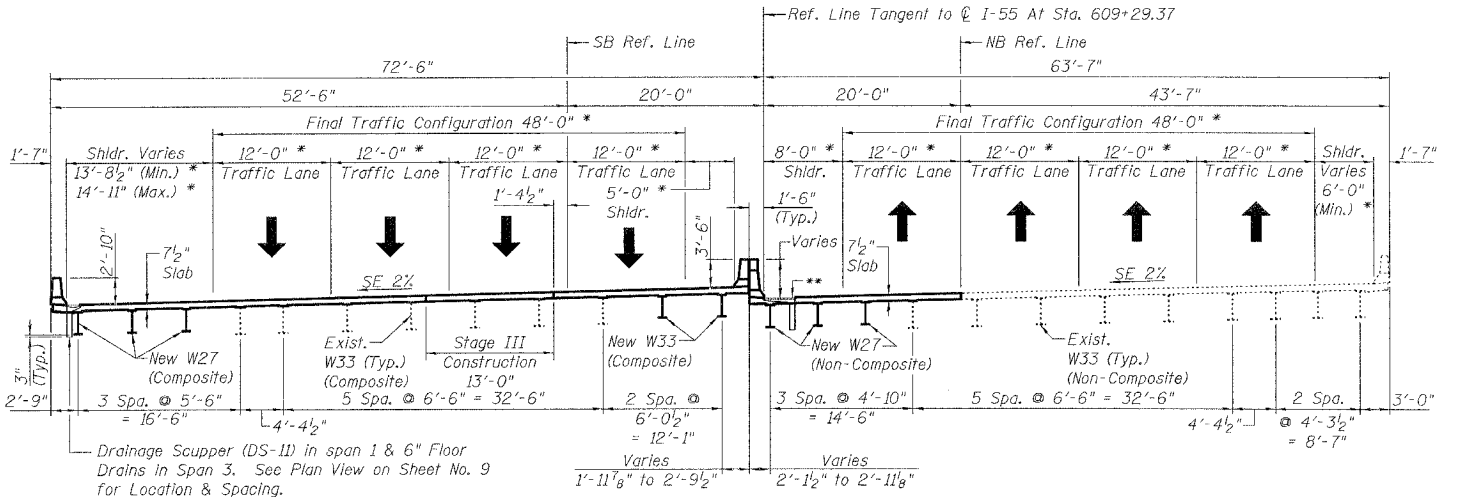
STAGE I REMOVAL



STAGE II CONSTRUCTION / STAGE III REMOVAL



STAGE I CONSTRUCTION / STAGE II REMOVAL



STAGE III CONSTRUCTION / PROPOSED SECTION

- Notes:
1. For Temporary Concrete Barrier Details, See Sheet No. 37.
 2. * Designates radial dimensions normal to ϕ I-55.
 3. ** Designates Drainage Scupper (DS-33) in Span 1 and 6" Floor Drains in Span 3. See Plan View on Sheet No. 10 for location and spacing.
 4. All Cross Sections are Looking North.

LEGEND

Hatched Area Indicates SB Removal of Existing Concrete Deck & NB Concrete Removal

BILL OF MATERIAL

ITEM	UNIT	TOTAL
Removal of Existing Concrete Deck	Each	1
Concrete Removal	Cu. Yd.	55.3

DESIGNED	S.CHELBIAN
CHECKED	J.GRAINAWI
DRAWN	S.CHELBIAN
CHECKED	J.GRAINAWI

STAGE CONSTRUCTION
I-55 OVER E&E R.R.
FAI ROUTE 55-SEC. 2006-032 BY
WILL COUNTY
STA. 609+29.37
STRUCTURE NO. 099-0018 (NB)
STRUCTURE NO. 099-0019 (SB)



6/30/2006 4:48:36 PM C:\16817\Struct\Cadd\Pre-Final\IE&E RRV\Final Bridge Contract\092006-60B86-000-000-003.dgn