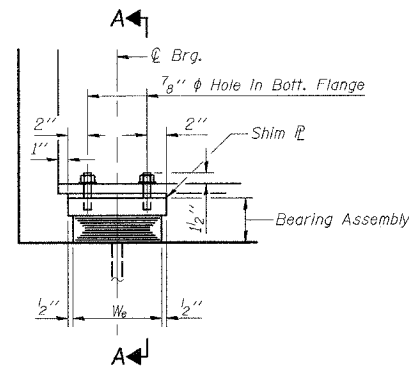


STATE OF ILLINOIS
DEPARTMENT OF TRANSPORTATION

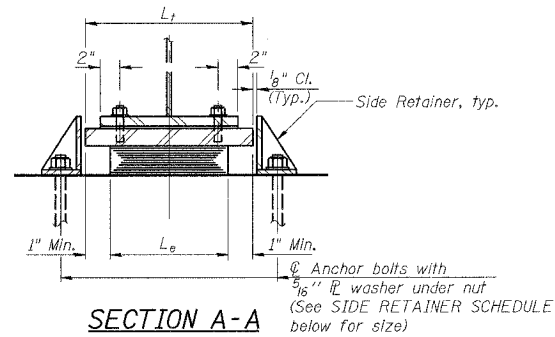
ROUTE NO.	SECTION	COUNTY	TOTAL SHEETS	SHEET NO.
FAI-55	**	WILL	505	318
FED. ROAD DIST. NO. 7	ILLINOIS	FED. AID PROJECT		

44 SHEETS

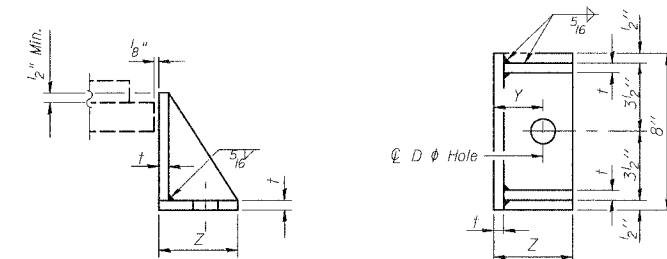
** SECTION 2006-032 BY
CONTRACT NO. 60B86



ELEVATION AT S. ABUT. (NB & SB)
(8 required)

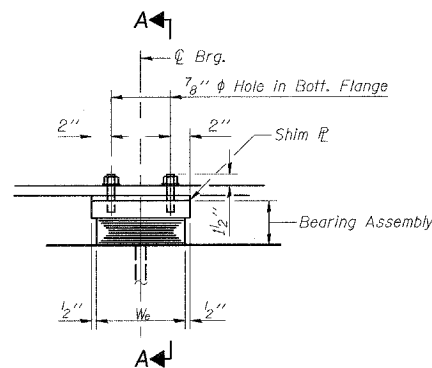


SECTION A-A
(See SIDE RETAINER SCHEDULE below for size)

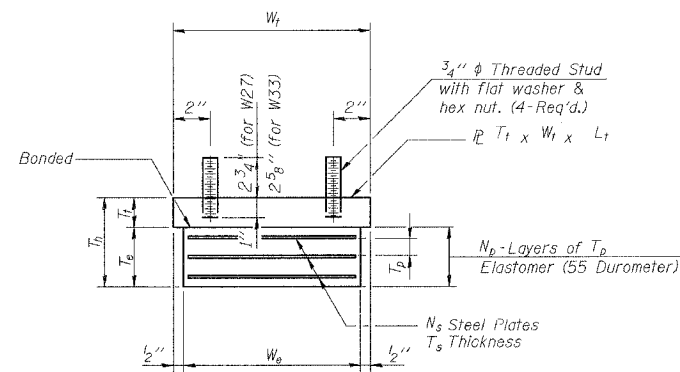


SIDE RETAINER

(Equivalent rolled angle with stiffeners will be allowed in lieu of welded plates. Weight included with Structural Steel)



ELEVATION AT PIER 2 (NB)
(3 required)



BEARING ASSEMBLY

(Shim plates shall not be placed under Bearing Assembly)

SIDE RETAINER SCHEDULE

Location	Beam	Anchor Bolt Dia. x Length (in.)	Plate Washer (in.)	Side Retainer (in.)			
				Y	Z	t	D (Hole)
NB S. Abut.	W27	1 x 12	2 1/4 x 2 1/4 x 5/16	2 1/2	4	1/2	1 1/4
NB Pier 2	W27	1 1/4 x 15	2 3/4 x 2 3/4 x 5/16	2 3/8	4 3/4	1/2	1 1/2
SB S. Abut.	All	1 x 12	2 1/4 x 2 1/4 x 5/16	2 1/2	4	1/2	1 1/4

BILL OF MATERIAL

Item	Unit	Total
Elastomeric Bearing Assembly Type I	Each	11

Notes:

1. See Sheet No. 35 for Anchor Bolt Installation.

TYPE I ELASTOMERIC EXP. BRG.

BEARING DIMENSION SCHEDULE

Location	Beam	Bearing							Top Plate			Tn
		Wb	Lb	Tp	Np	Ts	Ns	Te	Wt	Lt	Tt	
NB S. Abut.	W27	7"	12"	3/8"	4	3/32"	3	1 3/4"	8"	14"	2"	3 3/4"
NB Pier 2	W27	10"	14"	7/16"	5	1/8"	4	2 1/16"	11"	16"	2 1/4"	4 15/16"
SB S. Abut.	All	7"	12"	3/8"	4	3/32"	3	1 3/4"	8"	14"	2"	3 3/4"

DESIGNED	J.ZUO
CHECKED	J.GRAINAWI
DRAWN	Z.MORILLO
CHECKED	J.GRAINAWI

Date: 6/30/2006



ELASTOMERIC BEARING
ASSEMBLY TYPE I
I-55 OVER EJ&E R.R.
FAI ROUTE 55 SEC. 2006-032 BY
WILL COUNTY
STA. 609+29.37
STRUCTURE NO. 099-0018 (NB)
STRUCTURE NO. 099-0019 (SB)