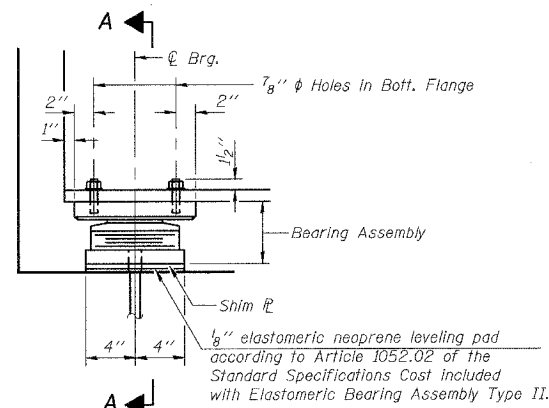


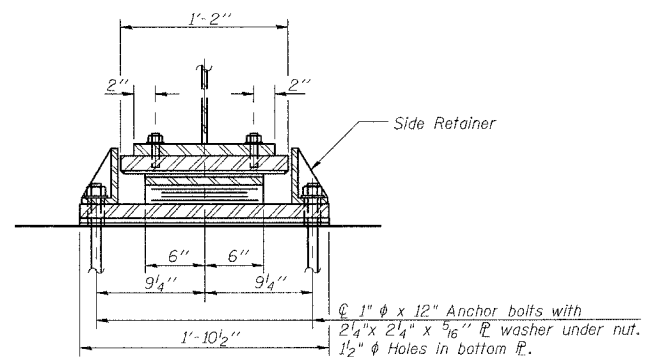
STATE OF ILLINOIS
DEPARTMENT OF TRANSPORTATION

ROUTE NO.	SECTION	COUNTY	SHEET NO.	SHEET	SHEET NO. 22
FAI-55	**	WILL	505	319	44 SHEETS
FED. ROAD DIST. NO. 7	ILLINOIS	FED. AID PROJECT			

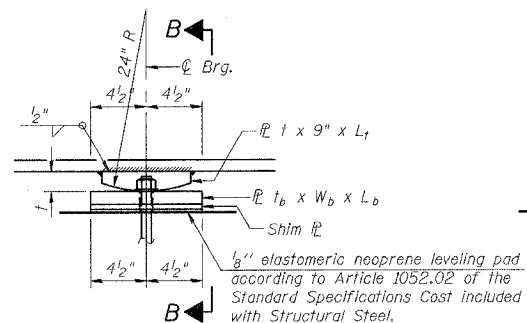
** SECTION 2006-032 BY
CONTRACT NO. 60B86



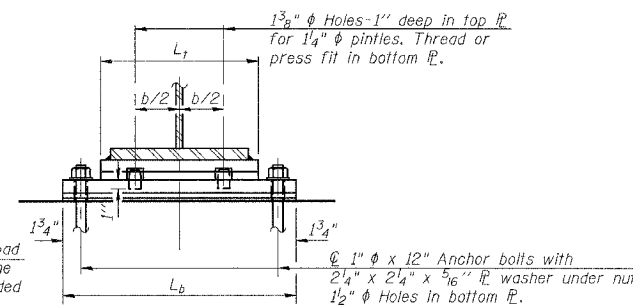
ELEVATION AT N. ABUT. (NB & SB)



SECTION A-A



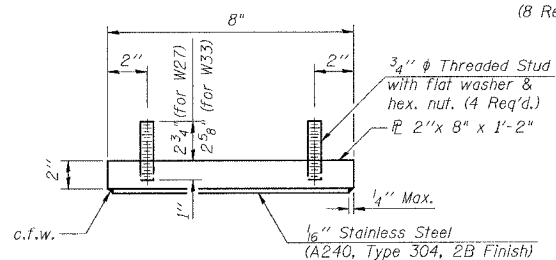
ELEVATION AT PIER 1 (NB & SB)



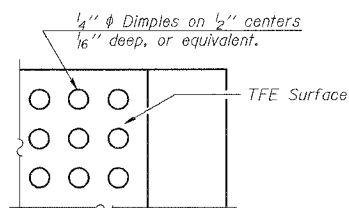
SECTION B-B

TYPE II ELASTOMERIC EXP. BRG.

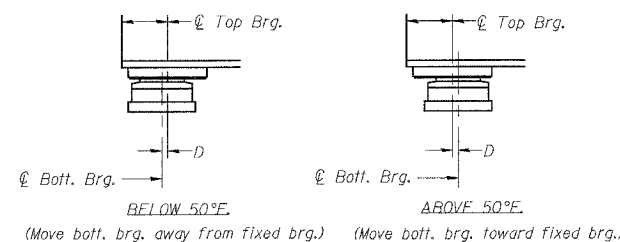
(8 Required)



TOP BEARING ASSEMBLY



PLAN-TFE SURFACE

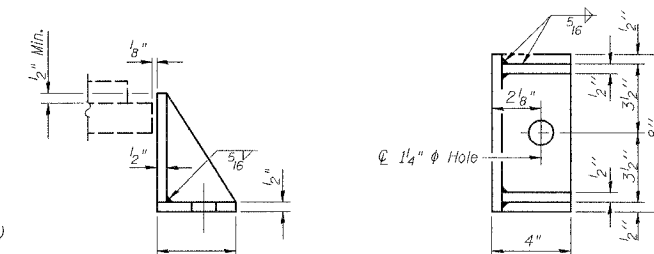


SETTING ANCHOR BOLTS AT EXP. BRG.

(D = 1/8" per each 100' of expansion for every 15° temp. change from the normal temp. of 50°F)

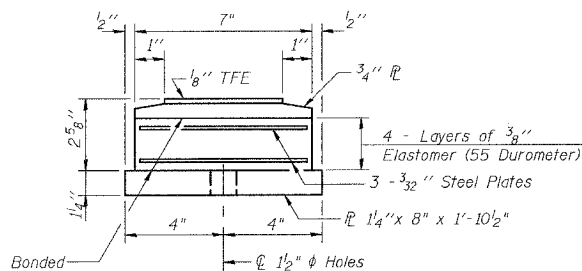
FIXED BEARING

(At Pier 1)
(8 Required)

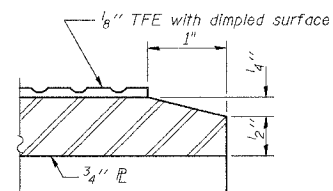


SIDE RETAINER

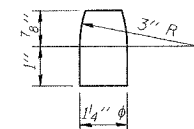
Equivalent rolled angle with stiffeners will be allowed in lieu of welded plates. Weight included with Structural Steel.



BOTTOM BEARING ASSEMBLY



SECTION THRU TFE



PINTLE

FIXED BEARING DIMENSION SCHEDULE

Location	Beam	b	Top Plate		Bottom Plate		Brg. Ht.	No. Req'd	
			L _t	t	W _b	L _b			t _b
NB Pier 1	W27	7"	15"	1 5/8"	9"	22 1/2"	1 1/2"	3 1/4"	3
SB Pier 1	W27	7"	15"	1 3/4"	9"	22 1/2"	1 1/2"	3 3/8"	3
SB Pier 1	W33	6"	12 1/2"	1 5/8"	9"	20"	1 5/8"	3 3/8"	2

BILL OF MATERIAL

Item	Unit	Total
Elastomeric Bearing Assembly Type II	Each	8

ELASTOMERIC BEARING ASSEMBLY TYPE II
I-55 OVER E&E R.R.
FAI ROUTE 55-SEC. 2006-032 BY
WILL COUNTY
STA. 609+29.37
STRUCTURE NO. 099-0018 (NB)
STRUCTURE NO. 099-0019 (SB)



Notes:

- The 1/8" TFE sheet shall be bonded directly to the top steel plate with a two-component, medium viscosity epoxy resin, conforming to the requirements of the Federal Specification MMM-A-134, Type I. The bond agent shall be applied on the full area of the contact surfaces.
- Bonding of 1/8" TFE sheet during vulcanizing process will be permitted provided the process and method of adjusting assembly height is approved by the Engineer.
- See Sheet No. 35 for Anchor Bolt Installation.

DESIGNED	J. ZUO
CHECKED	J. GRAINAWI
DRAWN	Z. MORILLO
CHECKED	J. GRAINAWI

Date: 7/21/2006