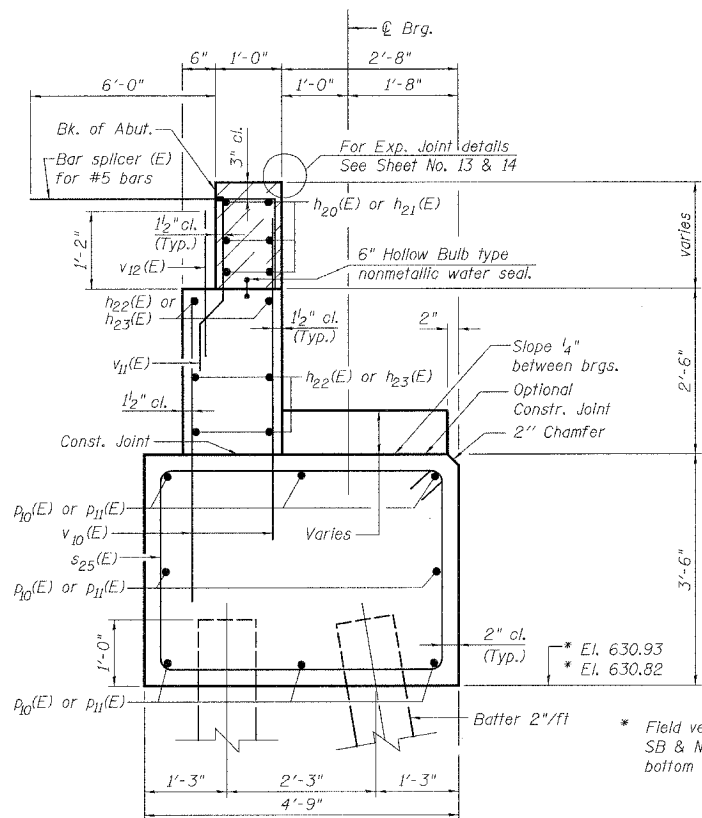


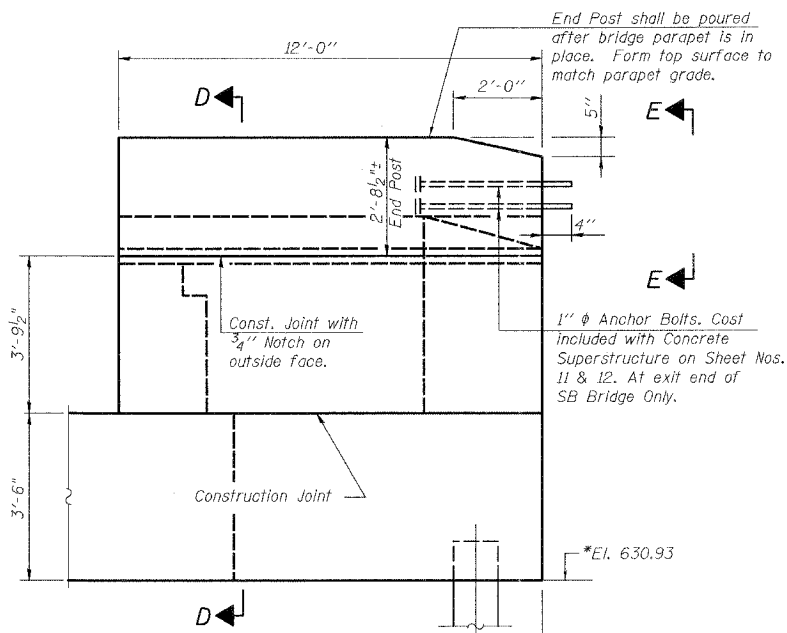
STATE OF ILLINOIS
DEPARTMENT OF TRANSPORTATION

| | | | | | |
|-----------------------|----------|------------------|-----------|-------|--------------|
| ROUTE NO. | SECTION | COUNTY | SHEET NO. | SHEET | SHEET NO. 25 |
| FAI-55 | ** | WILL | 505 | 322 | 44 SHEETS |
| FED. ROAD DIST. NO. 7 | ILLINOIS | FED. AID PROJECT | | | |

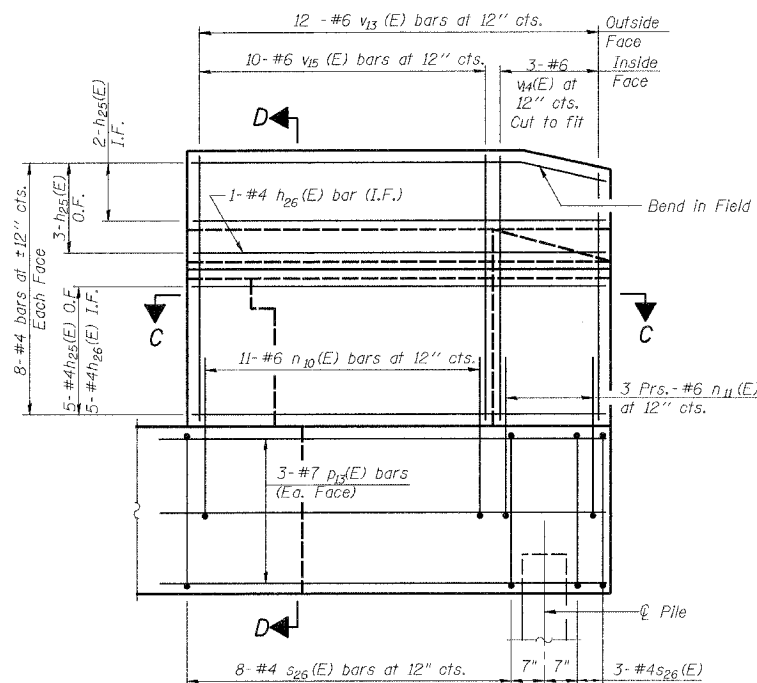
** SECTION 2006-032 BY
CONTRACT NO. 60B86



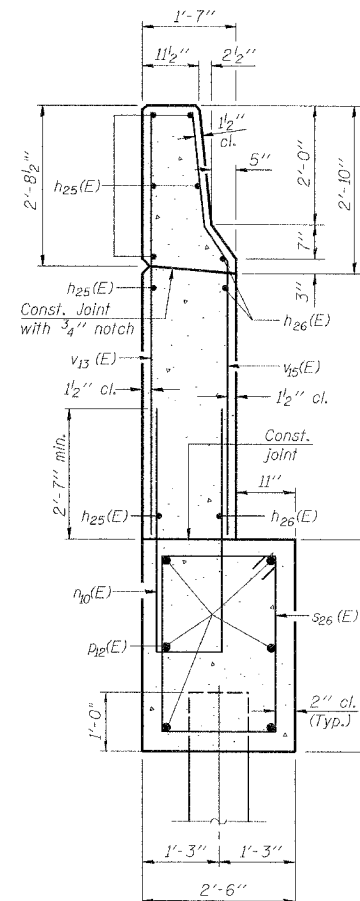
SECTION A-A



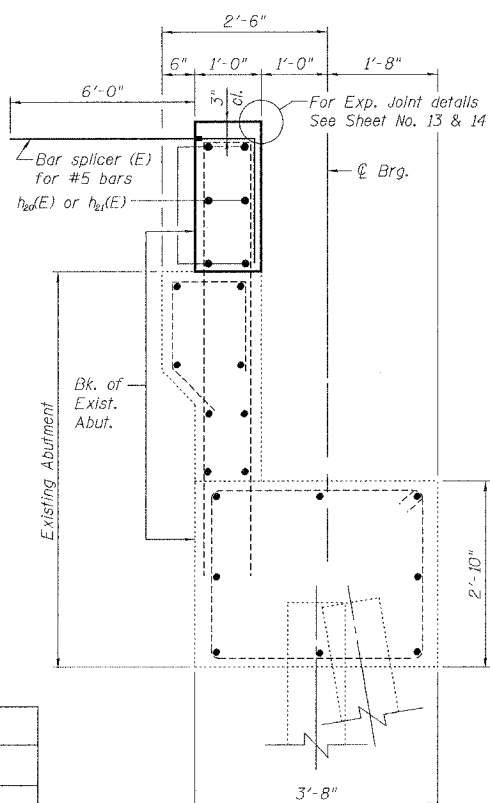
WING WALL ELEVATION
Showing Dimensions



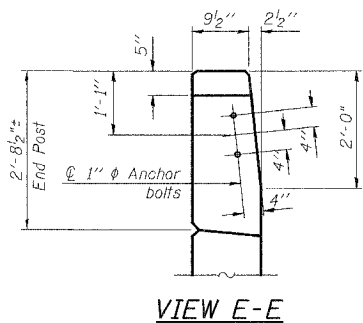
WING WALL ELEVATION
Showing Reinforcement



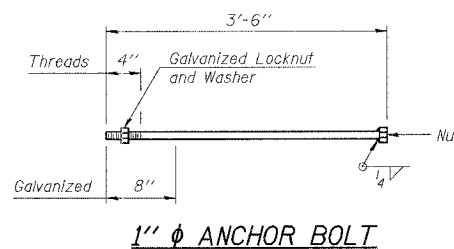
SECTION D-D



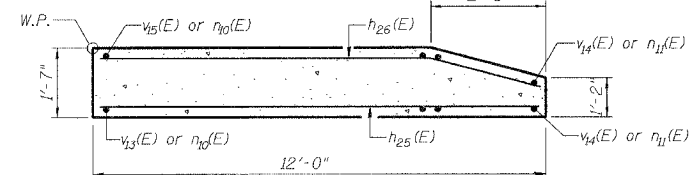
SECTION B-B



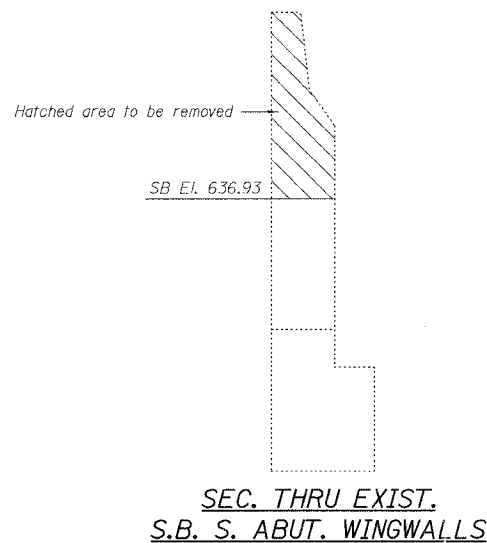
VIEW E-E



1" ANCHOR BOLT



SECTION C-C



SEC. THRU EXIST.
S.B. S. ABUT. WINGWALLS

Notes:

1. Hatched area to be poured after superstructure forms have been removed. Quantity of concrete included with Concrete Superstructure.
2. Space reinforcement in cap to miss anchor bolts.
3. Reinforcement bars designated (E) shall be epoxy coated.
4. Quantity of concrete in end post included with Concrete Superstructure on Sheet Nos. 11 & 12.
5. Work this sheet with Sheet Nos. 23 & 24.

SOUTH ABUTMENT DETAILS
I-55 OVER E&E R.R.
FAI ROUTE 55-SEC. 2006-032 BY
WILL COUNTY
STA. 609+29.37
STRUCTURE NO. 099-0018 (NB)
STRUCTURE NO. 099-0019 (SB)



| | |
|----------|-------------|
| DESIGNED | J. BRISBOIS |
| CHECKED | J. GRAINAWI |
| DRAWN | Z. MORILLO |
| CHECKED | J. GRAINAWI |

Date: 6/30/2006