

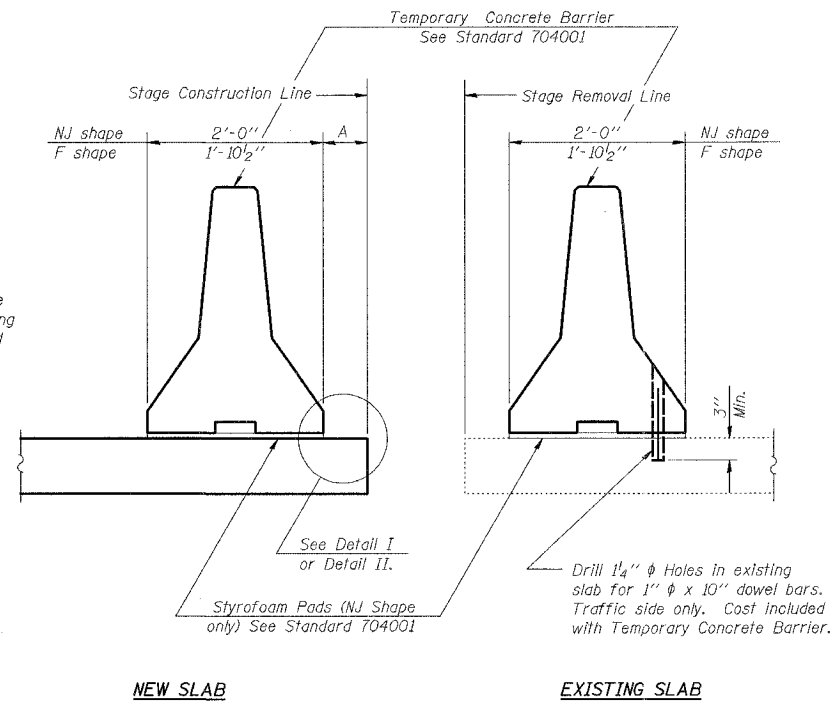
STATE OF ILLINOIS
DEPARTMENT OF TRANSPORTATION

ROUTE NO.	SECTION	COUNTY	TOTAL SHEETS	SHEET NO.
FAI-55	**	WILL	505	334
FED. AID DIST. NO. 7	ILLINOIS	FED. AID PROJECT		

SHEET NO. 37
44 SHEETS

** SECTION 2006-032 BY
CONTRACT NO. 60B86

When "A" is 3'-6" or less, the temporary concrete barrier shall be anchored to the new slab according to Detail I or Detail II. No anchorage is required when "A" is greater than 3'-6".



SECTIONS THRU SLAB

NOTES

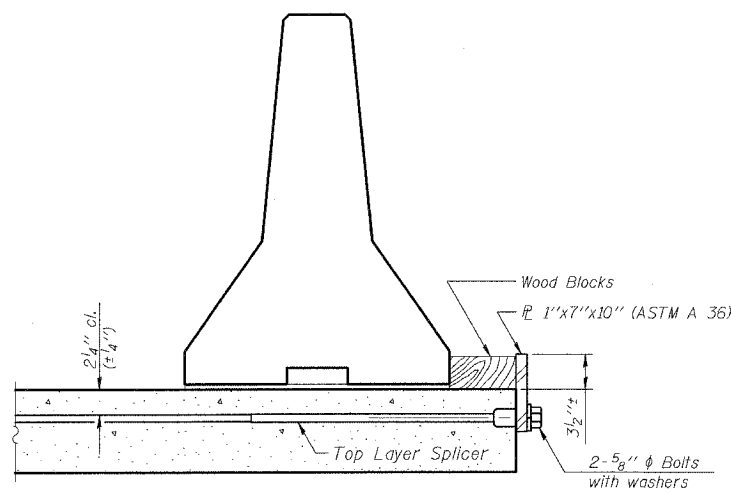
Detail I - With Bar Splicer or Couplers:

Connect one (1) 1"x7"x10" steel plate to the top layer of couplers with 2-5/8" φ bolts screwed to coupler at approximate center of each barrier panel.

Detail II - With Extended Reinforcement Bars:

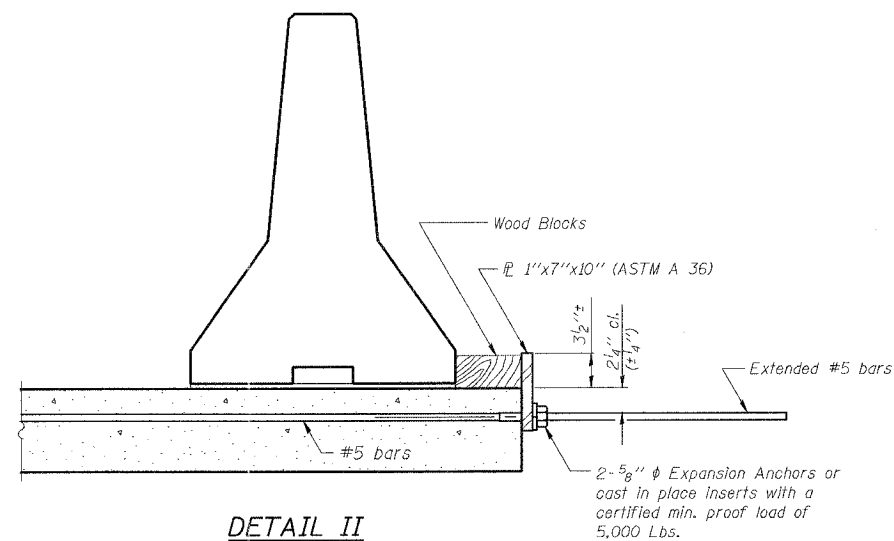
Connect one (1) 1"x7"x10" steel plate to the concrete slab with 2-5/8" φ Expansion Anchors or cast in place inserts spaced between the top layer of reinforcement at approximate center of each barrier panel.

Cost of anchorage is included with Temporary Concrete Barrier.



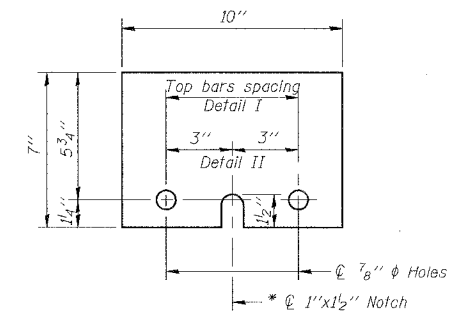
DETAIL I

The 1"x7"x10" Plate shall not be removed until Stage II Construction forms and reinforcement bars are in place.



DETAIL II

The 1"x7"x10" Plate shall not be removed until Stage II Construction forms and all reinforcement bars are in place and the concrete is ready to be placed.



1" x 7" x 10"

* Required only with Detail II

DESIGNED	S.CHELBIAN
CHECKED	J.GRAINAWI
DRAWN	S.CHELBIAN
CHECKED	J.GRAINAWI

Date: 6/30/2006



TEMPORARY CONCRETE BARRIER
I-55 OVER E&E R.R.
FAI ROUTE 55-SEC. 2006-032 BY
WILL COUNTY
STA. 609+29.37
STRUCTURE NO. 099-0018 (NB)
STRUCTURE NO. 099-0019 (SB)