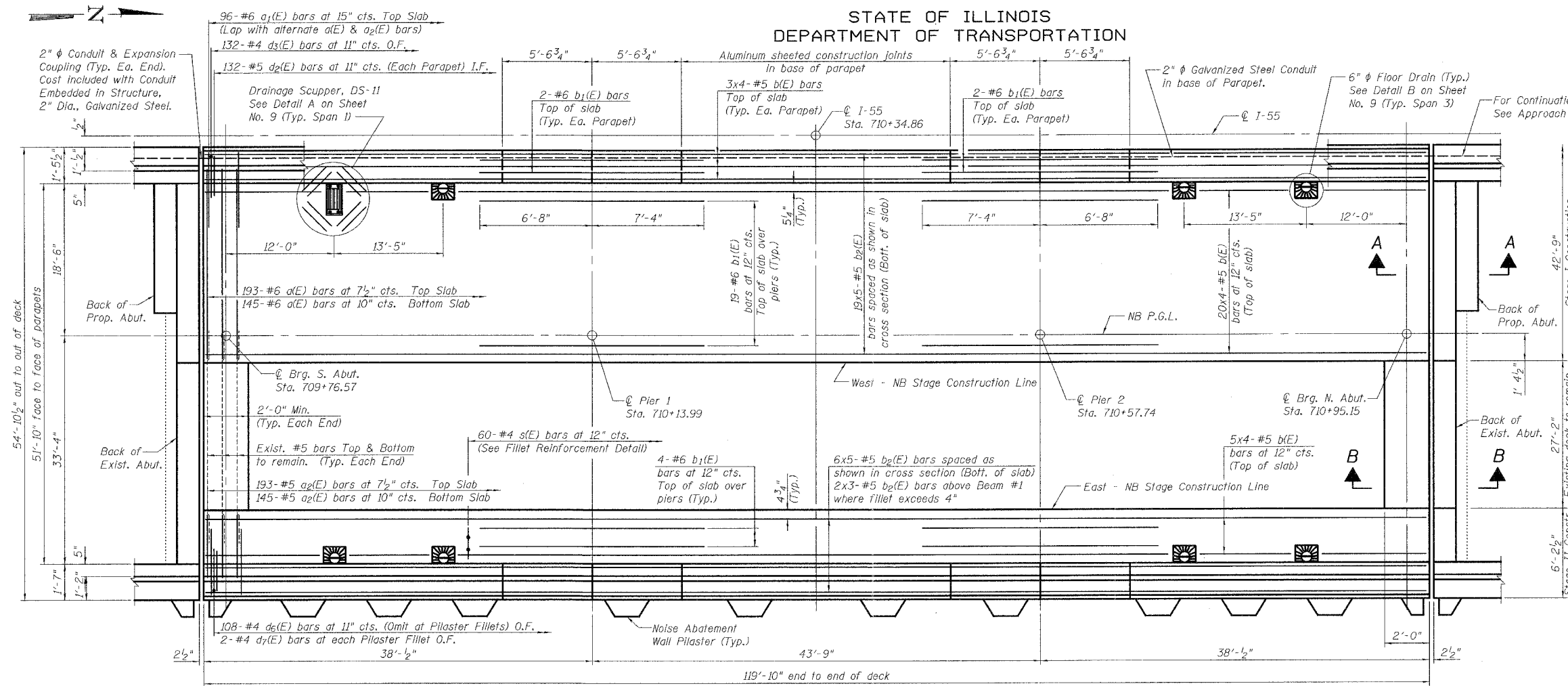


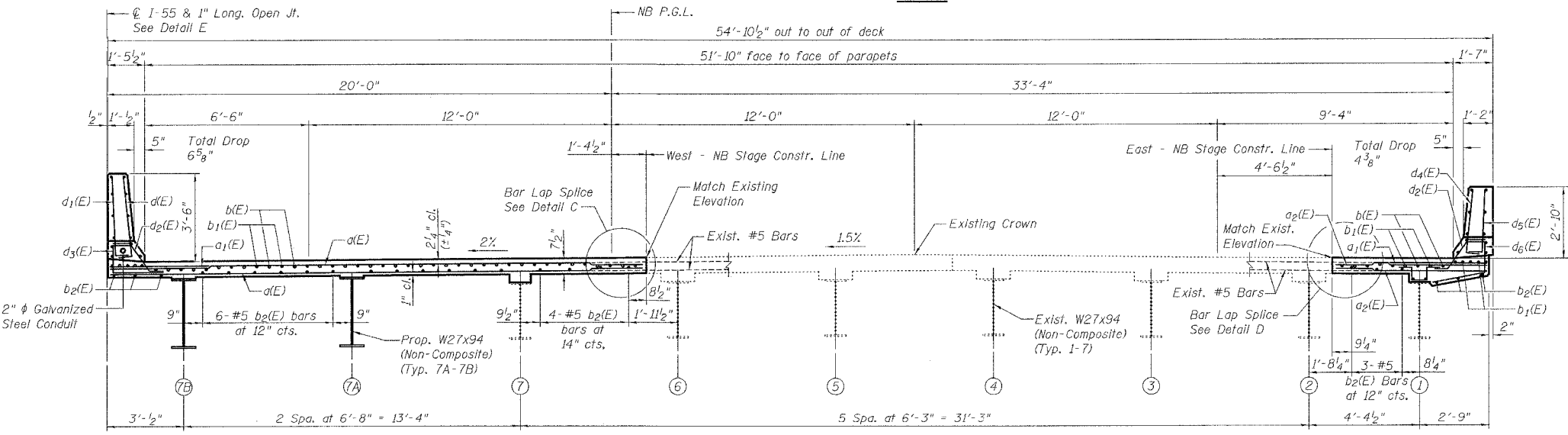
STATE OF ILLINOIS
DEPARTMENT OF TRANSPORTATION

ROUTE NO.	SECTION	COUNTY	JOB SHEETS	SHEET NO.	SHEET NO.
FAI-55	**	WILL	505	348	32 SHEETS
FED. ROAD DIST. NO. 7		ILLINOIS	FED. AID PROJECT		

** SECTION 2006-032 BY
CONTRACT NO. 60B86



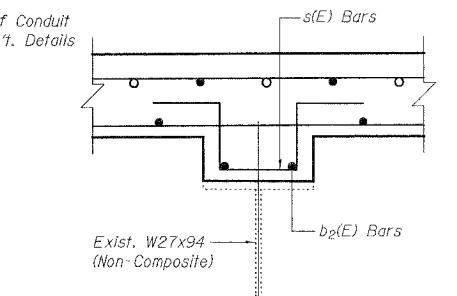
PLAN



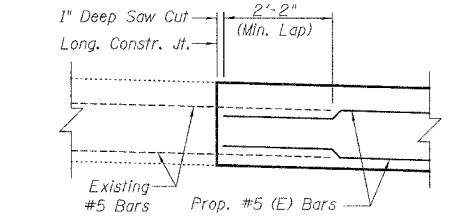
CROSS SECTION
(Looking North)

DESIGNED	S.CHELBIAN
CHECKED	J.GRAINAWI
DRAWN	S.CHELBIAN
CHECKED	J.GRAINAWI

Date: 6/30/2006

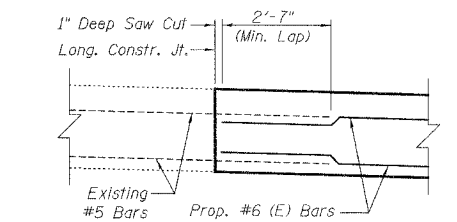


FILLET REINFORCEMENT DETAIL
(New Deck at Existing NB Beam 1 where Fillet exceeds 4")



DETAIL D

Note:
Remove existing concrete to expose a minimum of 2'-2" of the existing top and bottom transverse bars which shall be incorporated into new construction.



DETAIL C

Note:
Remove existing concrete to expose a minimum of 2'-7" of the existing top and bottom transverse bars which shall be incorporated into new construction.

- Notes:
1. See Sheet No. 10 for superstructure details and Bill of Material.
 2. See Sheet Nos. 9 & 10 for parapet reinforcement.
 3. Reinforcement bars designated (E) shall be epoxy coated.
 4. Bars indicated thus 19 x 5-#5 etc. indicates 19 lines of bars with 5 lengths per line.
 5. See Sheet No. 10 for Sections A-A & B-B.
 6. See Sheet No. 9 for Detail E.
 7. Work this sheet with Sheet Nos. 8, 9 & 10.

NB DECK PLAN & SECTION
I-55 OVER MS (ABANDONED) R.R.
FAI ROUTE 55-SEC. 2006-032 BY
WILL COUNTY
STA. 710+34.86
STRUCTURE NO. 099-0022 (NB)



6/30/2006 4:17:34 PM G:\1887A\Struct\CAD\Pre-Final\MS RR\Final\MS RR\Final Bridge Contract\092206-06B86-000-000-001.dgn