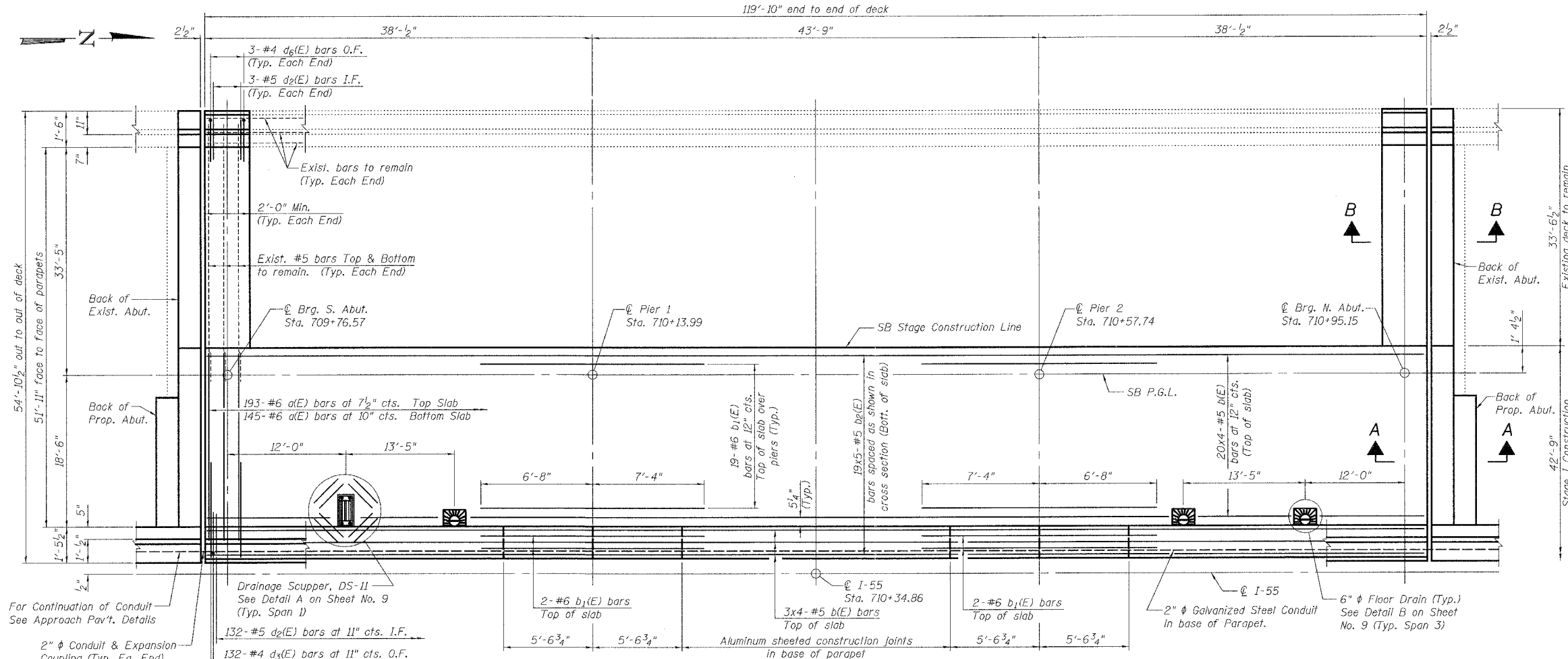


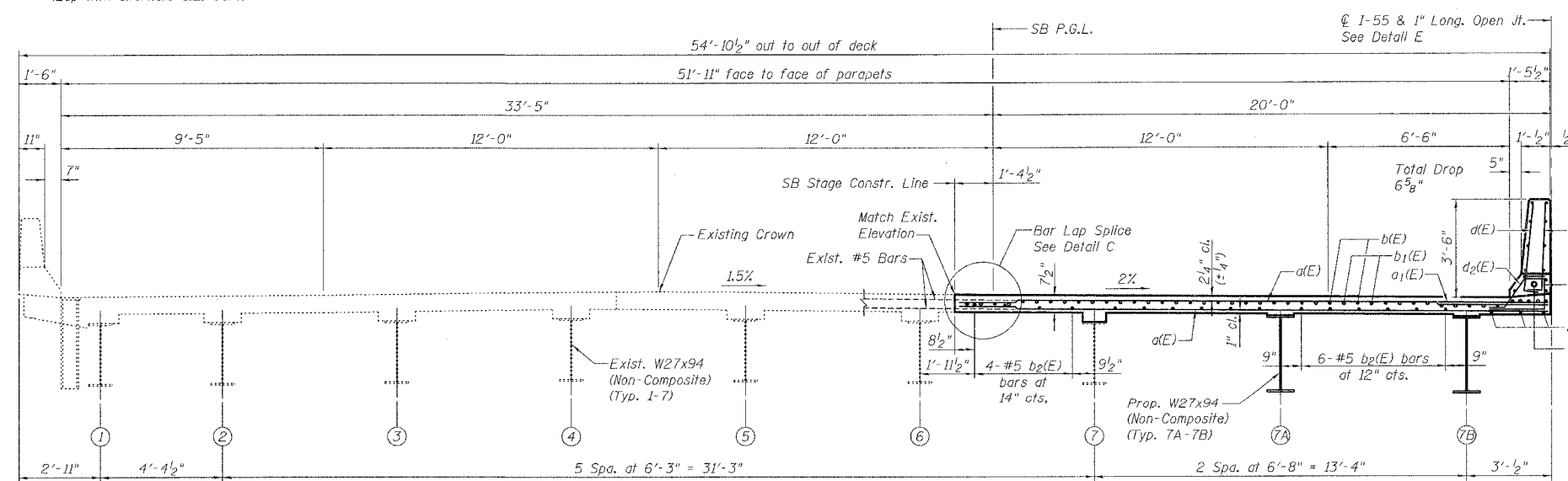
STATE OF ILLINOIS  
DEPARTMENT OF TRANSPORTATION

ROUTE NO.	SECTION	COUNTY	SHEET	SHEET NO.
FAI-55	**	WILL	505	349
FED. ROAD DIST. NO. 7		ILLINOIS	FED. AID PROJECT	

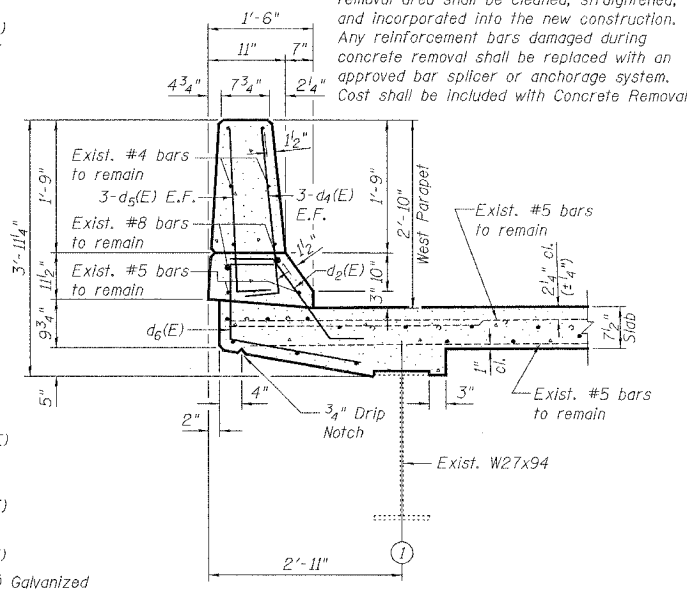
\*\* SECTION 2006-032 BY  
CONTRACT NO. 60B86



PLAN



CROSS SECTION  
(Looking North)



SECTION THRU SB WEST PARAPET  
(2'-0" Min. to be removed and reconstructed)

- Notes:
- See Sheet No. 10 for superstructure details and Bill of Material.
  - Reinforcement bars designated (E) shall be epoxy coated.
  - Bars indicated thus 19 x 5-#5 etc. indicates 19 lines of bars with 5 lengths per line.
  - See Sheet No. 9 for parapet reinforcement & for Detail E.
  - See Sheet No. 10 for Sections A-A & B-B.
  - Work this sheet with Sheet Nos. 7, 9 & 10.

Note:  
Existing reinforcement extending into the removal area shall be cleaned, straightened, and incorporated into the new construction. Any reinforcement bars damaged during concrete removal shall be replaced with an approved bar splicer or anchorage system. Cost shall be included with Concrete Removal.

DESIGNED	S.CHELBIAN
CHECKED	J.GRAINAWI
DRAWN	S.CHELBIAN
CHECKED	J.GRAINAWI

Date: 6/30/2006



SB DECK PLAN & SECTION  
I-55 OVER MS (ABANDONED) R.R.  
FAI ROUTE 55-SEC. 2006-032 BY  
WILL COUNTY  
STA. 710+34.86  
STRUCTURE NO. 099-0023 (SB)

6/30/2006 4:17:49 PM C:\1881\A\StructCadd\Pre-Final\MS RR\Final Bridge Contract\02206-06B86-000-008.dgn