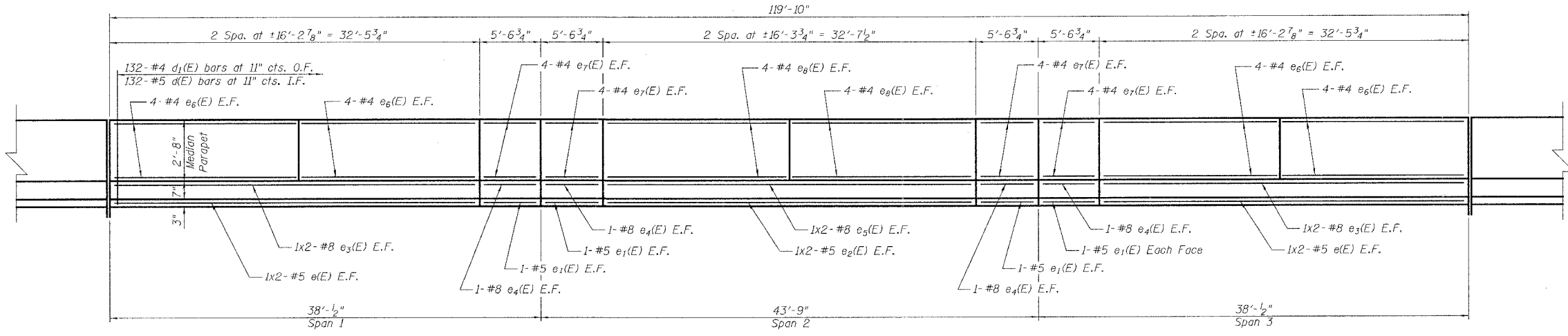


STATE OF ILLINOIS
DEPARTMENT OF TRANSPORTATION

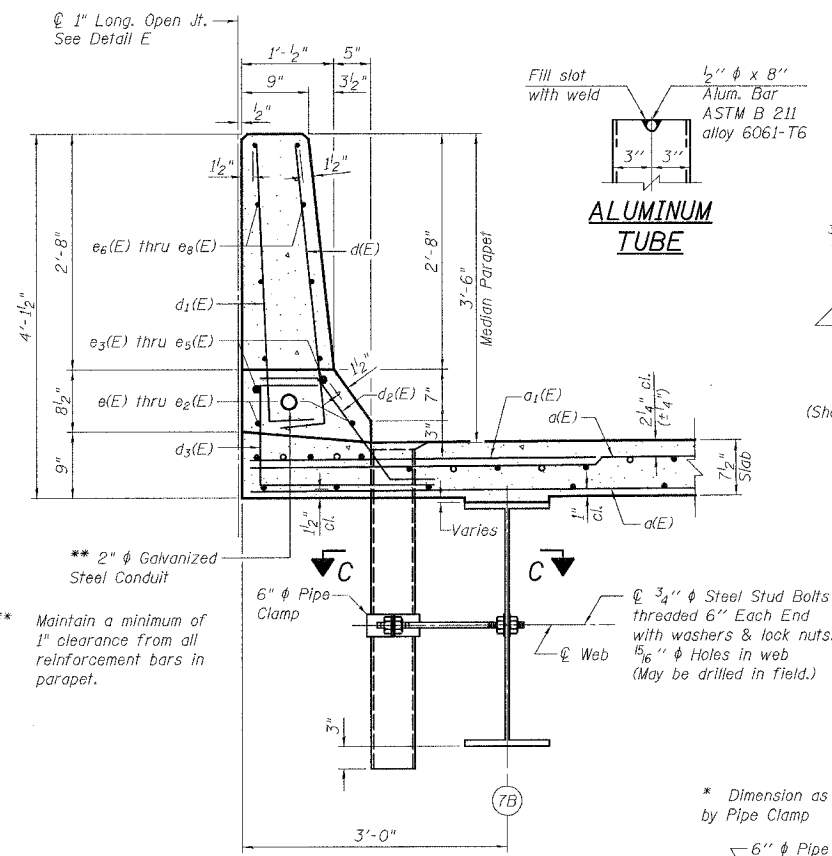
ROUTE NO.	SECTION	COUNTY	SHEET NO.	TOTAL SHEETS
FAI-55	**	WILL	505	350

SHEET NO. 9
32 SHEETS

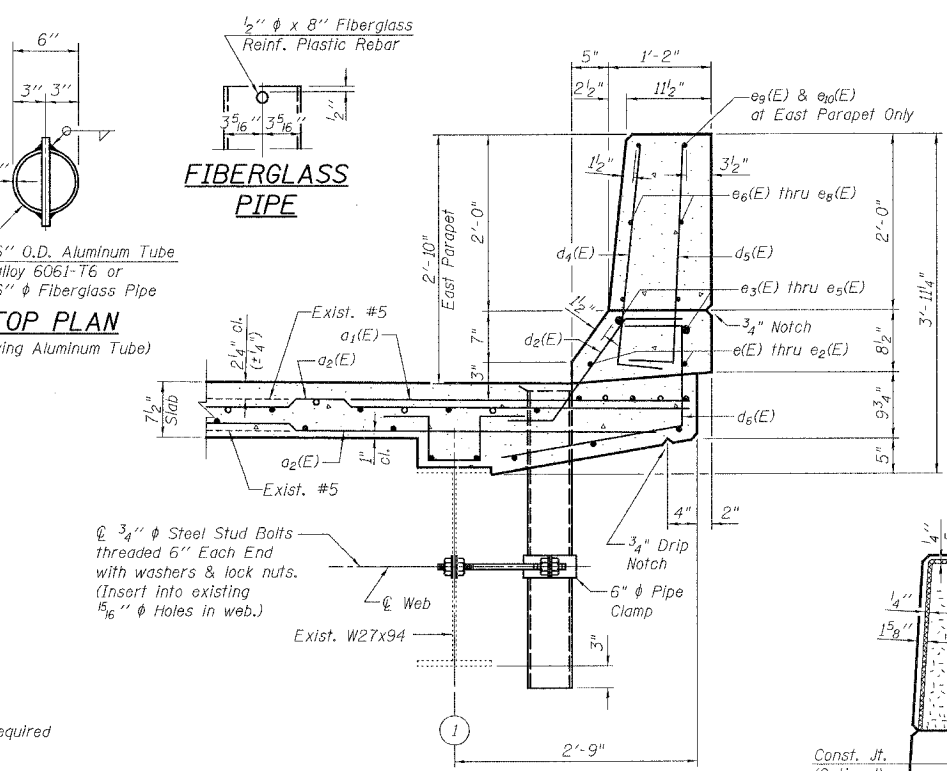
** SECTION 2006-032 BY
CONTRACT NO. 60B86



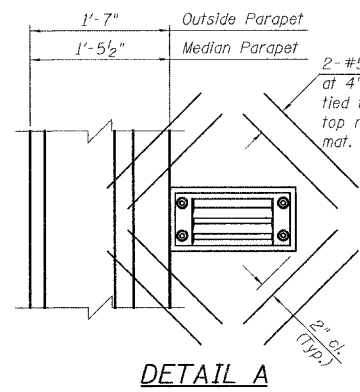
INSIDE ELEVATION OF MEDIAN PARAPET



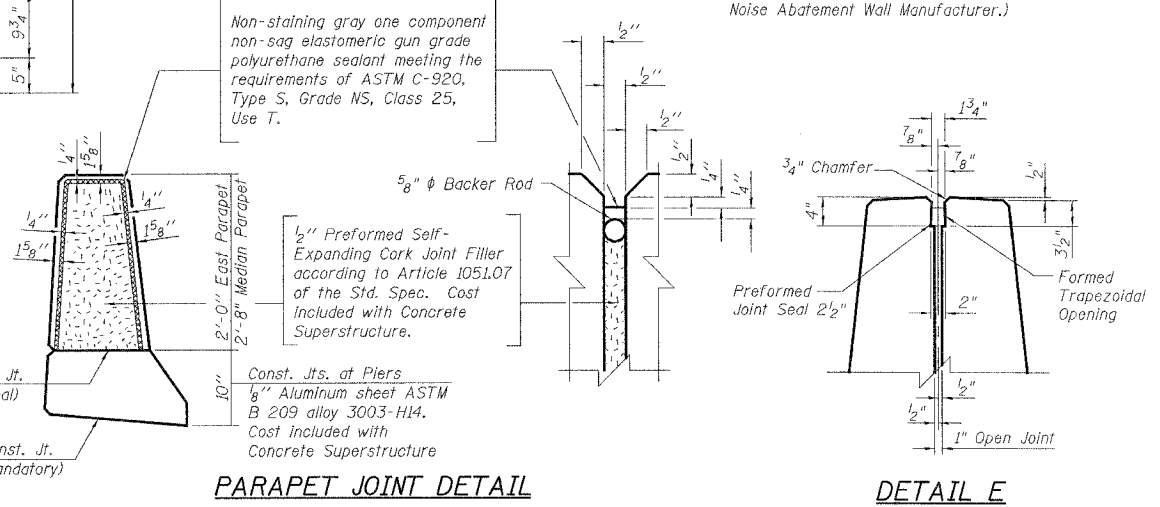
SECTION THRU MEDIAN PARAPET
(NB Median Parapet Shown, SB Median Parapet Similar)



SECTION THRU NB EAST PARAPET
(For NB East Parapet Inside Elevation, See Sheet No. 10)



DETAIL A

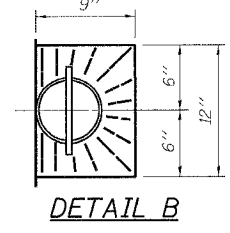


PARAPET JOINT DETAIL

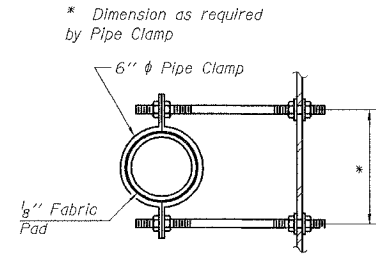
DETAIL E

DESIGNED	S.CHELBIAN
CHECKED	J.GRAINAWI
DRAWN	S.CHELBIAN
CHECKED	J.GRAINAWI

Date: 6/30/2006

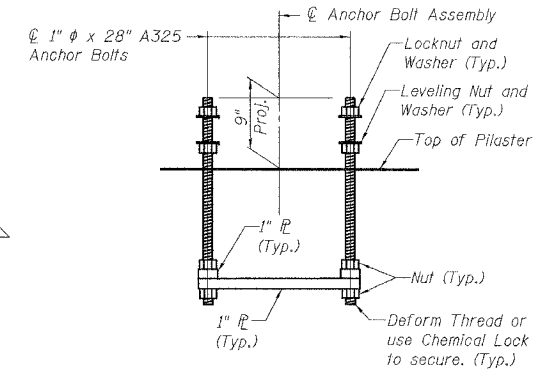


DETAIL B



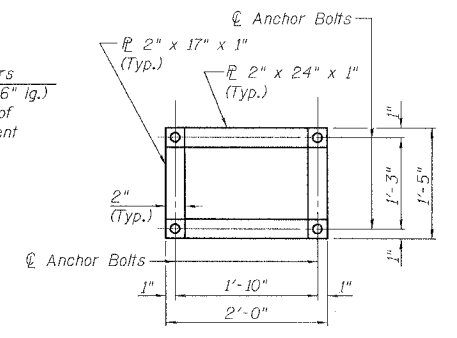
SECTION C-C

- Notes:
1. Reinforcement bars designated (E) shall be epoxy coated.
 2. Bars indicated thus 1 x 2-#4 etc. indicates 1 lines of bars with 2 lengths per line.
 3. Cut longitudinal reinforcement to clear Drainage Soudpers & Floor Drains.
 4. The exterior surfaces of the floor drains shall be painted to match the fascia beams and as specified in the special provisions for Cleaning and Painting New Metal Structures. The exterior surfaces of the drains shall be cleaned according to Steel Structures Painting Council's Spec. SSPC-SP1 prior to painting.
 5. Work this sheet with Sheet Nos. 7, 8, & 10.



ELEVATION ANCHOR BOLT ASSEMBLY

(All Anchor Bolts, Steel Plates, Nuts and Washers shall be Galvanized according to AASHTO M111 & M232 and cost included with Concrete Superstructure.)



PLAN ANCHOR BOLT ASSEMBLY

(Verify Anchor Bolt spacing with Noise Abatement Wall Manufacturer.)

SUPERSTRUCTURE DETAILS I
I-55 OVER MS (ABANDONED) R.R.
FAI ROUTE 55-SEC. 2006-032 BY
WILL COUNTY
STA. 710+34.86
STRUCTURE NO. 099-0022 (NB)
STRUCTURE NO. 099-0023 (SB)



6/30/2006 4:18:10 PM C:\16817\AS\Struct\CAD\Pre-Final\MS RRF\Final Bridge Contract\092206-60B86-000-000-006.dgn