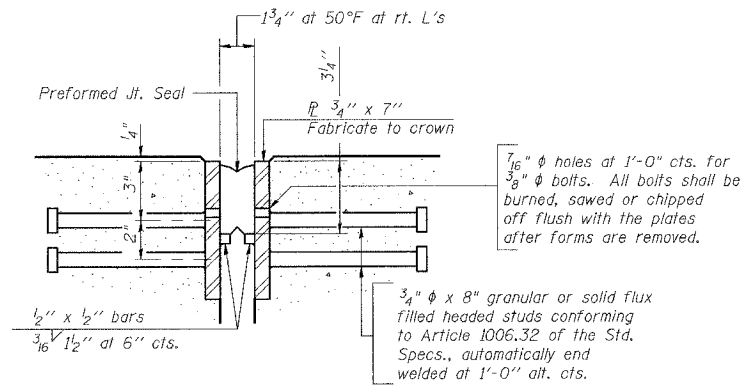


STATE OF ILLINOIS
DEPARTMENT OF TRANSPORTATION

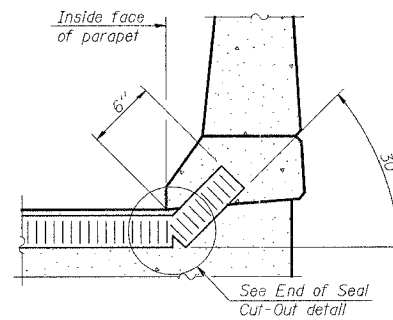
ROUTE NO.	SECTION	EQUITY	TOTAL SHEETS	SHEET NO.	SHEET NO. 11
FAI-55	**	WILL	505	352	32 SHEETS
FED. ROAD DIST. NO. 7		ILLINOIS	PROJ. NO. PROJECT		

** SECTION 2006-032 BY
CONTRACT NO. 60B86



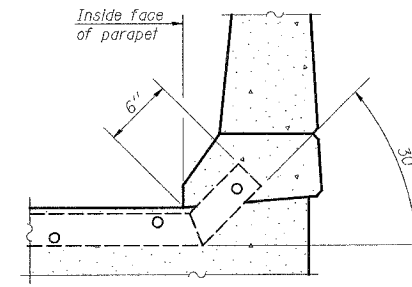
SECTION THRU EXPANSION JOINT

(216 Studs Required For SB Bridge)
(216 Studs Required For NB Bridge)



AT PARAPETS

(Showing seal)



AT PARAPETS

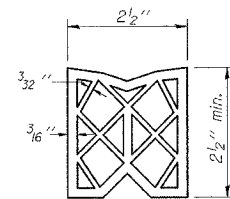
(Showing plate)

GENERAL NOTES

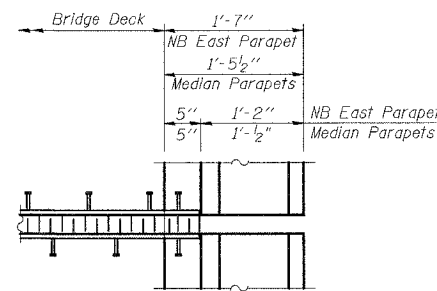
- Furnish steel plates in segments of 20 feet maximum length. Maximum space between installed segments shall be 3/16". Seal space with silicone sealant suitable for structural steel.

Bridge Joint System (Expansion)		
Design Movement	Required Preformed Joint Seal Size	Required Strip Seal Rated movement
1"	2 1/2"	1"

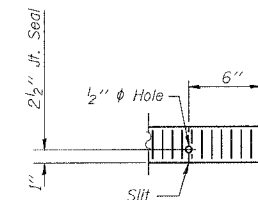
TYPICAL END TREATMENTS



PREFORMED JOINT SEAL



PLAN AT PARAPETS



END OF SEAL CUT-OUT

BILL OF MATERIAL

Item	Unit	Total
Bridge Joint System (Expansion), 1"	Foot	211.5

(Sheet 1 of 2)

BRIDGE JOINT SYSTEM-EXPANSION
(PREFORMED JOINT SEAL)
I-55 OVER MS (ABANDONED) R.R.
FAI ROUTE 55-SEC. 2006-032 BY
WILL COUNTY
STA. 710+34.86
STRUCTURE NO. 099-0022 (NB)
STRUCTURE NO. 099-0023 (SB)



DESIGNED	S.CHELBIAN
CHECKED	J.GRAINAWI
DRAWN	S.CHELBIAN
CHECKED	J.GRAINAWI

Date: 6/30/2006