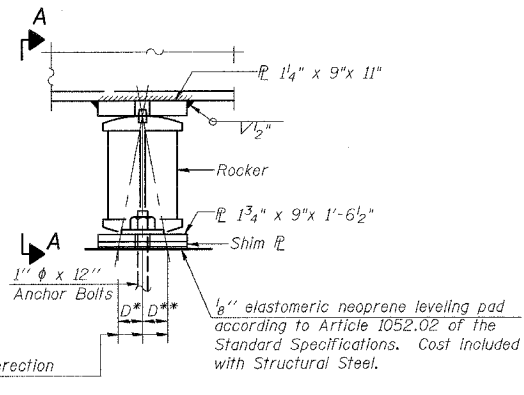


STATE OF ILLINOIS  
DEPARTMENT OF TRANSPORTATION

ROUTE NO.	SECTION	COUNTY	TOTAL SHEETS	SHEET NO.	SHEET
FAI-55	**	WILL	505	357	32 SHEETS
FED. ROAD DIST. NO. 7		ILLINOIS	FED. AID PROJECT-		

\*\* SECTION 2006-032 BY  
CONTRACT NO. 60B86



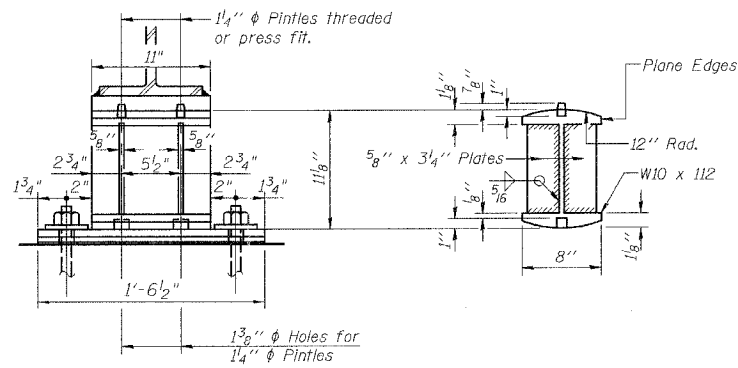
Anchor bolts for steel erection at various temperatures.

**ELEVATION AT PIER 1 (NB & SB)**

(2 Req'd NB, 2 Req'd SB)

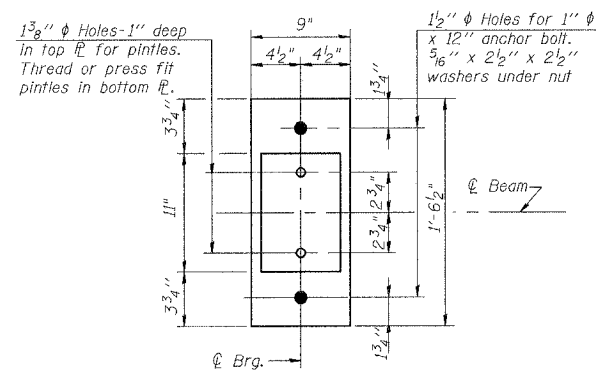
\*  $D = \frac{1}{8}''/100$  ft. of exp. for every 15° below the normal temp. of 50°F.

\*\*  $D = \frac{1}{8}''/100$  ft. of exp. for every 15° above the normal temp. of 50°F.

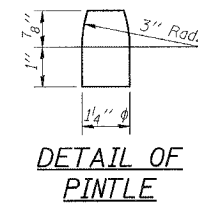


**SECTION A-A**

**DETAIL OF ROCKER**



**PLAN**



**DETAIL OF PINTLE**

Note:

1. See Sheet No. 25 for Anchor Bolt Installation.

DESIGNED	J. ZUO
CHECKED	J. GRAINAWI
DRAWN	J. ZUO
CHECKED	J. GRAINAWI

Date: 6/30/2006

STRUCTURAL STEEL DETAILS II  
I-55 OVER MS (ABANDONED) R.R.  
FAI ROUTE 55-SEC. 2006-032 BY  
WILL COUNTY  
STA. 710+34.86  
STRUCTURE NO. 099-0022 (NB)  
STRUCTURE NO. 099-0023 (SB)

