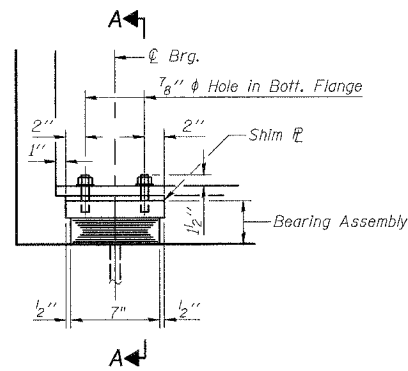


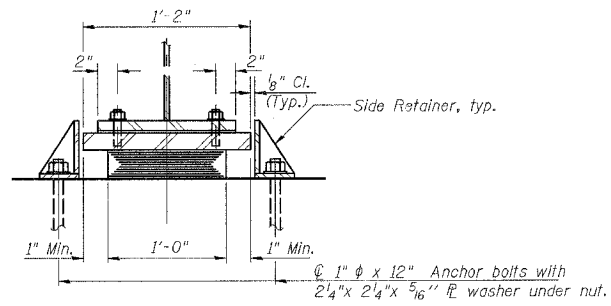
STATE OF ILLINOIS  
DEPARTMENT OF TRANSPORTATION

ROUTE NO.	SECTION	COUNTY	TOTAL SHEETS	SHEET NO.	SHEET NO. 17 32 SHEETS
FAI-55	**	WILL	505	358	
FED. ROAD DIST. NO. 7	ILLINOIS	FED. AID PROJECT			

\*\* SECTION 2006-032 BY  
CONTRACT NO. 60B86

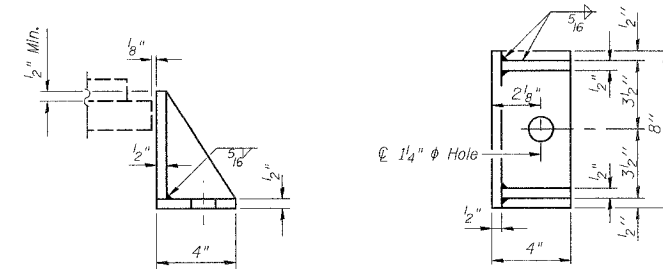


ELEVATION AT N. ABUT. (NB & SB)



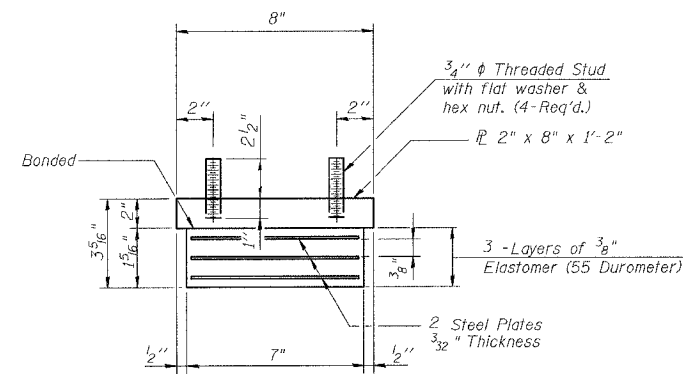
SECTION A-A

TYPE I ELASTOMERIC EXP. BRG.  
(2 Req'd NB, 2 Req'd SB)



SIDE RETAINER

(Equivalent rolled angle with stiffeners will be allowed in lieu of welded plates. Weight included with Structural Steel)



BEARING ASSEMBLY

(Shim plates shall not be placed under Bearing Assembly)

BILL OF MATERIAL

Item	Unit	Total
Elastomeric Bearing Assembly Type I	Each	4

Notes:

1. See Sheet No. 25 For Anchor Bolt Installation.

DESIGNED	J. ZUO
CHECKED	J. GRAINAWI
DRAWN	Z. MORILLO
CHECKED	J. GRAINAWI

Date: 6/30/2006

ELASTOMERIC BEARING  
ASSEMBLY TYPE I  
I-55 OVER MS (ABANDONED) R.R.  
FAI ROUTE 55-SEC. 2006-032 BY  
WILL COUNTY  
STA. 710+34.86  
STRUCTURE NO. 099-0022 (NB)  
STRUCTURE NO. 099-0023 (SB)

