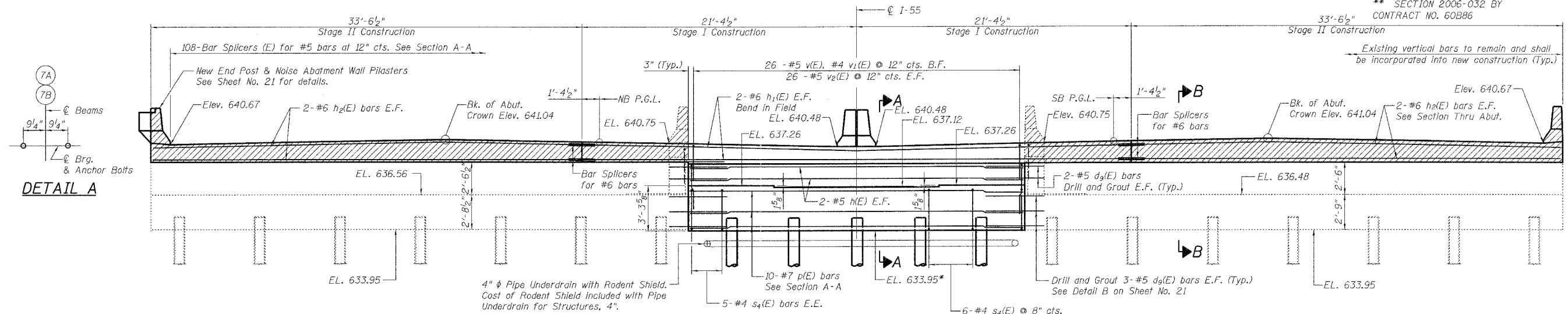


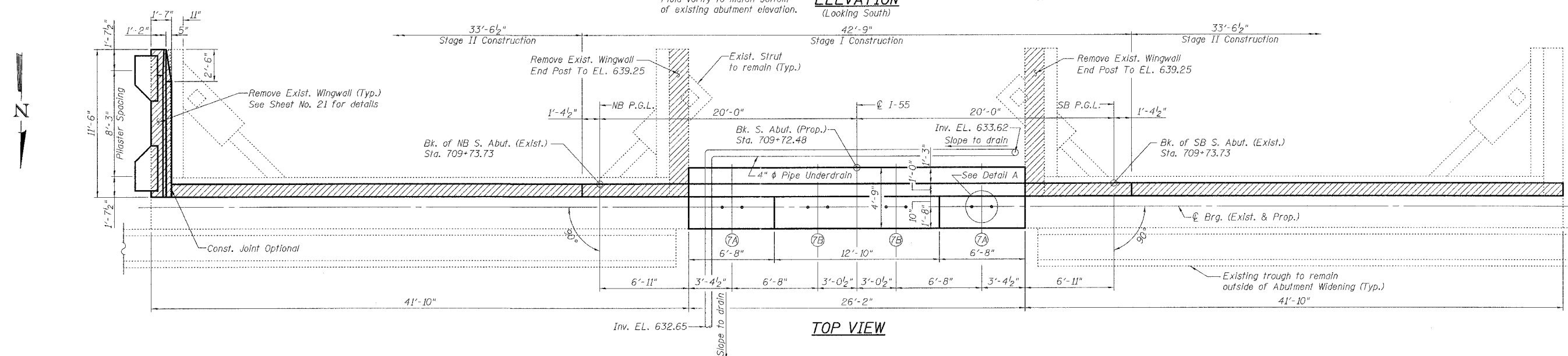
STATE OF ILLINOIS
DEPARTMENT OF TRANSPORTATION

ROUTE NO.	SECTION	COUNTY	SHEETS	SHEET	SHEET NO.
FAI-55	**	WILL	505	360	19
FED. ROAD DIST. NO. 7		ILLINOIS	FED. AID PROJECT		32 SHEETS

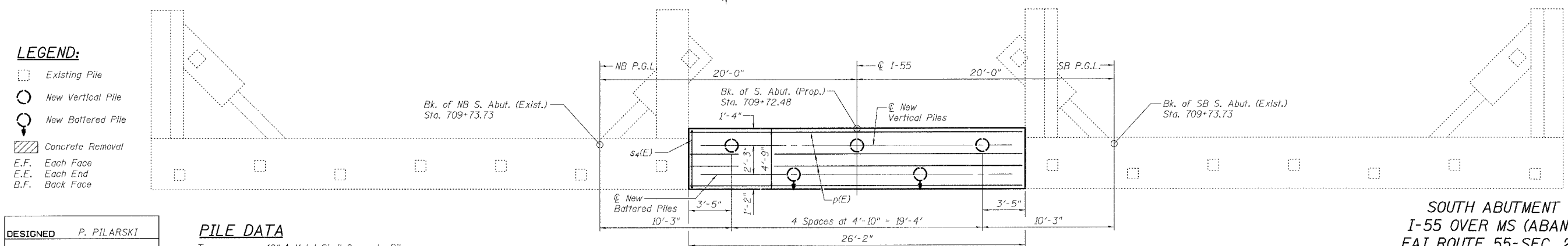
** SECTION 2006-032 BY
CONTRACT NO. 60B86



ELEVATION
(Looking South)



TOP VIEW



PLAN-PILE CAP

LEGEND:

- Existing Pile
- New Vertical Pile
- New Battered Pile
- Concrete Removal
- E.F. Each Face
- E.E. Each End
- B.F. Back Face

DESIGNED	P. PILARSKI
CHECKED	M. SHAIKH
DRAWN	P. PILARSKI
CHECKED	M. SHAIKH

PILE DATA

Type: 12" ϕ Metal Shell Concrete Piles with 1/4" Thick Walls

Capacity: 55 Tons

Est. Length: 36'

No. Required: 4+1 Test Pile

- Notes:
- See Sheet No. 21 for Sections A-A & B-B.
 - All elevations given at back of abutment unless otherwise noted.
 - For Details of bar splice, See Sheet No. 26.



SOUTH ABUTMENT WIDENING
I-55 OVER MS (ABANDONED) R.R.
FAI ROUTE 55-SEC. 2006-032 BY
WILL COUNTY
STA. 710+34.86
STRUCTURE NO. 099-0022 (NB)
STRUCTURE NO. 099-0023 (SB)

6/30/2006 4:20:35 PM C:\16817\AS\Struct\CAD\Pre-Finish\MS RR\Final Bridge Contract\02206-60B86-000-00-019.dgn