

STATE OF ILLINOIS  
DEPARTMENT OF TRANSPORTATION

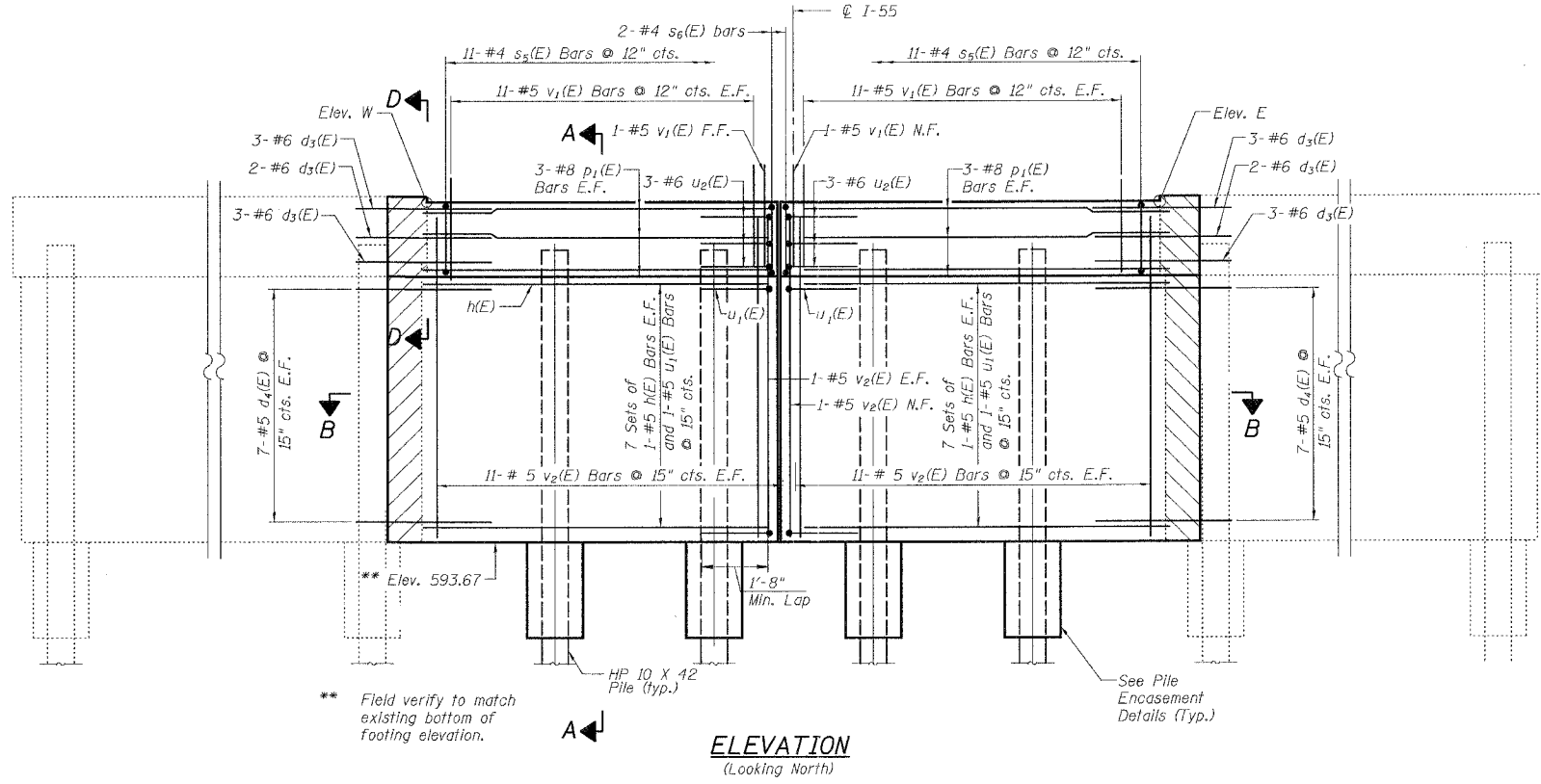
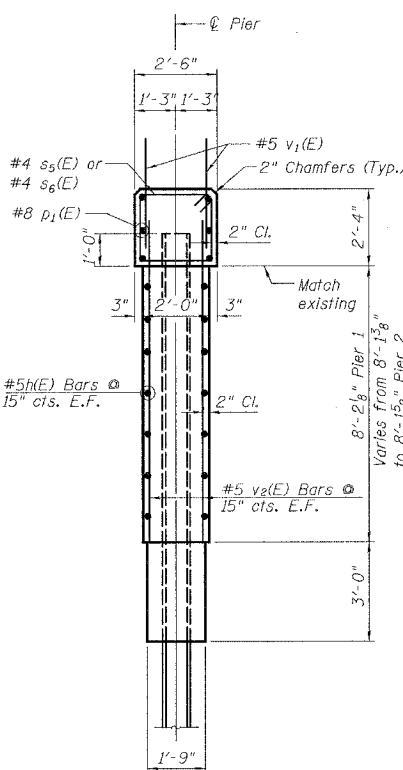
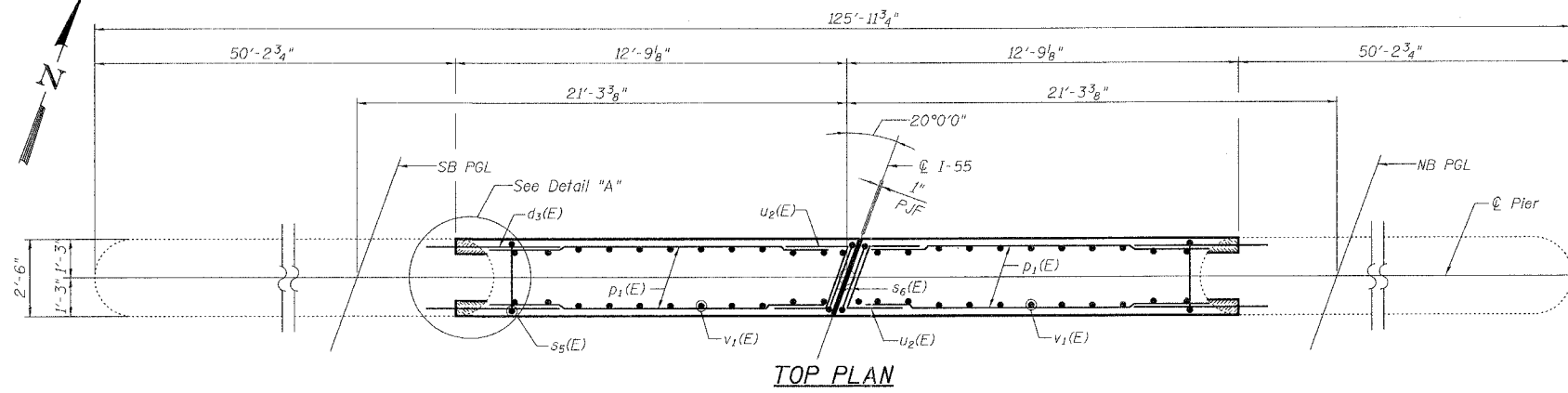
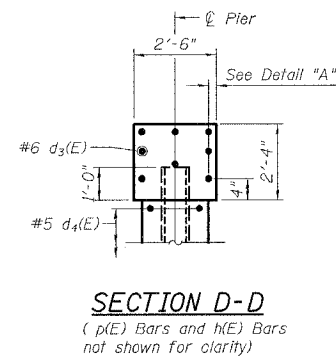
ROUTE NO.	SECTION	COUNTY	TOTAL SHEETS	SHEET NO.	SHEET NO. 10
FAI-55	**	WILL	505	383	16 SHEETS
FED. ROAD DIST. NO. 7	ILLINOIS	FED. AID PROJECT			

\*\* SECTION 2006-032 BY  
CONTRACT NO. 60B86

**BILL OF MATERIAL  
PIER 1 & PIER 2**

Bar	No.	Size	Length	Shape
d <sub>3</sub> (E)	32	#6	5'-6"	—
d <sub>4</sub> (E)	56	#5	4'-6"	—
h(E)	56	#5	12'-0"	—
p <sub>1</sub> (E)	24	#8	12'-0"	—
s <sub>5</sub> (E)	44	#4	9'-1"	□
s <sub>6</sub> (E)	4	#4	9'-5"	□
u <sub>1</sub> (E)	28	#5	6'-5"	┘
u <sub>2</sub> (E)	12	#6	8'-0"	┘
v <sub>1</sub> (E)	92	#5	2'-9"	—
v <sub>2</sub> (E)	92	#5	9'-11"	—
Concrete Structures			Cu. Yd.	41.0
Reinforcement Bars, (Epoxy Coated)			Pound	3,840
Structure Excavation			Cu. Yd.	12
Furnishing Steel Pile HP 10 X 42			Foot	208
Driving Steel Piles			Foot	208
Test Pile Steel HP 10 X 42			Each	2
Metal Shoes			Each	6
Concrete Removal			Cu. Yd.	1
Underwater Structure Excavation Protection-Pier 1			Each	1
Underwater Structure Excavation Protection-Pier 2			Each	1

Reinforcement Bars designated (E) shall be Epoxy Coated.



**TOP OF PILE CAP ELEVATIONS**

Elev. of Top of Pile Cap	Pier #1	Pier #2
Elev. W	604.35	604.28
Elev. E	604.35	604.30

**PILE DATA**

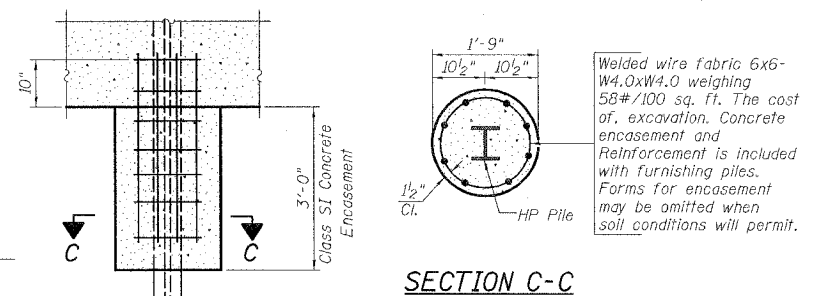
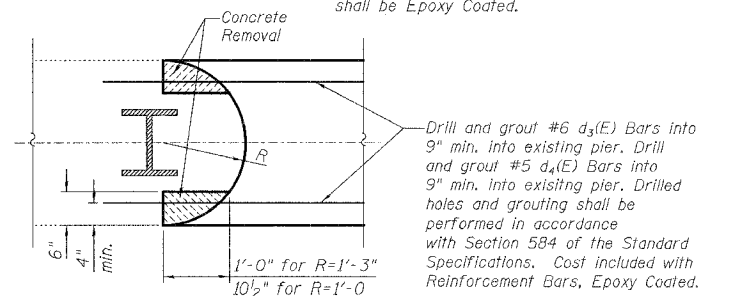
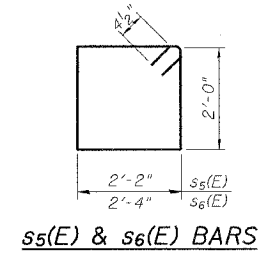
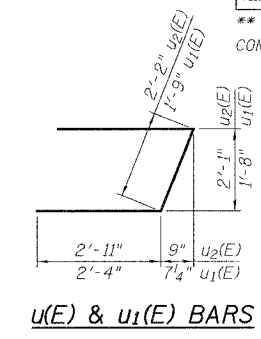
Type: Steel HP 10 X 42 with Metal Shoes  
Capacity: Driven to Refusal.  
Estimated length: See Table  
No. Req.: 6 (+2 Test Piles)

**ESTIMATED PILE LENGTHS**

	Pier #1	Pier #2
SB	34'	36'
NB	34'	34'

DESIGNED P. PILARSKI  
CHECKED J. BRISBOIS  
DRAWN A. ASKARI  
CHECKED J. BRISBOIS  
Date: 6/30/2006

**NOTE:**  
Forms shall be placed below Elev. 593.67 after excavation for pier walls. Reinforcement and concrete for encasements shall be placed underwater into forms. The cost of concrete for encasements, reinforcement, form excavation, and furnishing and placing forms is included in the cost of furnishing steel piles. If a portion of the pier wall is below the waterline, the concrete shall be tremied underwater into forms according to Article 503.08 of the standard specifications. Tremied concrete shall be placed to an elevation 12" above the water level at the time of construction. Provide protection for the underwater excavation at Piers 1 & 2. See Special Provisions for "Underwater Structure Excavation Protection".



**PILE ENCASEMENT DETAILS**

**LEGEND**

E.F. = Each Face  
E.E. = Each End  
N.F. = Near Face  
F.F. = Far Face

**PIER WIDENING & DETAILS  
I-55 OVER MINK CREEK.  
FAI ROUTE 55-SEC. 2006-032 BY  
WILL COUNTY  
STATION 630+07.11  
STRUCTURE NO. 099-4615 (NB)  
STRUCTURE NO. 099-4616 (SB)**

