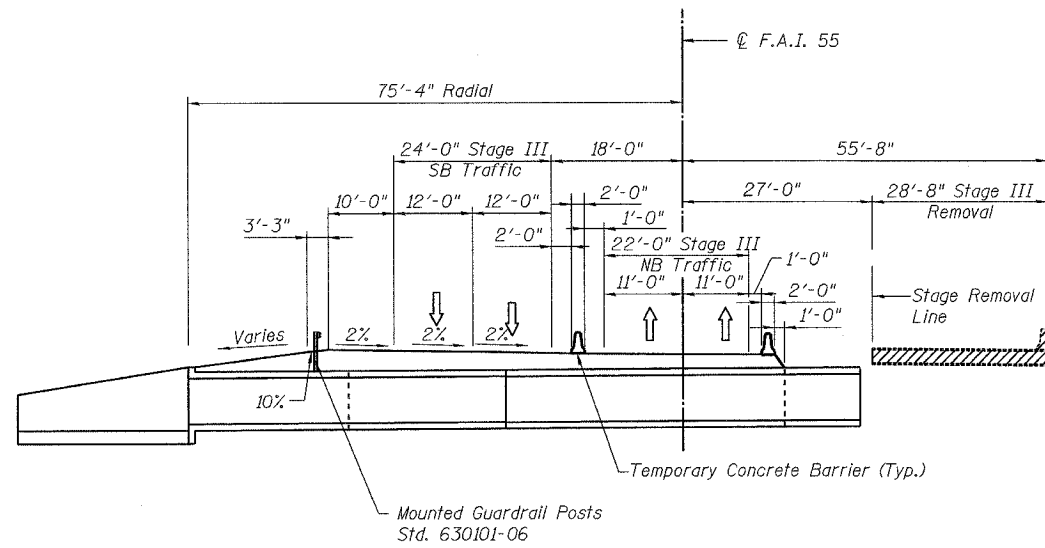


STATE OF ILLINOIS  
DEPARTMENT OF TRANSPORTATION

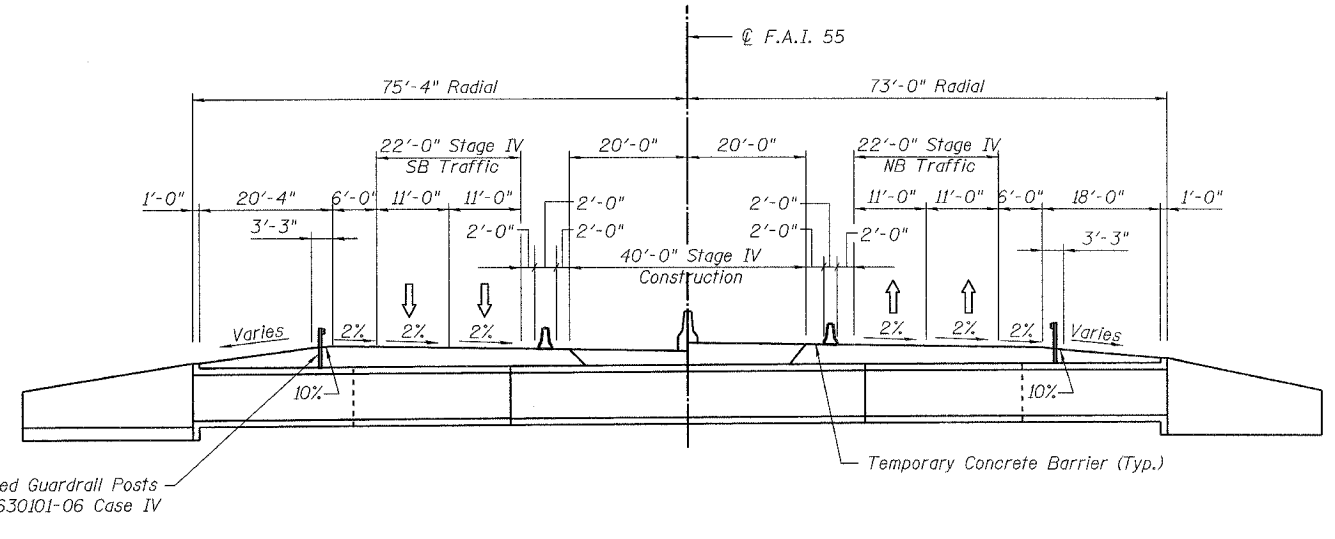
ROUTE NO.	SECTION	COUNTY	TOTAL SHEETS	SHEET
F.A.I. 55	2006-032 BY	WILL	505	403
FED. ROAD DIST. NO.	ALLIANCE	FED. AID PROJECT-	CONTRACT #: 60B86	

SHEET NO. S-4  
S-10 SHEETS



**STAGE III REMOVAL**

All dimensions measured radial to  $\phi$  of Roadway



**STAGE IV CONSTRUCTION**

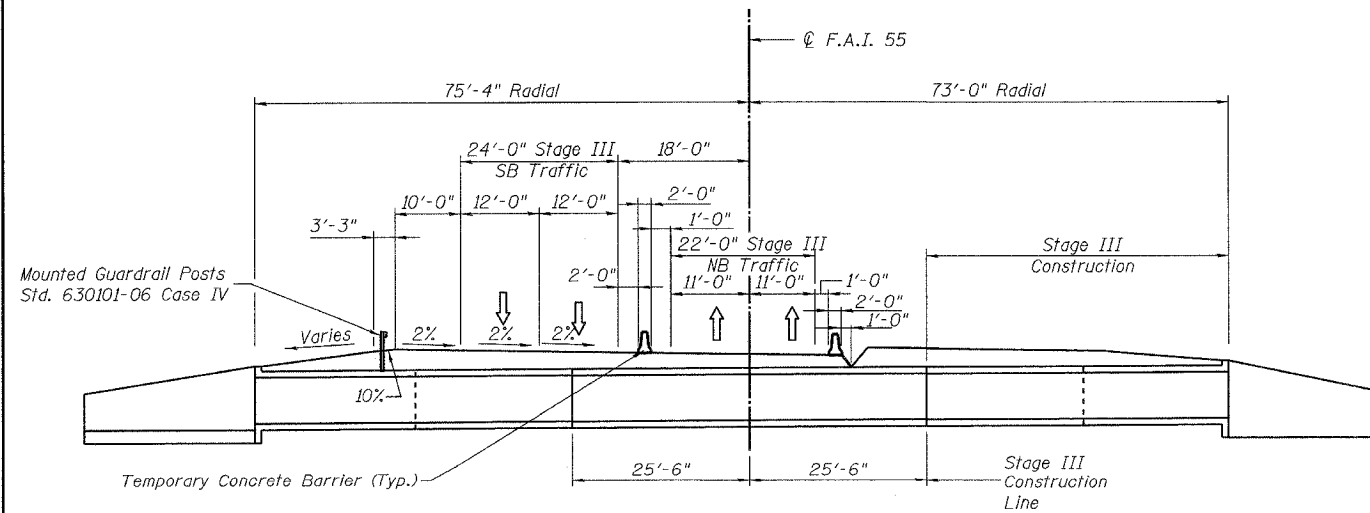
All dimensions measured radial to  $\phi$  of Roadway  
Complete Left Lanes, and Left Shoulder.  
Construct Barrier at Centerline

**LEGEND**

Indicates portions of Existing Structure to be removed

**NOTES**

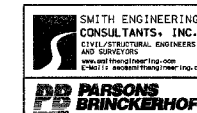
Work this sheet with sheets S-3, S-5, and S-9.



**STAGE III CONSTRUCTION**

All dimensions measured radial to  $\phi$  of Roadway

DESIGNED	M Herding
CHECKED	N Fekroddin
DRAWN	M Williams
CHECKED	N Fekroddin



REVISIONS	
NAME	DATE

ILLINOIS DEPARTMENT OF TRANSPORTATION	
STAGE CONSTRUCTION DETAILS	
I-55 OVER	
LILY CACHE SLOUGH	
F.A.I. ROUTE 55 SECTION 2006-032 BY	
WILL COUNTY	
STA. 772+61.10	
SN 099-0407	
DATE	07-05-2006