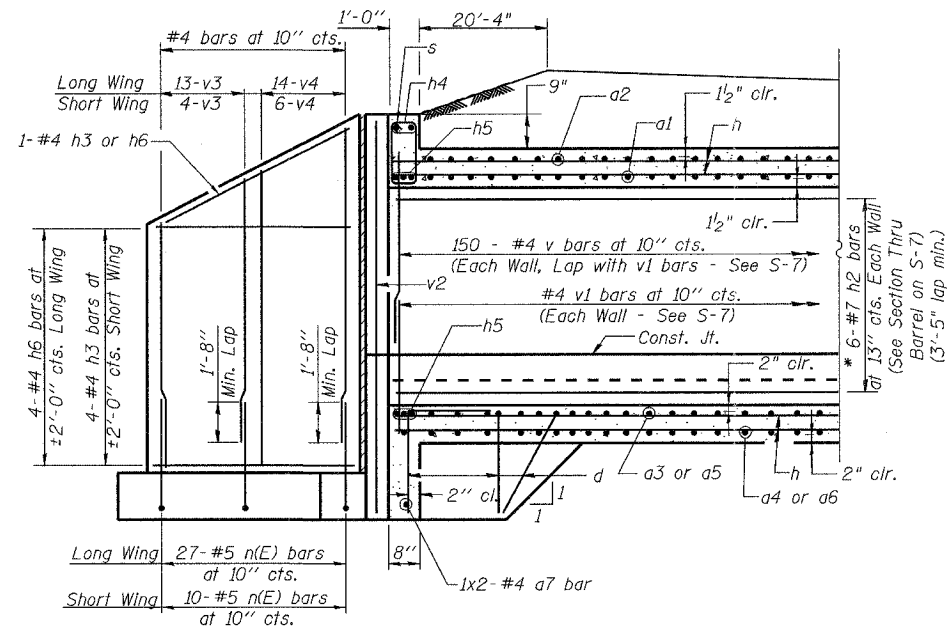


STATE OF ILLINOIS  
DEPARTMENT OF TRANSPORTATION

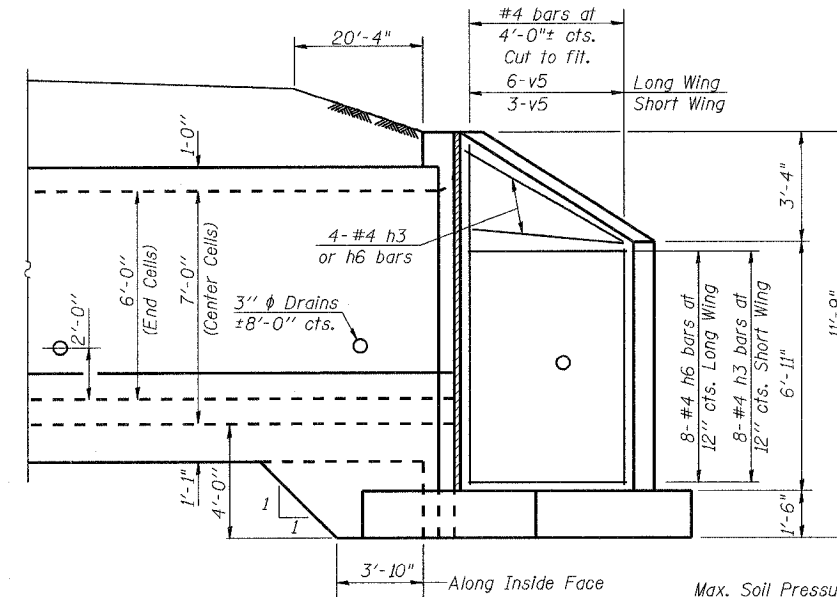
ROUTE NO.	SECTION	COUNTY	TOTAL SHEETS	SHEET NO.
F.A.I. 55	2006-032 BY	WILL	505	405
FED. ROAD DIST. NO.		ILLINOIS	FED. AID PROJECT-	

SHEET NO. S-6  
S-10 SHEETS

CONTRACT #: 60B86



REINF.-BACK FACE OF WINGWALL



LONGITUDINAL END SECTION

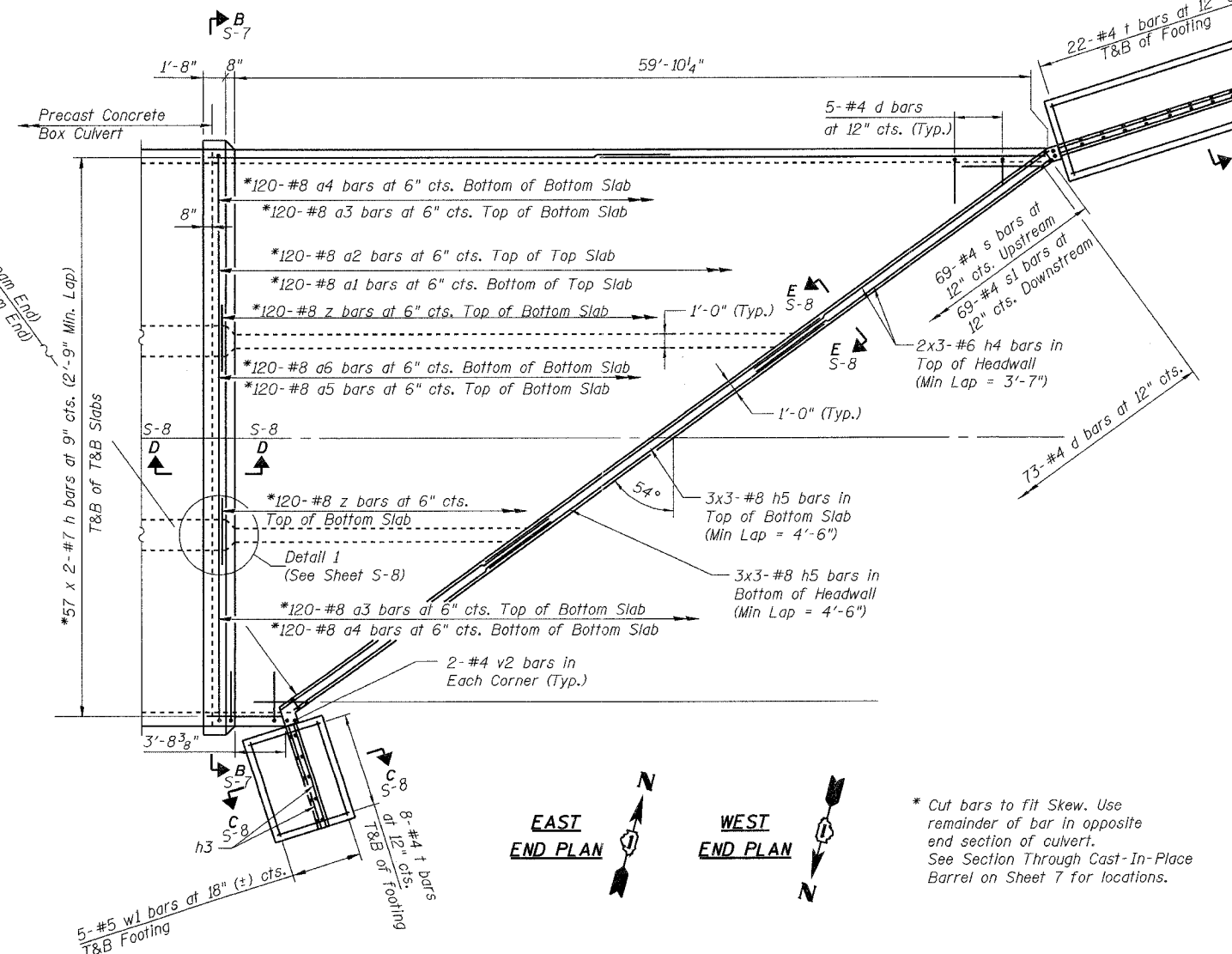
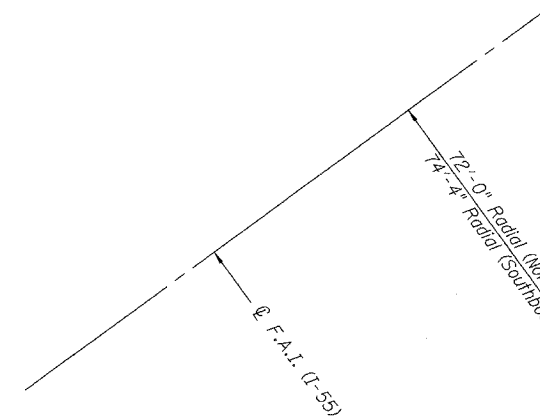
Dimensions are Radial to Center Roadway

REINF.-FRONT FACE OF WINGWALL

Along Inside Face  
Max. Soil Pressure under footing = 2,500 psf

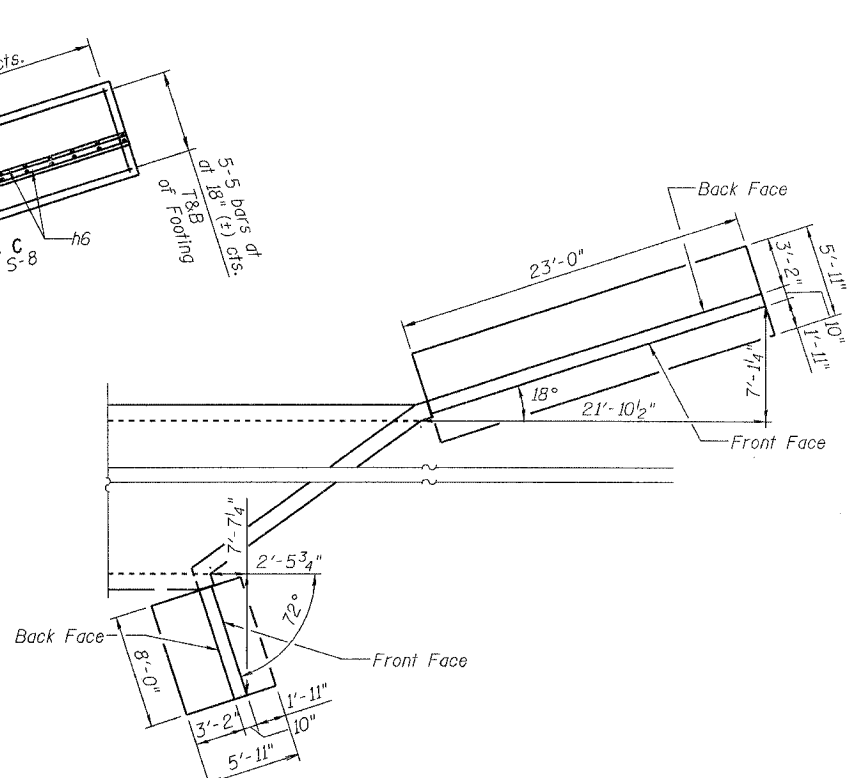
NOTES

Work this sheet with sheets S-7 and S-8.  
For Sections B-B see sheet S-7.  
For Sections C-C, D-D, E-E, and Bill of Materials see Sheet S-8.



EAST END PLAN

WEST END PLAN



WINGWALL DIMENSIONS

(Upstream End is shown, Downstream End is similar)

\* Cut bars to fit Skew. Use remainder of bar in opposite end section of culvert. See Section Through Cast-In-Place Barrel on Sheet 7 for locations.

DESIGNED	M Harding
CHECKED	N Fakroddin
DRAWN	M Williams
CHECKED	N Fakroddin



REVISIONS	
NAME	DATE

ILLINOIS DEPARTMENT OF TRANSPORTATION	
END SECTION DETAILS	
I-55 OVER	
LILY CACHE SLOUGH	
F.A.I. ROUTE 55 SECTION 2006-032 BY	
WILL COUNTY	
STA. 772+61.10	
SN 099-0407	
DATE	07-05-2006