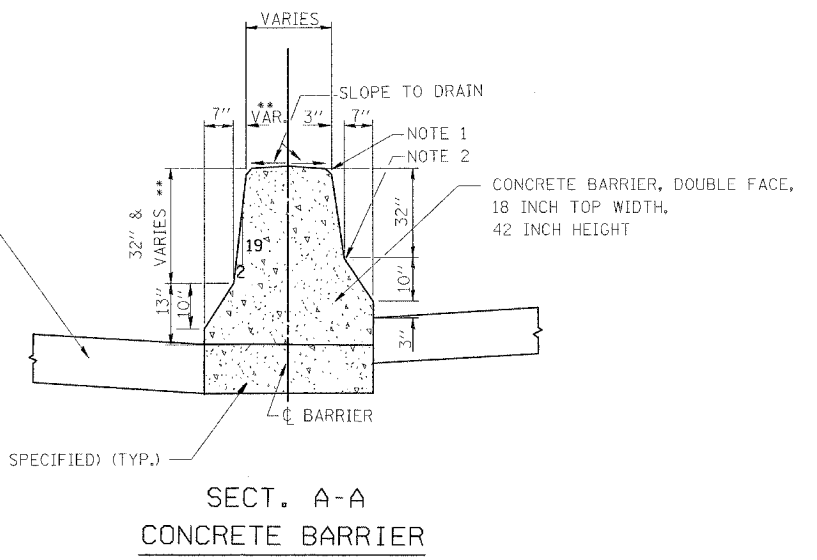
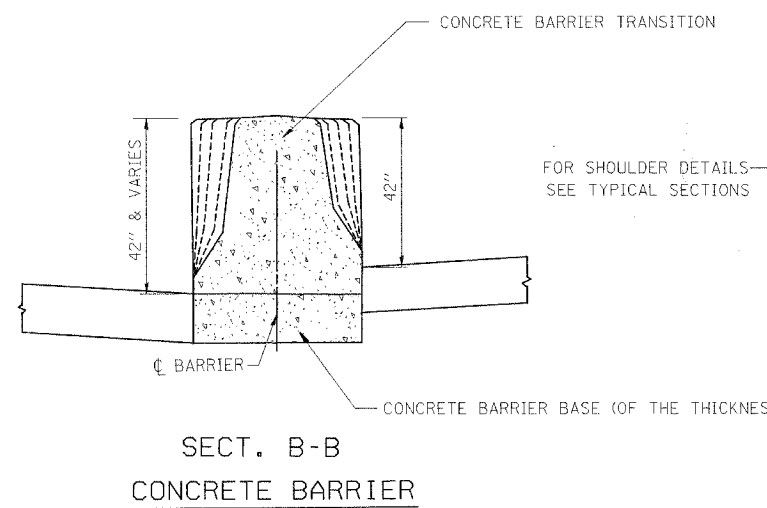
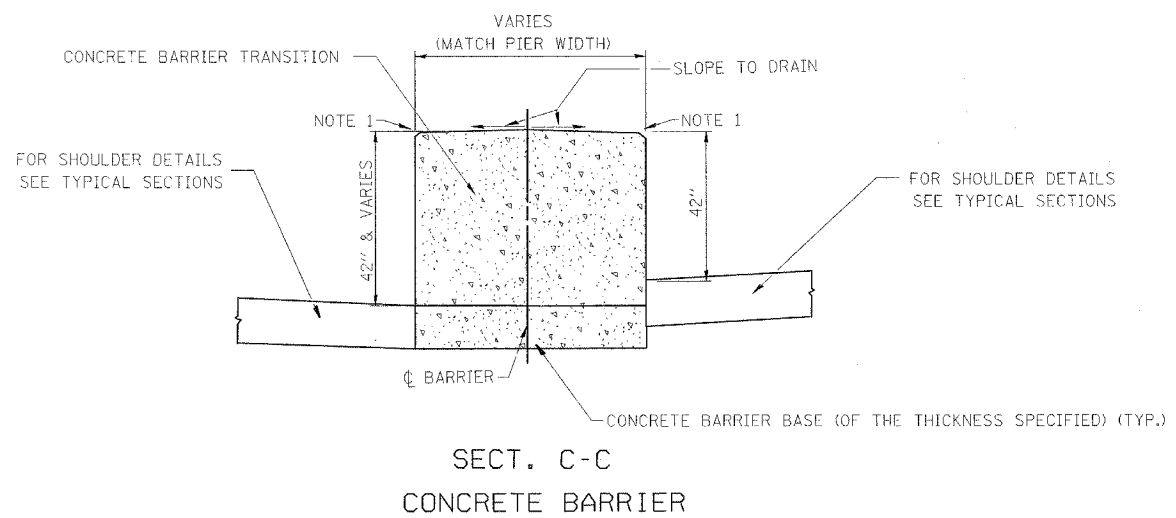
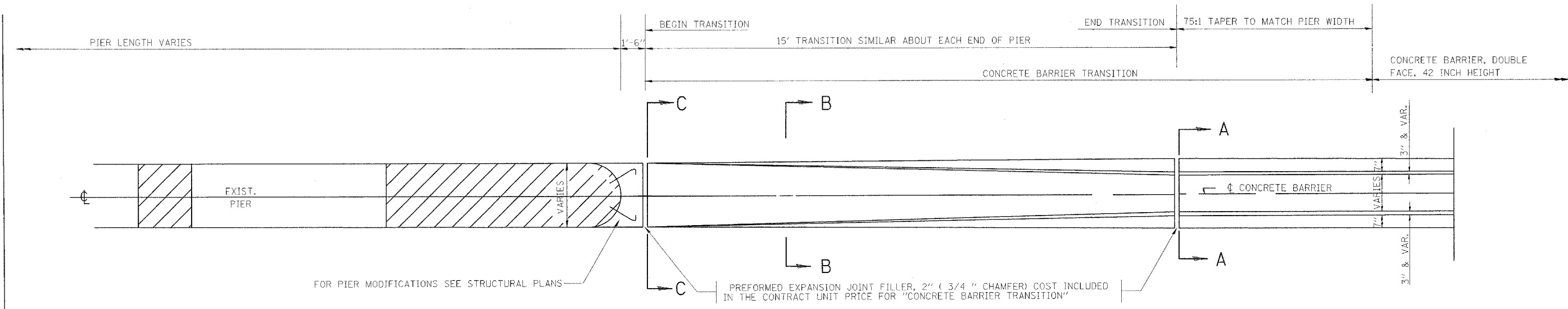


GENERAL NOTES - PREFORMED JOINT FILLER SHALL BE INCLUDED IN THE CONTRACT UNIT PRICE FOR CONCRETE BARRIER TRANSITION.

F.A.P. RTE.	SECTION	COUNTY	TOTAL SHEETS	SHEET NO.
55	2006-032 BY	WILL	505	410
STA.		TO STA.		
FED. ROAD DIST. NO.		ILLINOIS FED. AID PROJECT		



NOTE 1 - 3/4" CHAMFER OR 1" RADIUS (OPTIONAL)

NOTE 2 - 10" RADIUS (OPTIONAL)

** MAINTAIN SLOPE OF FACE AS SHOWN ON DETAIL. HEIGHT AND WIDTH OF BARRIER INCREASE WHERE A DIFFERENCE IN MEDIAN EDGE-OF-PAVEMENT GRADE ELEVATION EXISTS.

REVISIONS	
NAME	DATE

ILLINOIS DEPARTMENT OF TRANSPORTATION
 FAI ROUTE 55
 US 30 (PLAINFIELD ROAD) TO LILY CACHE SLOUGH

CONCRETE BARRIER
 TRANSITION DETAIL

SCALE: NONE

SCALE: NONE

DATE: 06-30-06

DRAWN BY RH

CHECKED BY DVS

