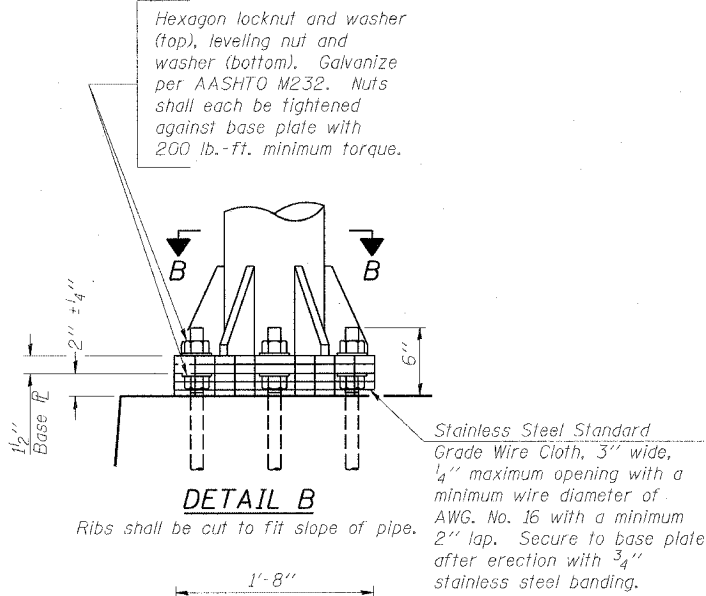
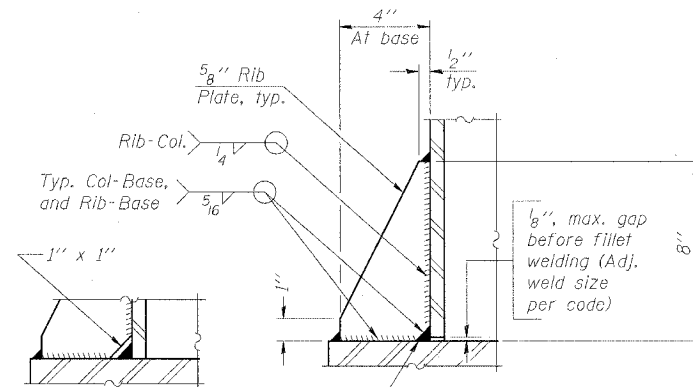


STATE OF ILLINOIS
DEPARTMENT OF TRANSPORTATION

ROUTE NO.	SECTION	COUNTY	TOTAL SHEETS	SHEET NO.
F.A.I. RTE. 90/94		COOK	565	261
FED. ROAD DIST. NO. 1	ILLINOIS	FED. AID PROJECT		
(1818, ETC. 2324-6-1P) R-10			62301	

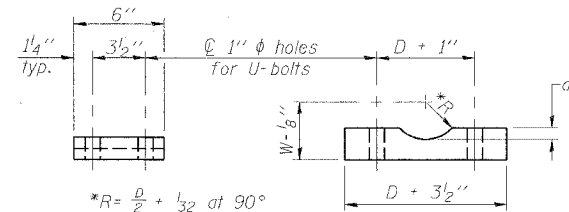


DETAIL B



SECTION D-D

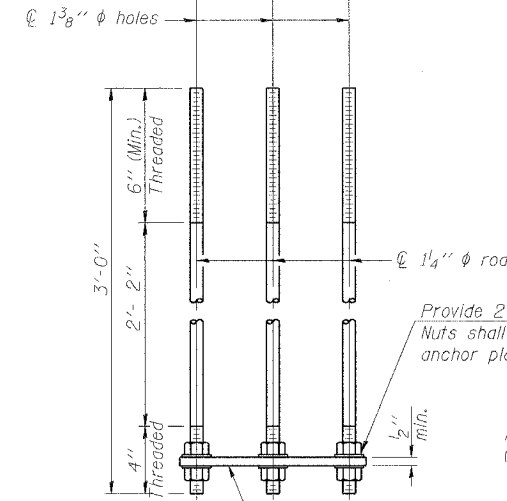
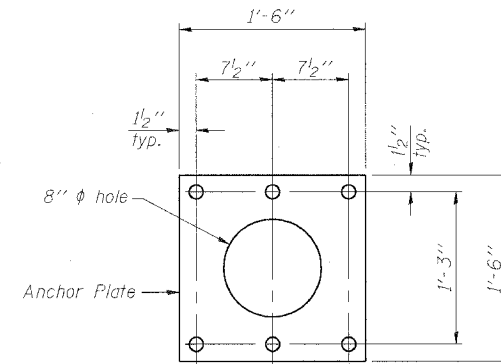
** Alternate detail if welding col. to base plate first, then snip inside corner of ribs. Terminate weld on rib 1/4" from snip.



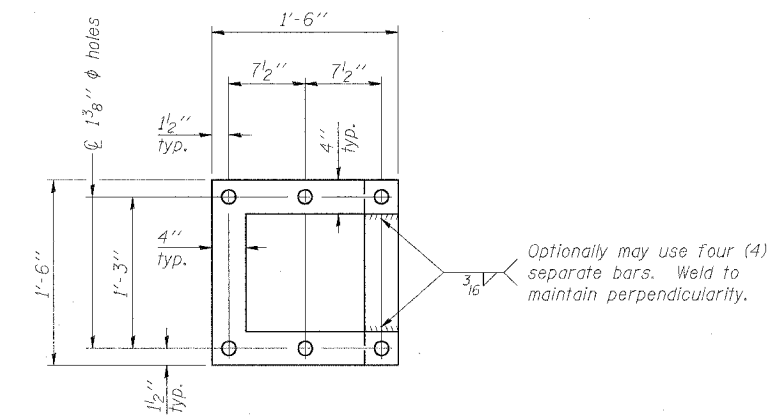
SADDLE SHIM DETAIL

ASTM B26 Alloy 356-F
or
ASTM B209 Alloy 6061-T651
(4 required per sign truss)

Truss Chord Nominal Dia.	a
5"	3/4"
5 1/2"	13/16"
6"	7/8"
6 1/2"	15/16"
7"	1"

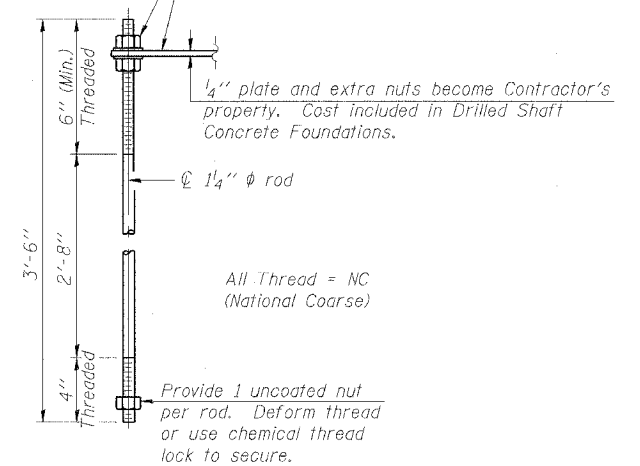


ANCHOR ROD DETAIL
Spread Footing Foundation



POSITIONING PLATE(S)

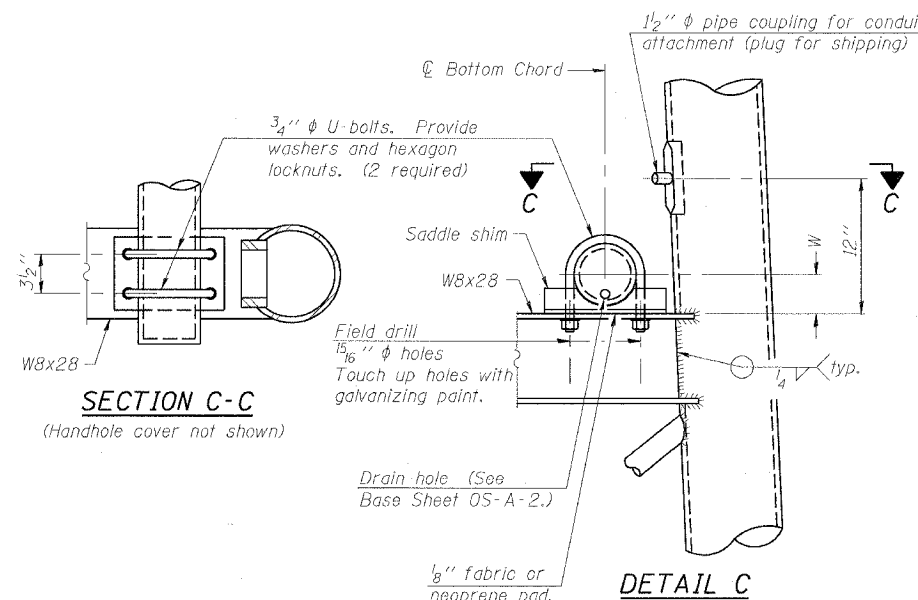
At each location, provide 1/4" thick positioning plate(s) and six (6) additional nuts to be used with leveling nuts to maintain anchor bolts position during concrete placement.



ANCHOR ROD DETAIL
Drilled Shaft Foundation

Anchor rods shall conform to AASHTO M314 Grade 36 or 50 and meet Charpy V-Notch (CVN) energy of 15 lb.-ft. at 40° F. Galvanize upper 12" per AASHTO M232. No welding shall be permitted on rods.

10" ϕ PIPE SUPPORT FRAME DETAILS



SECTION C-C

DETAIL C

NUMBER	REVISION	DATE

DESIGNED - JSS	20
CHECKED - RDP	EXAMINED
DRAWN - JSS	PASSED
CHECKED - RDP	ENGINEER OF BRIDGES AND STRUCTURES

OS-A-6A 1-7-05

SGN-19

OVERHEAD SIGN STRUCTURES
SUPPORT FRAME DETAILS ALUMINUM TRUSS

F.A.I. 90/94 (DAN RYAN EXPRESSWAY)
GARFIELD BLVD TO 31ST STREET (NB LOCAL LANES)
PROPOSED IMPROVEMENT
GARFIELD BLVD TO 31ST STREET

6/7/2006 11:29:57 AM