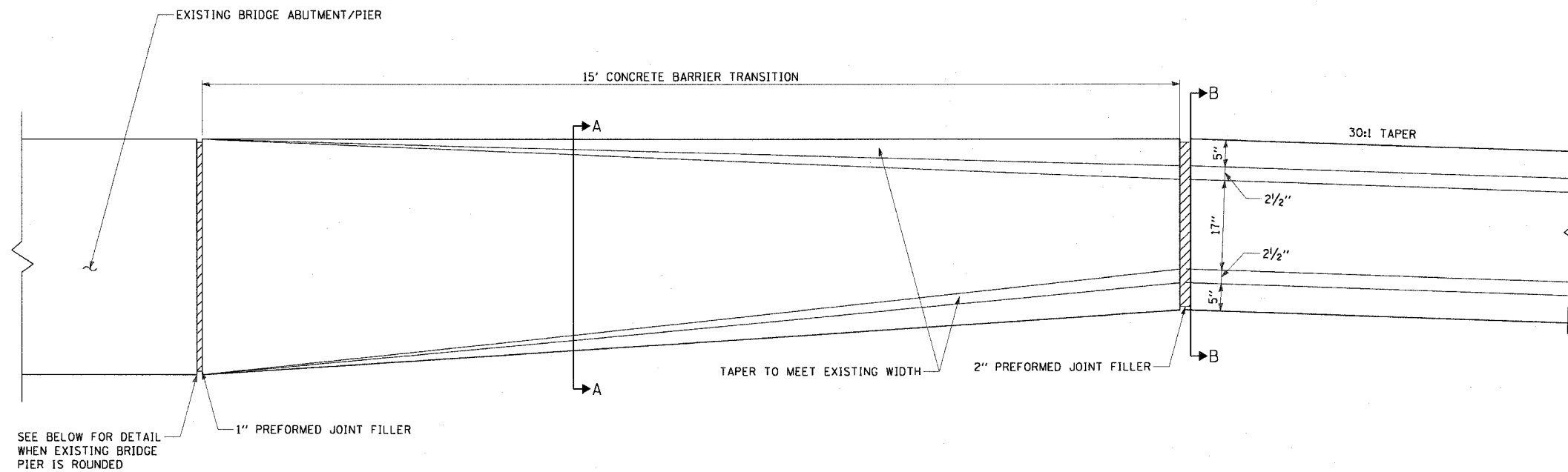
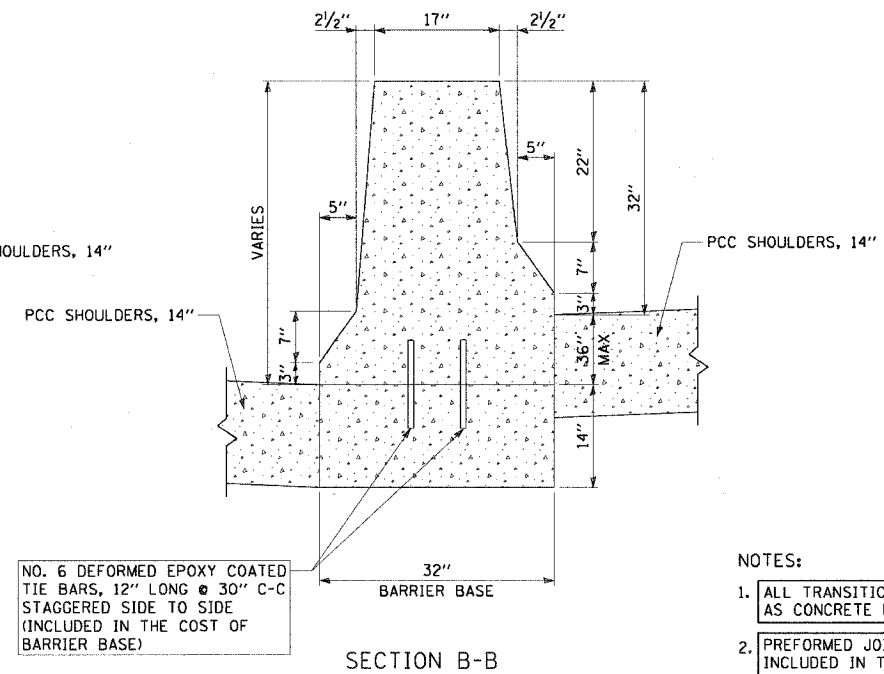
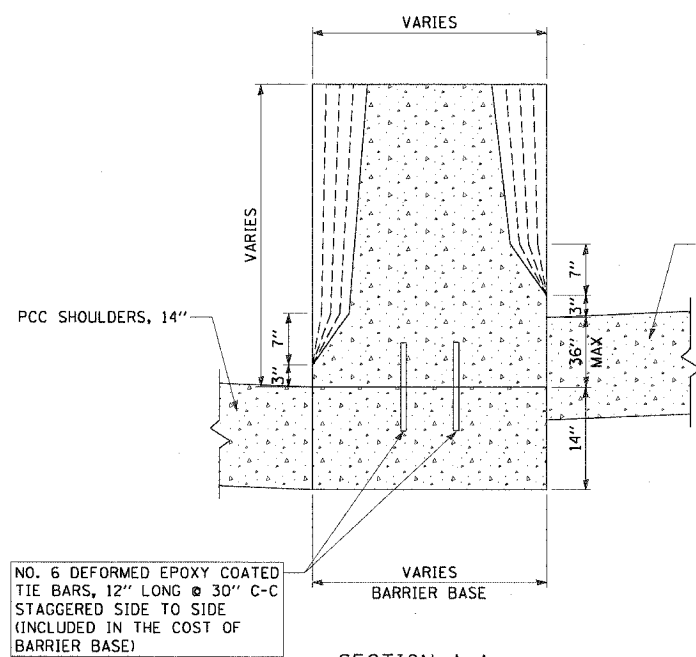
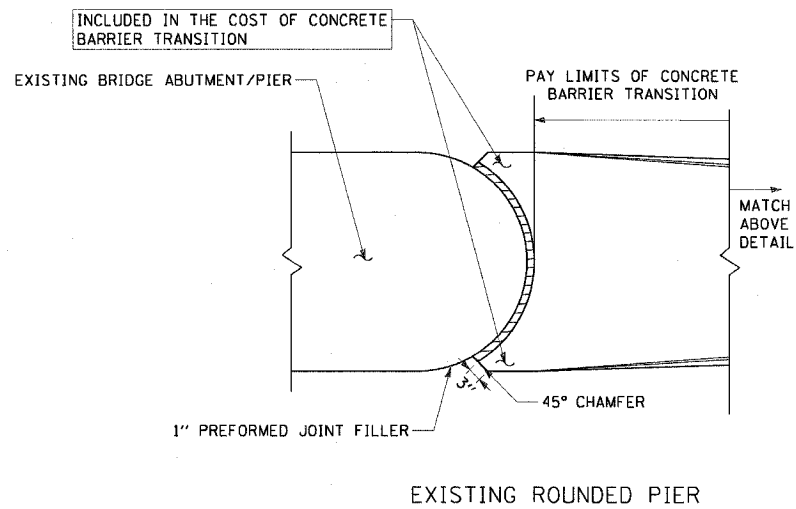


F.A.I. RTE.	SECTION	COUNTY	TOTAL SHEETS	SHEET NO.
90/94		COOK	565	331
STA.	TO STA.			
FED. ROAD DIST. NO. 1 ILLINOIS FED. AID PROJECT				
62301 • (2021-922 PT2 ETC 2324.6-1P) R-10				

DOUBLE FACE CONCRETE BARRIER TRANSITION  
N.T.S.



SEE BELOW FOR DETAIL WHEN EXISTING BRIDGE PIER IS ROUNDED



NOTES:

- ALL TRANSITIONS SHALL BE PAID FOR AS CONCRETE BARRIER TRANSITION
- PREFORMED JOINT FILLER SHALL BE INCLUDED IN THE COST OF THE CONCRETE BARRIER TRANSITION.

REVISIONS	
NAME	DATE

ILLINOIS DEPARTMENT OF TRANSPORTATION  
F.A.I. 90/94 (DAN RYAN EXPRESSWAY)  
GARFIELD BLVD TO 31ST STREET (NB LOCAL LANES)

ROADWAY DETAILS  
DOUBLE FACE CONCRETE BARRIER TRANSITION

SCALE: NONE  
DATE: June 9, 2006

DRAWN BY: NJH  
CHECKED BY: RMC

6/7/2006 1:47:27 PM D:\p40463\civ\NB-ctfrs 1B & 15\shncfr 15v\roadway details\rdt2a.rvt