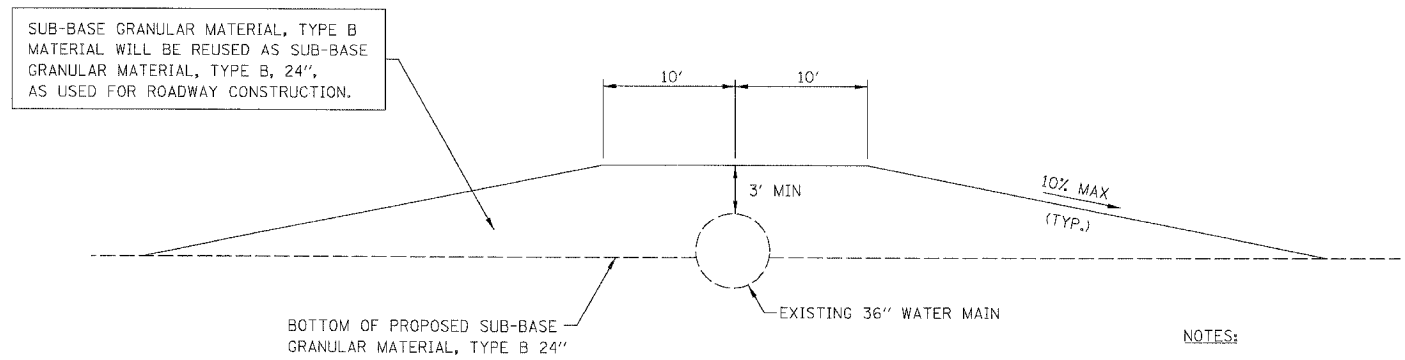


F.A.I.	SECTION	COUNTY	TOTAL SHEETS	SHEET NO.
94/90		COOK	565	346
STA.	TO STA.			
FED. ROAD DIST. NO.	ILLINOIS	FED. AID PROJECT		
62301	• (2021-922 PT2 ETC 2324.6-1P) R-10			



SUB-BASE GRANULAR MATERIAL, TYPE B MATERIAL WILL BE REUSED AS SUB-BASE GRANULAR MATERIAL, TYPE B, 24", AS USED FOR ROADWAY CONSTRUCTION.

EXISTING 36" WATER MAIN

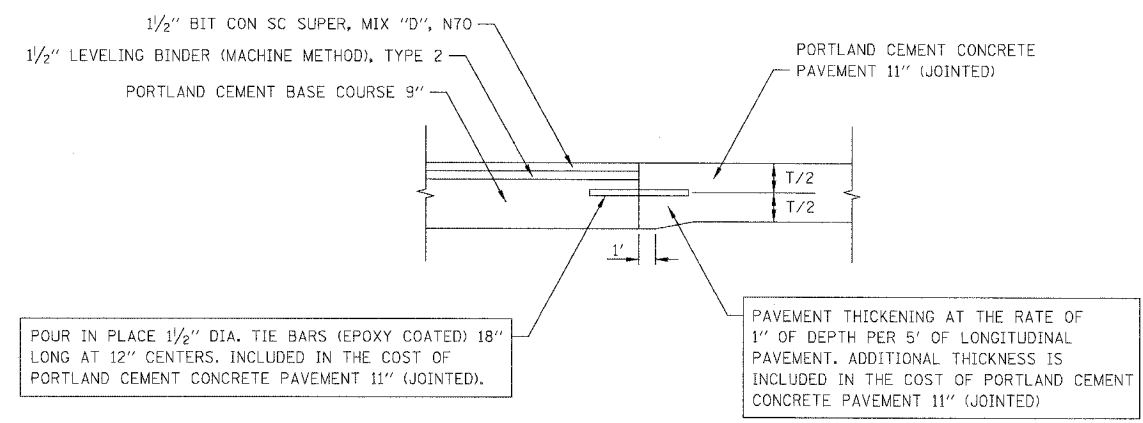
3' MIN

10% MAX (TYP.)

BOTTOM OF PROPOSED SUB-BASE GRANULAR MATERIAL, TYPE B 24"

**CONSTRUCTION PROTECTION**  
STA. 4533+69

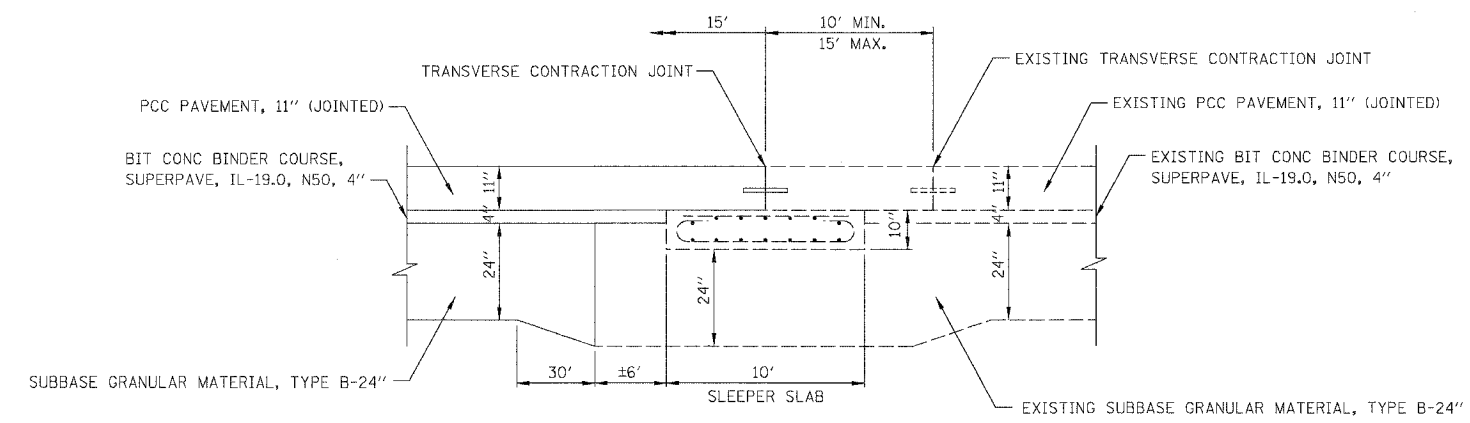
- NOTES:
- CONTRACTOR WILL PROVIDE A MINIMUM COVER, AS SHOWN ABOVE AT ALL TIMES DURING CONSTRUCTION AND PRIOR TO THE INSTALLATION OF THE PERMANENT WATER MAIN PROTECTION CAP. CONSTRUCTION TRAFFIC SHALL NOT CROSS THE WATER MAIN PIPE WITHOUT PROTECTION IN PLACE.
  - CONTRACTOR IS RESPONSIBLE FOR THE INTEGRITY OF THE WATER MAIN PIPE THROUGH OUT THE DURATION OF THE PROJECT AND WILL NOT BE PAID FOR ANY REPAIRS REQUIRED, AS DETERMINED BY THE ENGINEER, TO THE PIPE, DUE TO CONSTRUCTION ACTIVITIES.



POUR IN PLACE 1/2" DIA. TIE BARS (EPOXY COATED) 18" LONG AT 12" CENTERS. INCLUDED IN THE COST OF PORTLAND CEMENT CONCRETE PAVEMENT 11" (JOINTED).

PAVEMENT THICKENING AT THE RATE OF 1" OF DEPTH PER 5' OF LONGITUDINAL PAVEMENT. ADDITIONAL THICKNESS IS INCLUDED IN THE COST OF PORTLAND CEMENT CONCRETE PAVEMENT 11" (JOINTED)

**PAVEMENT TRANSITION BETWEEN FRONTAGE ROAD AND RAMP**



**SLEEPER SLAB INTERFACE**

- RAMP T35C STA 8024+43.4
- RAMP T39B STA 6022+99.0
- RAMP 35B STA 6004+13.9
- RAMP 31C STA 8004+20.6

- NOTES:
- 10 MIL. POLYETHYLENE BOND BREAKER WAS PLACED ON THE EXISTING SLEEPER SLABS BY THE PREVIOUS CONTRACT ALONG WITH A 3" PREFORMED EXPANSION JOINT AT THE TEMPORARY PAVEMENT LIMIT. THE EXISTING SLEEPER SLABS MUST NOT BE DAMAGED BY THE TEMPORARY CONCRETE PAVEMENT REMOVAL OPERATIONS DONE BY THIS CONTRACT.
  - THE AREAS OF VARYING HEIGHT SUB-BASE GRANULAR MATERIAL, TYPE B WILL BE PAID FOR AS SUB-BASE GRANULAR MATERIAL, TYPE B-24".

BOWMAN, BARRETT & ASSOCIATES INC.  
CONSULTING ENGINEERS  
Chicago, Illinois  
312.228.0100  
www.bbainc.com

REVISIONS		ILLINOIS DEPARTMENT OF TRANSPORTATION F.A.I. 94/90 (DAN RYAN EXPRESSWAY) GARFIELD BLVD TO 31ST STREET (NB LOCAL LANES) ROADWAY DETAILS CONSTRUCTION PROTECTION PVT TRAN BTWN FRONTAGE RD & RAMP SLEEPER SLAB INTERFACE
NAME	DATE	
		SCALE: NONE
		DATE: 06/09/06
		DRAWN BY: JDC
		CHECKED BY: RS

RDT-15

6/7/2006 PM