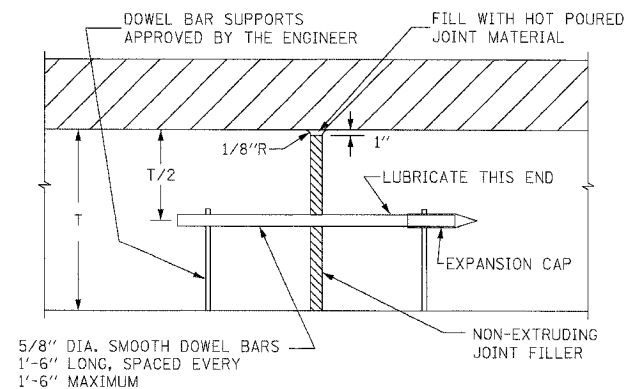
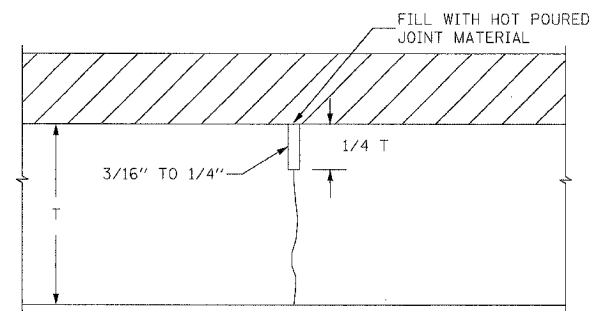


F.A.I.	SECTION	COUNTY	TOTAL SHEETS	SHEET NO.
94/90	*	COOK	565	350
STA.	TO STA.			
FED. ROAD DIST. NO.	ILLINOIS FED. AID PROJECT			
62301	* (2021-922 FT2 ETC 2324.6-1P) R-10			

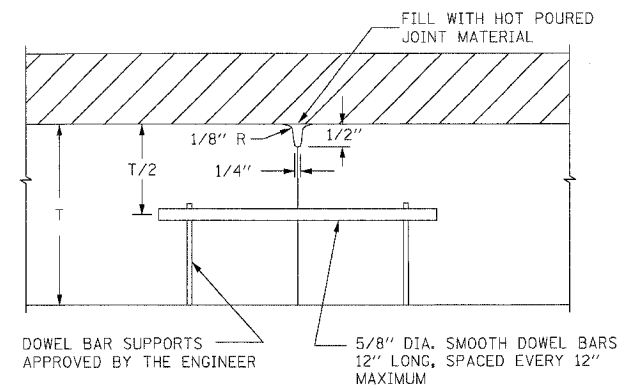
P.C.C. BASE COURSE JOINT DETAILS



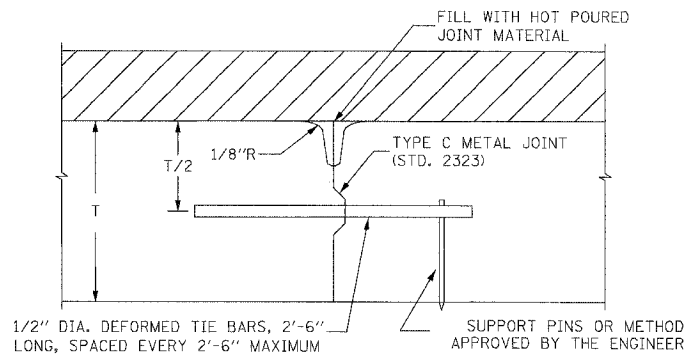
TYPE A
EXPANSION JOINT
(MAY BE CONSTRUCTION JOINT)



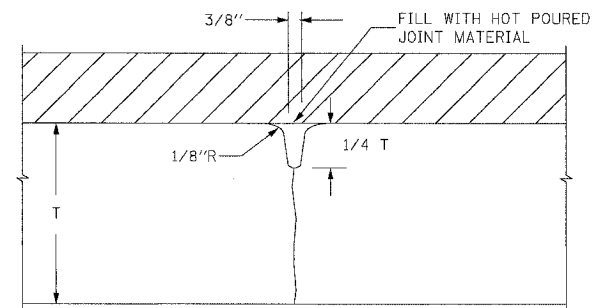
TYPE D
SAWED CONTRACTION JOINT
LONGITUDINAL OR TRANSVERSE



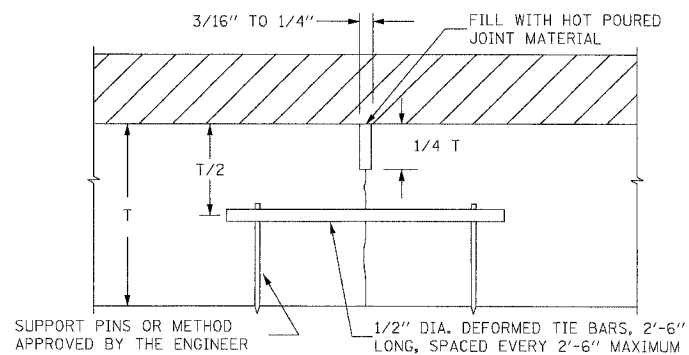
TYPE E
TRANSVERSE CONSTRUCTION JOINT



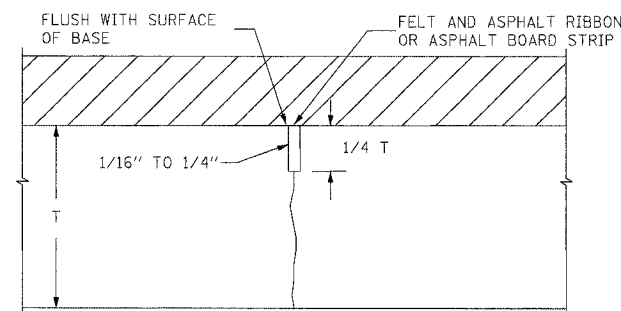
TYPE B
KEYED CONSTRUCTION JOINT
LONGITUDINAL OR TRANSVERSE



TYPE D
DUMMY GROOVE CONTRACTION JOINT
TRANSVERSE ONLY



TYPE C
SAWED LONGITUDINAL JOINT



TYPE D
PREMOLDED CONTRACTION JOINT
TRANSVERSE ONLY

NOTES:

1. DEFORMED TIE BARS SHALL CONFORM TO THE REQUIREMENTS OF AASHTO M-31 OR M-53 WITH AN ELONGATION NOT LESS THAN 20%.
2. HOT POURED JOINT MATERIAL SHALL CONFORM TO THE REQUIREMENTS OF AASHTO SPECIFICATION M-173-60 FOR CONCRETE JOINT SEALER.
3. ALL TIE BARS AND DOWEL BARS ARE TO BE EPOXY COATED.
4. SPLIT BOARD HEADERS WILL NOT BE ALLOWED.

BOWMAN, BARRETT & ASSOCIATES INC.
CONSULTING ENGINEERS
Chicago, Illinois
312.228.0100
www.bbainc.com



SHEET 2 OF 2

REVISIONS	
NAME	DATE

ILLINOIS DEPARTMENT OF TRANSPORTATION
F.A.I. 94/90 (DAN RYAN EXPRESSWAY)
GARFIELD BLVD TO 31ST STREET (NB LOCAL LANES)
ROADWAY DETAILS
CITY STANDARD DETAILS
PAVEMENT JOINT DETAILS
SCALE: NONE
DATE: 06/09/06
DRAWN BY: CTE
CHECKED BY: JDC

RDT-18B

5/7/2006
11:53 PM