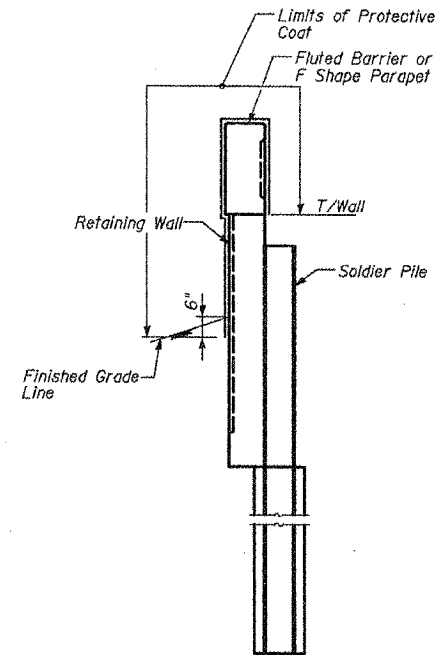
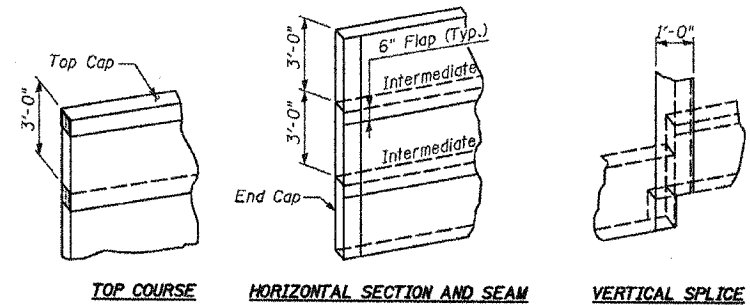


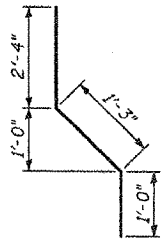
F.A.I.	SECTION	COUNTY	TOTAL SHEETS	SHEET NO.
94/90		COOK	565	402
STA.	TO STA.			
FED. ROAD DIST. NO.	ILLINOIS	FED. AID PROJECT		
62301	*12021-922 PT2 ETC 2324.6-1P1 R-10			



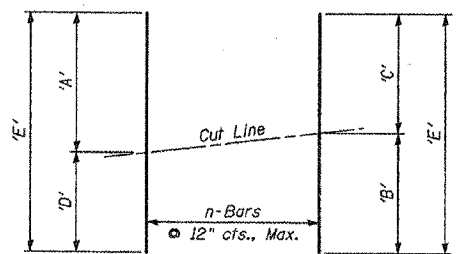
**DETAIL OF LIMITS OF PROTECTIVE COAT**



**GEOCOMPOSITE WALL DRAIN DETAILS**



**BAR d1(E)**



**\* BAR CUTTING DIAGRAM**

\* Order bars v3(E) thru v10(E) and v17(E) thru v24(E) full length, cut as shown and use remainder where indicated.

**TABLE OF DIMENSIONS**

Bar	'A'	'B'	'C'	'D'	'E'	n
v3(E)	6'-6"	6'-10"	6'-11"	7'-3"	13'-9"	12
v4(E)	3'-8"	4'-0"	4'-1"	4'-5"	8'-1"	12
v5(E)	7'-3"	7'-7"	7'-8"	8'-0"	15'-3"	12
v6(E)	4'-5"	4'-9"	4'-10"	5'-2"	9'-7"	12
v7(E)	8'-0"	8'-2"	8'-3"	8'-5"	16'-5"	12
v8(E)	5'-2"	5'-4"	5'-5"	5'-7"	10'-9"	12
v9(E)	8'-5"	8'-7"	8'-7"	8'-9"	17'-2"	12
v10(E)	5'-7"	5'-9"	5'-9"	5'-11"	11'-6"	12
v17(E)	8'-8"	8'-5"	8'-5"	8'-2"	16'-10"	12
v18(E)	5'-10"	5'-7"	5'-7"	5'-4"	11'-2"	12
v19(E)	8'-2"	7'-11"	7'-11"	7'-8"	15'-10"	12
v20(E)	5'-4"	5'-1"	5'-1"	4'-10"	10'-2"	12
v21(E)	7'-8"	7'-4"	7'-3"	6'-11"	14'-7"	12
v22(E)	4'-10"	4'-6"	4'-5"	4'-1"	8'-11"	12
v23(E)	6'-11"	6'-9"	6'-8"	6'-6"	13'-5"	12
v24(E)	4'-1"	3'-11"	3'-10"	3'-8"	7'-9"	12

**BILL OF MATERIAL**

Bar	No.	Size	Length	Shape	
d1(E)	450	#5	4'-7"		
e1(E)	48	#5	23'-8"		
e2(E)	96	#5	26'-2"		
h1(E)	72	#5	23'-8"		
h2(E)	142	#5	26'-2"		
v1(E)	150	#6	6'-6"		
v2(E)	150	#5	3'-8"		
v3(E)	12	#6	13'-9"		
v4(E)	12	#5	8'-1"		
v5(E)	12	#6	15'-3"		
v6(E)	12	#5	9'-7"		
v7(E)	12	#6	16'-5"		
v8(E)	12	#5	10'-9"		
v9(E)	12	#6	17'-2"		
v10(E)	12	#5	11'-6"		
v11(E)	25	#6	8'-10"		
v12(E)	25	#5	6'-0"		
v13(E)	50	#6	8'-11"		
v14(E)	50	#5	6'-1"		
v15(E)	25	#6	8'-9"		
v16(E)	25	#5	5'-11"		
v17(E)	12	#6	16'-10"		
v18(E)	12	#5	11'-2"		
v19(E)	12	#6	15'-10"		
v20(E)	12	#5	10'-2"		
v21(E)	12	#6	14'-7"		
v22(E)	12	#5	8'-11"		
v23(E)	12	#6	13'-5"		
v24(E)	12	#5	7'-9"		
Reinforcement Bars, Epoxy Coated				Pound	18,810
Concrete Structures				Cu. Yd.	87.4
Concrete Superstructures				Cu. Yd.	54.9
Chain Link Fence, 42" Attached to Structure (Special)				Foot	424
Rustication Finish				Sq. Ft.	2,374
Protective Coat				Sq. Yd.	311

SHEET 6 OF 9

BOWMAN, BARRETT & ASSOCIATES INC.  
CONSULTING ENGINEERS  
Chicago, Illinois  
312.228.0100  
www.bbainc.com

REVISIONS	
NAME	DATE
REVISOR	6/20/06

ILLINOIS DEPARTMENT OF TRANSPORTATION  
F.A.I. 94/90 (DAN RYAN EXPRESSWAY)  
GARFIELD BLVD TO 31ST STREET (NB LOCAL LANES)

**RETAINING WALL N-43N-F  
BILL OF MATERIAL**

SCALE: NTS  
DATE: JUNE 9, 2006  
DRAWN BY: MTR  
CHECKED BY: BLU

6/23/2006 2:59:04 PM