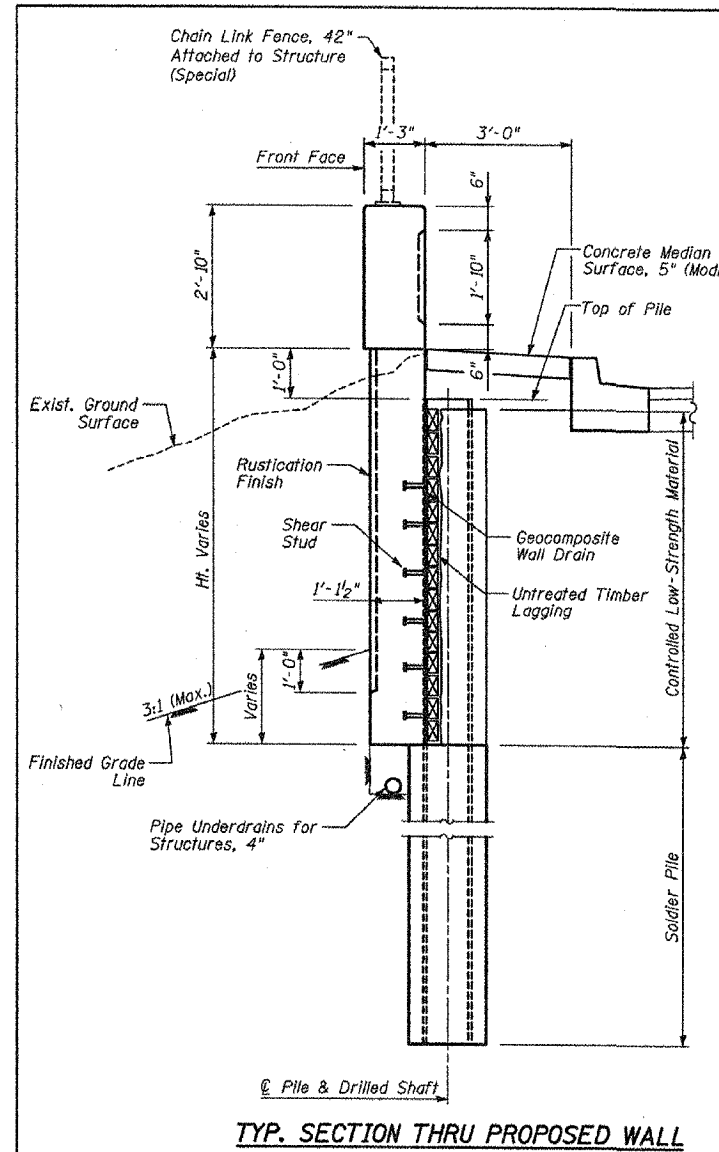
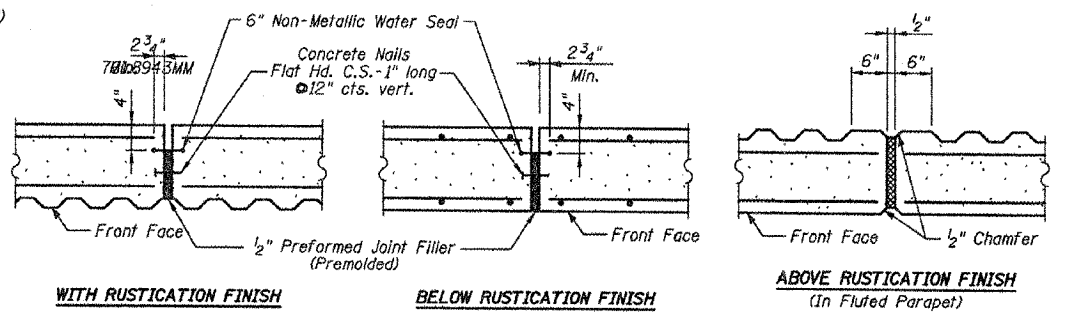
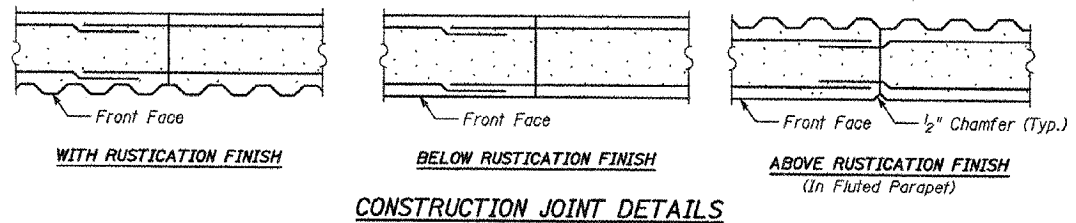


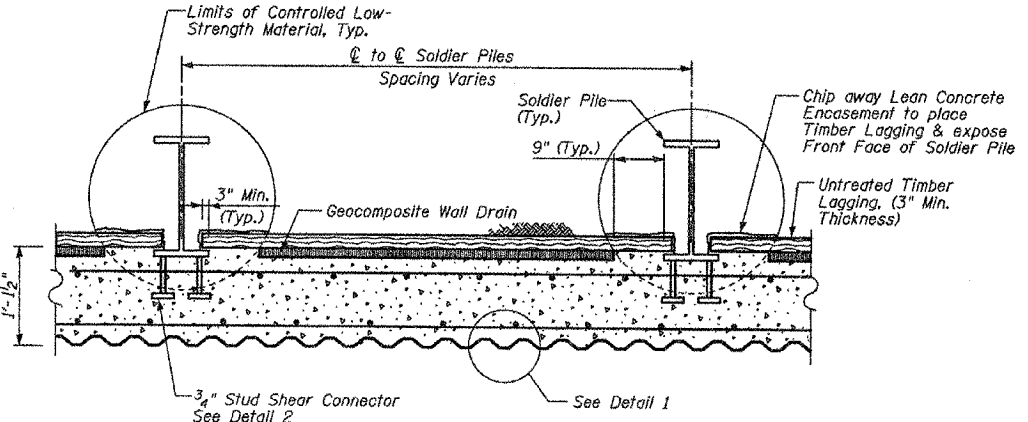
F.A.I.	SECTION	COUNTY	TOTAL SHEETS	SHEET NO.
94/90		COOK	565	411
STA.	TO STA.			
FED. RHD DIST. NO.	ILLINOIS FED. AID PROJECT			
62301	*12021-922 PT2 ETC 2324.6-1P1 R-10			



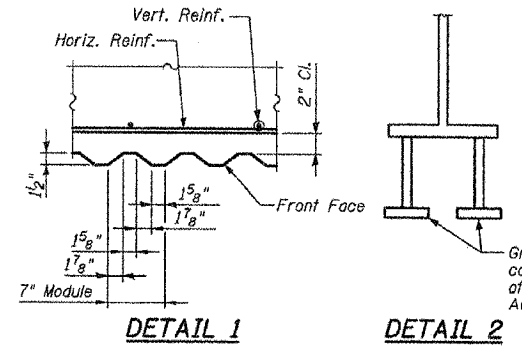
TYP. SECTION THRU PROPOSED WALL



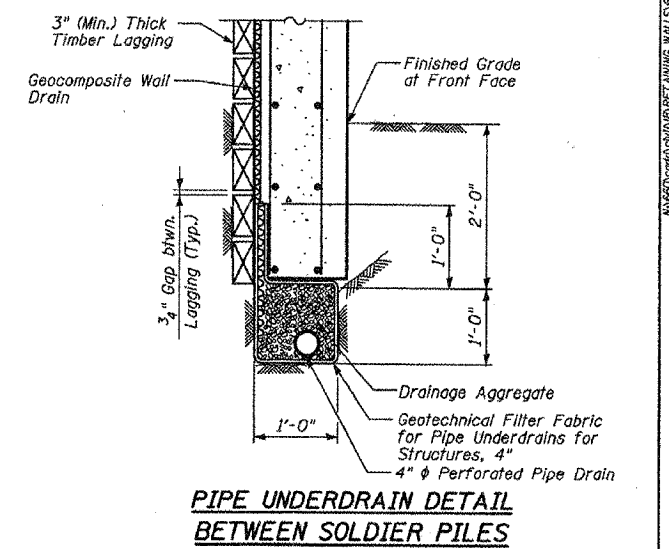
EXPANSION JOINT DETAILS
Cost of P.J.F., Water Seal and Concrete Nails included with Concrete Structures.



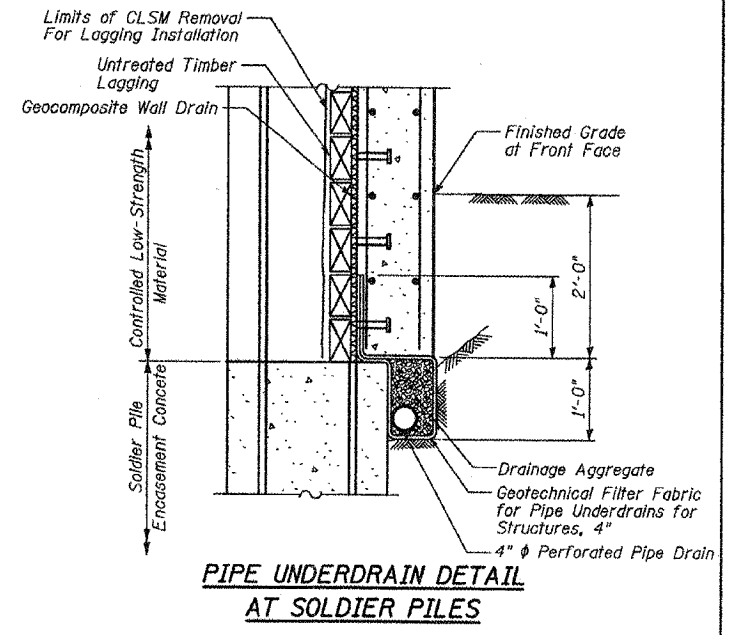
SECTION THRU SOLDIER PILE WALL



DETAIL 1 DETAIL 2



PIPE UNDERDRAIN DETAIL BETWEEN SOLDIER PILES



PIPE UNDERDRAIN DETAIL AT SOLDIER PILES

BOWMAN, BARRETT & ASSOCIATES INC.
CONSULTING ENGINEERS
Chicago, Illinois
312.228.0100
www.bbainc.com

REVISIONS		SHEET 6 OF 9	
NAME	DATE	ILLINOIS DEPARTMENT OF TRANSPORTATION	
REVISED	06/21/06	F.A.I. 94/90 (DAN RYAN EXPRESSWAY)	
		GARFIELD BLVD TO 31ST STREET (NB LOCAL LANES)	
		RETAINING WALL N-43S-R	
		MISCELLANEOUS DETAILS	
		SCALE: NTS	DRAWN BY: MTR
		DATE: JUNE 9, 2006	CHECKED BY: BLU

6/23/2006 2:30:55 PM