

F.A.I.	SECTION	COUNTY	TOTAL SHEETS	SHEET NO.
94/90	*	COOK	565	415
STA.	TO STA.			
FED. ROAD DIST. NO.	ILLINOIS	FED. AID PROJECT		
62301	*12021-922 PT2 ETC	2324.6-1P1	R-10	

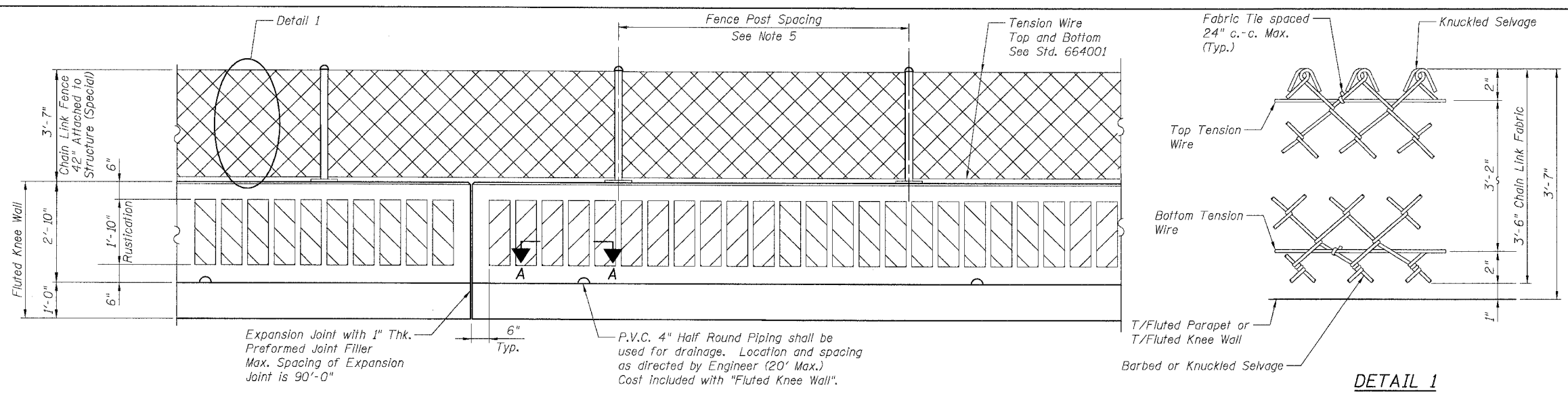
BILL OF MATERIAL

Item	Unit	Qty.*
Structure Excavation	Cu. Yd.	0.15
Concrete Structures	Cu. Yd.	0.15
Concrete Superstructure	Cu. Yd.	0.13
Reinforcement Bars, Epoxy Coated	Pound	0.15
Rustication Finish	Sq. Ft.	23
Protective Coat	Sq. Yd.	0.62

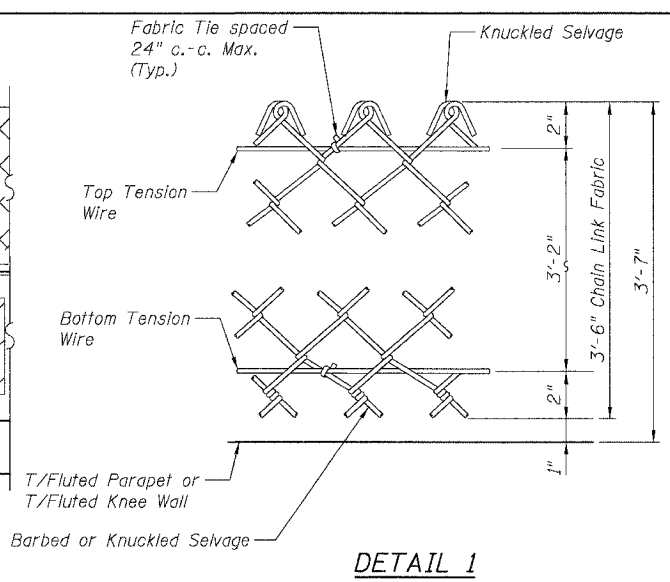
* Quantities are per foot of Fluted Knee Wall and are provided for estimating purposes only. See Note 8.

NOTES:

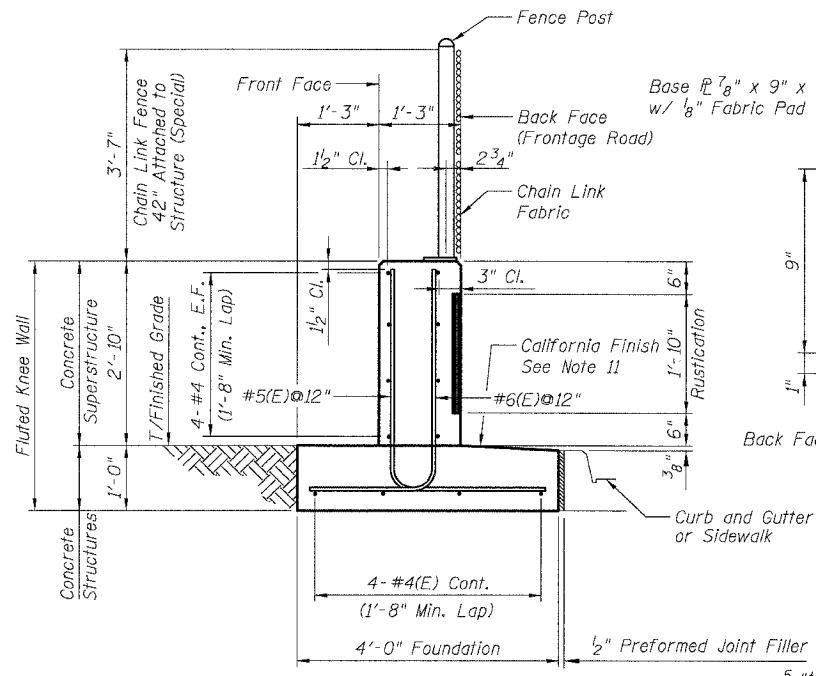
- Back Face is face adjacent to Frontage Rd. and Front Face is face adjacent to Expressway.
- Concrete: $f'c = 3500$ psi
- In lieu of the Cast-in-Place Anchor Bolt Assembly shown, the Contractor has the option of Drilling and Grouting $\frac{1}{2}$ " diameter Anchor Rods with Hex Nuts and $\frac{1}{4}$ " diameter washers. Embedment shall be according to Manufacturer's specifications using HVA Adhesive Anchor as manufactured by Hilti, Inc. or approved equal. Weld Nuts to Anchor Bolt after installation. Cost included with "Chain Link Fence, 42" Attached to Structure (Special)".
- For additional Chain Link Fence Details see Std. 664001.
- See Retaining Wall Details for Fence Post Spacing.
- Fluted Knee Wall with Top Mounted Fence shall be paid for per Foot under the two pay items "Fluted Knee Wall" and "Chain Link Fence, 42" Attached to Structure (Special)".
- At locations where Fluted Knee Wall abuts a rigid Structure, a 1" thick Preformed Expansion Joint Filler conforming to the shape of the Structure shall be installed between the Wall and the Structure.
- "Fluted Knee Wall" shall include Concrete Superstructure stem, Concrete Structures foundation, Reinforcement Bars, Epoxy Coated, all form liners for Rustication Finish, Protective Coat, Structure Excavation and Preformed Joint Filler (P.J.F.).
- Apply Protective Coat to top and front face of stem and top of Frontage Road side of foundation.
- Provide California Finish on top of foundation between stem and Frontage Road. See Roadway Details. Eliminate 2" wide trim margin along stem and broom 18" perpendicular to stem. Cost included with "Fluted Knee Wall".



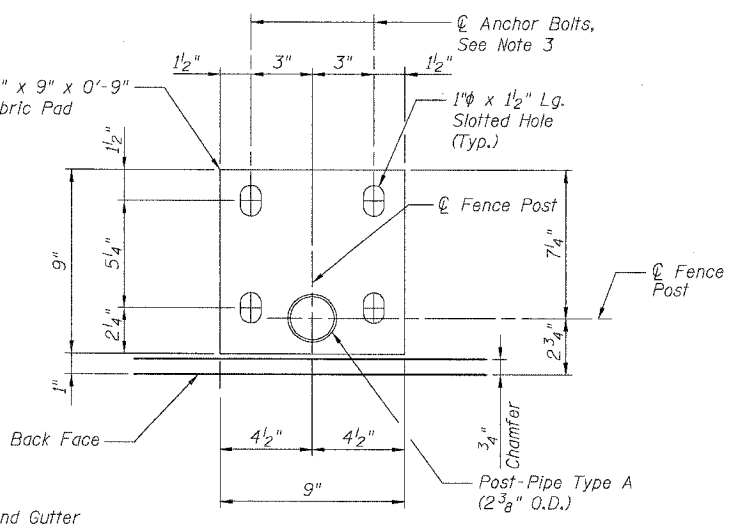
BACK FACE ELEVATION - FLUTED KNEE WALL AND CHAIN LINK FENCE, 42" ATTACHED TO STRUCTURE (SPECIAL)



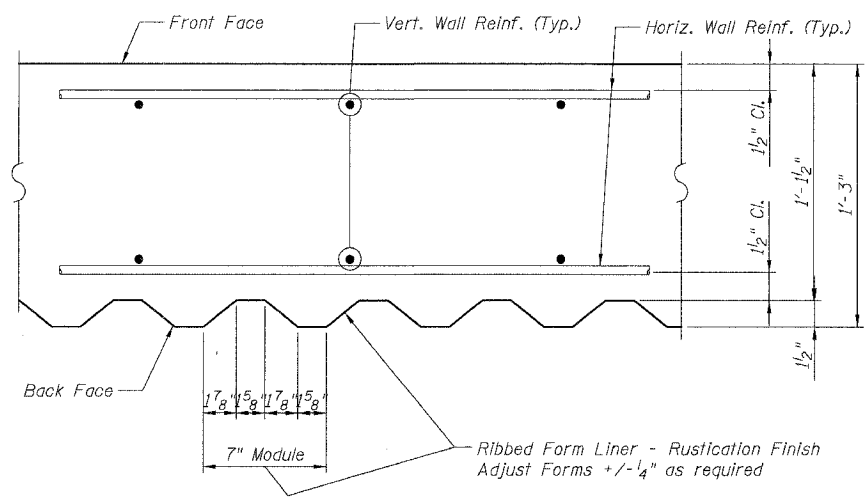
DETAIL 1



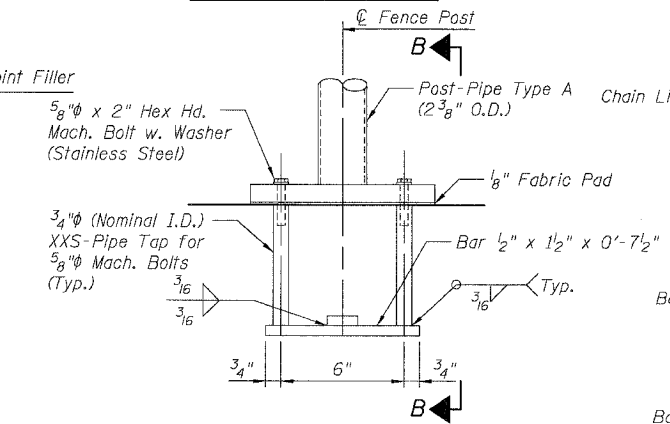
TYPICAL SECTION FLUTED KNEE WALL



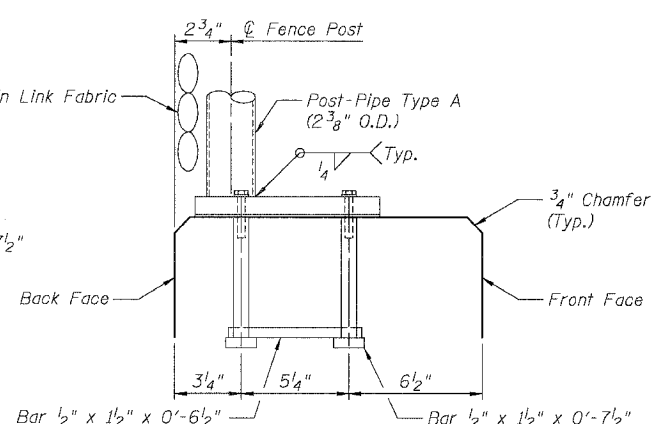
BASE PLATE PLAN



SECTION A-A



ELEVATION



SECTION B-B

ANCHOR BOLT ASSEMBLY DETAILS

LEGEND:

- Chain Link Fabric
- Rustication Finish
- E.F. = Each Face

BOWMAN, BARRETT & ASSOCIATES INC.
CONSULTING ENGINEERS
Chicago, Illinois
312.228.0100
www.bbainc.com

REVISIONS	
NAME	DATE

SHEET SD1 OF SD11
ILLINOIS DEPARTMENT OF TRANSPORTATION
F.A.I. 94/90 (DAN RYAN EXPRESSWAY)
GARFIELD BLVD TO 31ST STREET (NB LOCAL LANES)
FLUTED KNEE WALL AND CHAIN LINK FENCE, 42" ATTACHED TO STRUCTURE (SPECIAL)
SCALE: NTS
DATE: JUNE 9, 2006
DRAWN BY: MTR
CHECKED BY: BLU

R:\EGD\9400\94\90\94\90\FIN\AWING WALLS\660105\FY1-DET.DWG