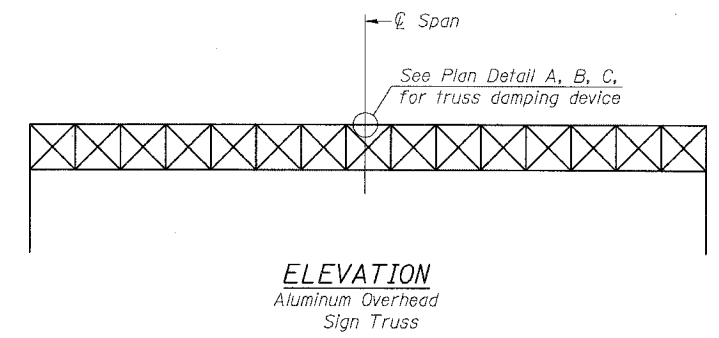
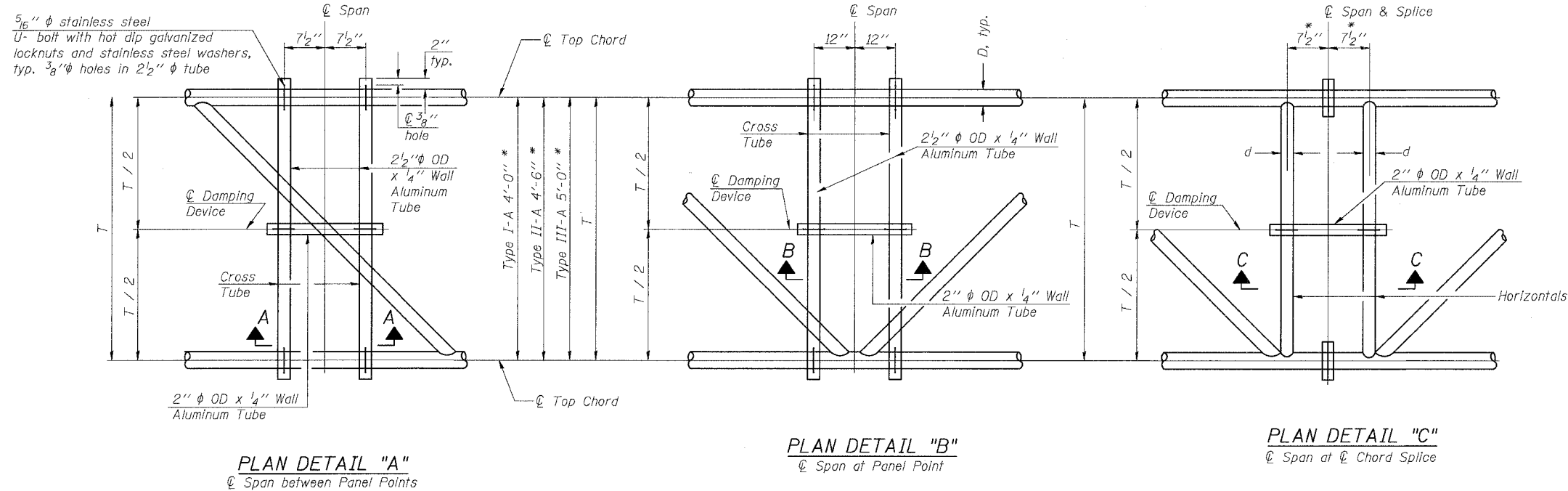


STATE OF ILLINOIS  
DEPARTMENT OF TRANSPORTATION

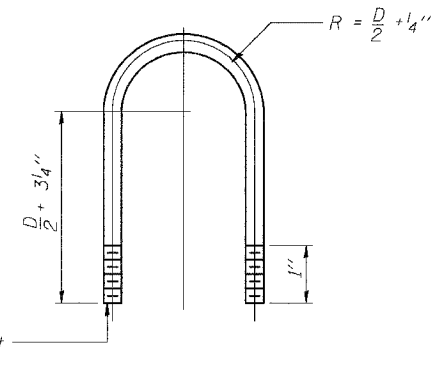
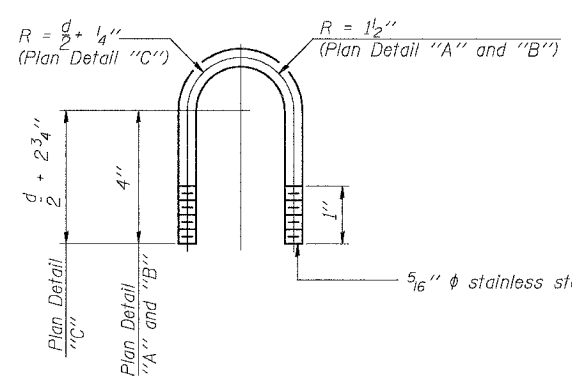
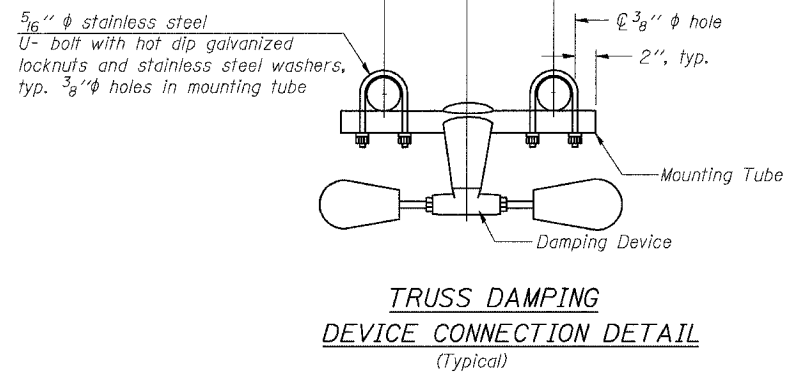
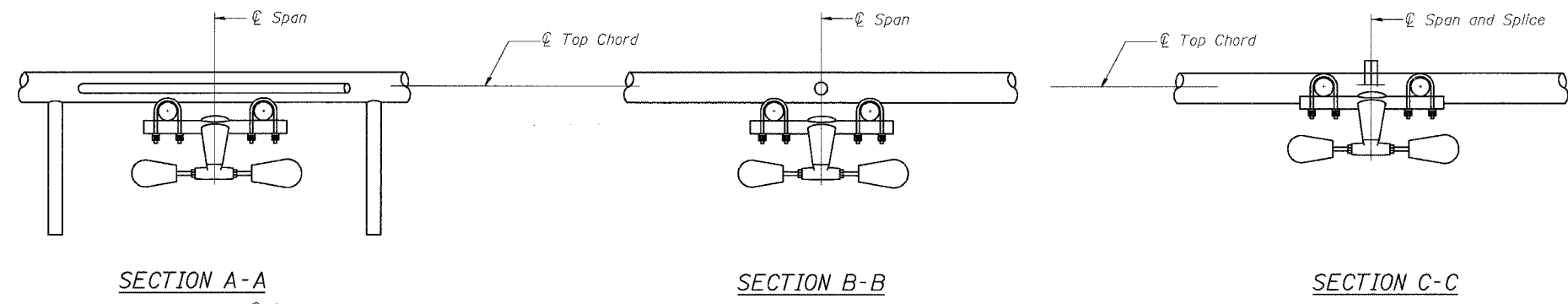
\* Center of horizontal to center of splice dimension may vary. Verify before drilling holes in mounting tube.

ROUTE NO.	SECTION	COUNTY	TOTAL SHEETS	SHEET
94/90	*	COOK	588	268

FED. ROAD DIST. NO. 1 ILLINOIS FED. AID PROJECT-  
\* 62303 (2021-922 PT2 ETC 2324.6-1P) R-11



**NOTES**  
Damper: One damper per truss.  
\*31 lbs. Stockbridge-Type Aluminum\*  
Cost Included in Overhead Sign Structure...  
Materials: Aluminum tubes shall be ASTM B221 alloy 6061 temper T6. Cost Included in Overhead Sign Structure...



DESIGNED	MSA	20
CHECKED	AS	EXAMINED
DRAWN	RV	PASSED
CHECKED	MSA	ENGINEER OF BRIDGES AND STRUCTURES

OS-A-D 1-7-05

OVERHEAD SIGN STRUCTURE  
DAMPING DEVICE  
ILLINOIS DEPARTMENT OF TRANSPORTATION  
F.A.I. 94/90 (DAN RYAN EXPRESSWAY)  
GARFIELD BLVD TO 31st STREET (SB LOCAL LANES)  
OVERHEAD SIGN STRUCTURES  
(SPAN)

SGN-18