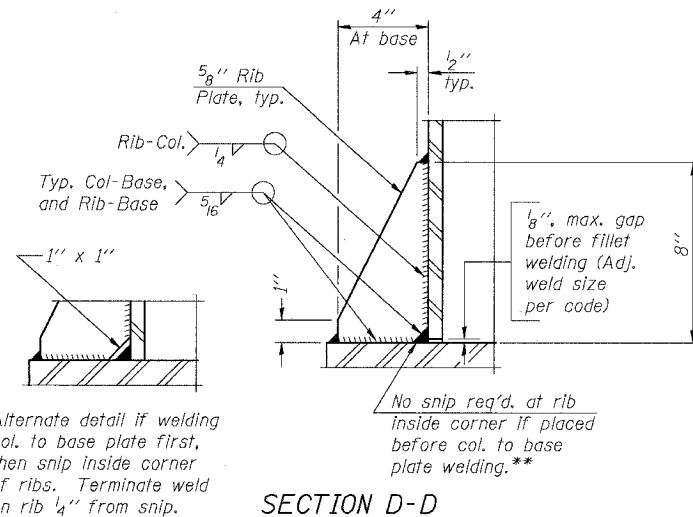
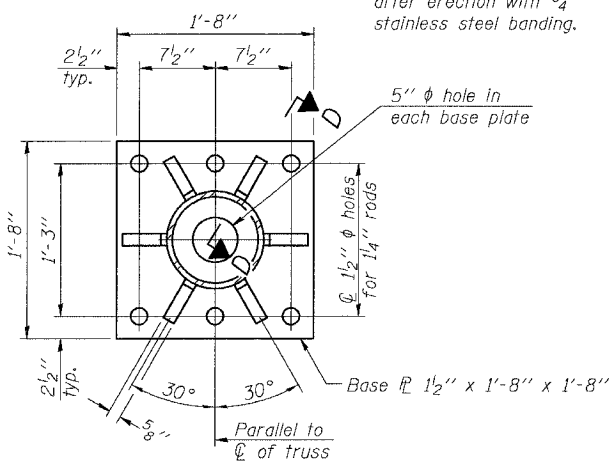
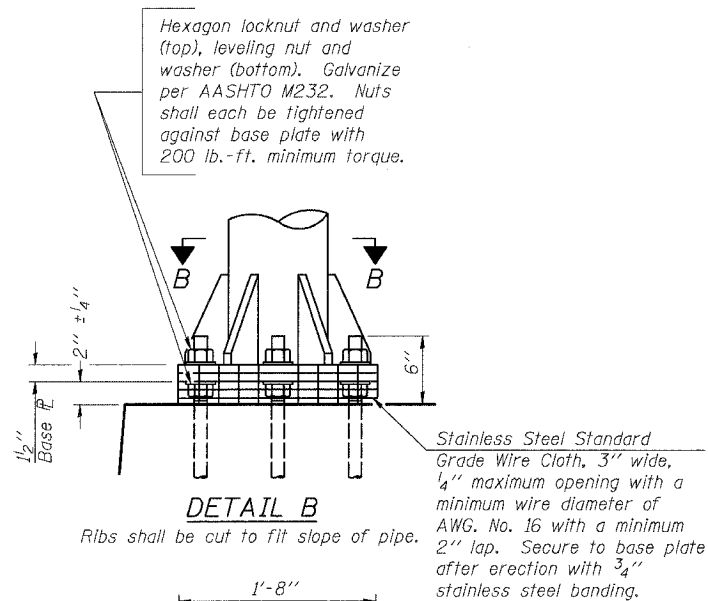


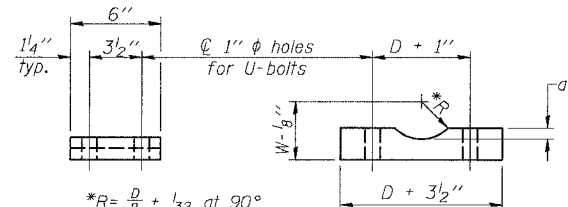
STATE OF ILLINOIS
DEPARTMENT OF TRANSPORTATION

ROUTE NO.	SECTION	COUNTY	TOTAL SHEETS	SHEET NO.
94/90	*	COOK	588	272
FED. ROAD DIST. NO. 1		ILLINOIS FED. AID PROJECT-		

* 62303 (2021-922 PT2 ETC 2324.6-1P) R-11



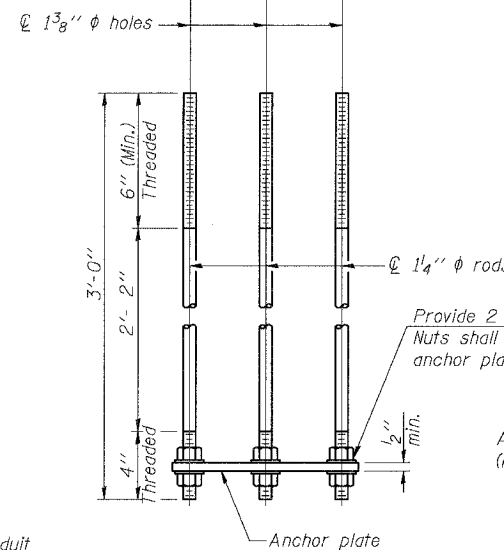
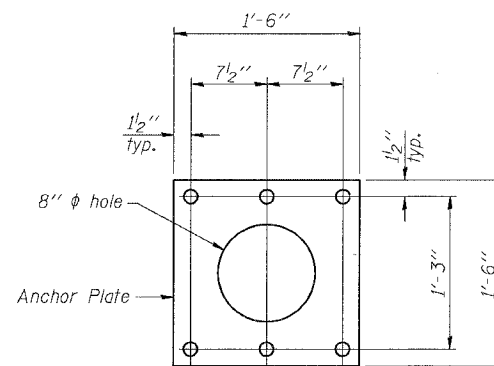
** Alternate detail if welding col. to base plate first, then snip inside corner of ribs. Terminate weld on rib 1/4" from snip.



D = Outside Diameter of Chord.
For W, see Base Sheet OS-A-6.

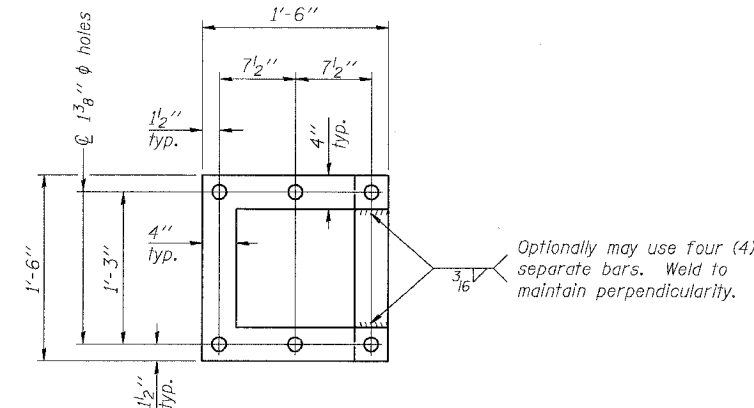
ASTM B26 Alloy 356-F
or
ASTM B209 Alloy 6061-T651
(4 required per sign truss)

Truss Chord Nominal Dia.	a
5"	3/4"
5 1/2"	13/16"
6"	7/8"
6 1/2"	15/16"
7"	1"



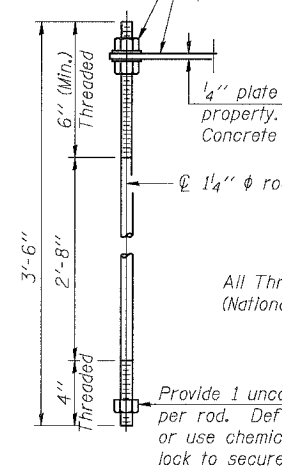
Provide 2 uncoated nuts per rod. Nuts shall be "snug tight" against anchor plate.

All Thread = NC (National Coarse)



At each location, provide 1/4" thick positioning plate(s) and six (6) additional nuts to be used with leveling nuts to maintain anchor bolts position during concrete placement.

1/4" plate and extra nuts become Contractor's property. Cost included in Drilled Shaft Concrete Foundations.

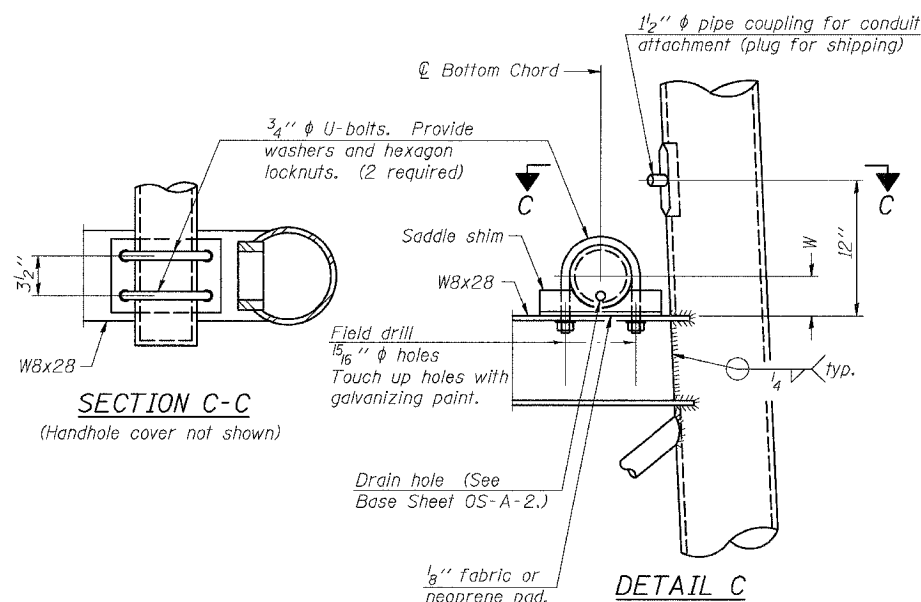


All Thread = NC (National Coarse)

Provide 1 uncoated nut per rod. Deform thread or use chemical thread lock to secure.

Anchor rods shall conform to AASHTO M314 Grade 36 or 50 and meet Charpy V-Notch (CVN) energy of 15 lb.-ft. at 40° F. Galvanize upper 12" per AASHTO M232. No welding shall be permitted on rods.

10" φ PIPE SUPPORT FRAME DETAILS



Drain hole (See Base Sheet OS-A-2.)

1/2" fabric or neoprene pad.

NUMBER	REVISION	DATE

DESIGNED	MSA	20
CHECKED	AS	EXAMINED
DRAWN	RV	PASSED
CHECKED	MSA	ENGINEER OF BRIDGES AND STRUCTURES

OS-A-6A

1-7-05

SGN-22

OVERHEAD SIGN STRUCTURES
SUPPORT FRAME DETAILS ALUMINUM TRUSS

ILLINOIS DEPARTMENT OF TRANSPORTATION
F.A.I. 94/90 (DAN RYAN EXPRESSWAY)
GARFIELD BLVD TO 31st STREET (SB LOCAL LANES)

OVERHEAD SIGN STRUCTURES
(SPAN)