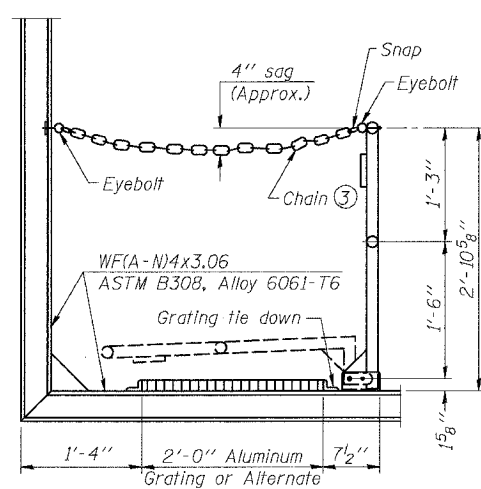


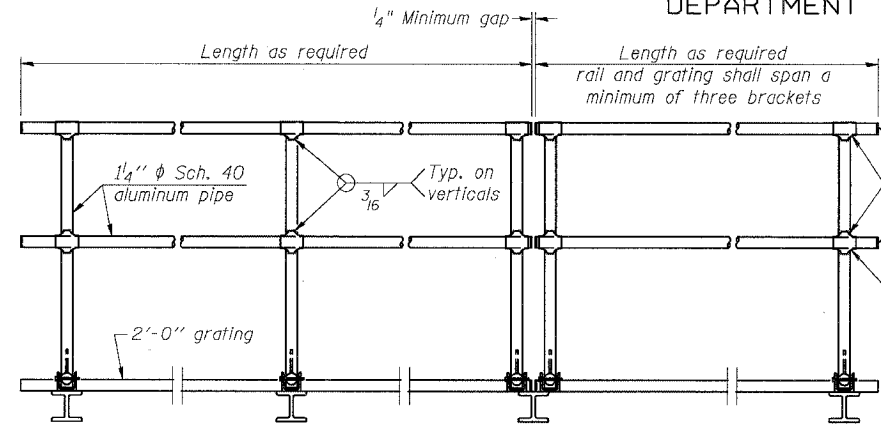
STATE OF ILLINOIS  
DEPARTMENT OF TRANSPORTATION

ROUTE NO.	SECTION	COUNTY	TOTAL SHEETS	SHEET NO.
94/90	*	COOK	588	277
FED. ROAD DIST. NO. 1		ILLINOIS	FED. AID PROJECT-	

\* 62303 (2021-922 PT2 ETC 2324.6-1PI) R-11



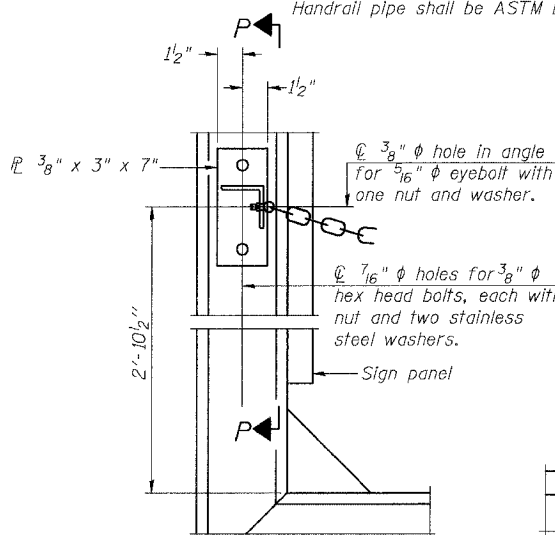
**SIDE ELEVATION**  
(Showing safety chain w/o sign)



**FRONT ELEVATION**

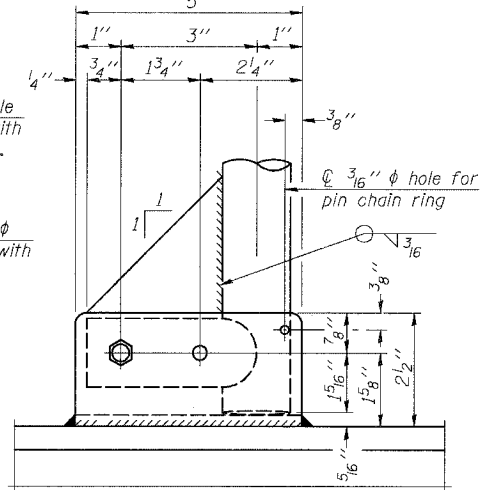
**HANDRAIL DETAILS**

Handrail pipe shall be ASTM B241, Alloy 6063-T6 or Alloy 6061-T6.

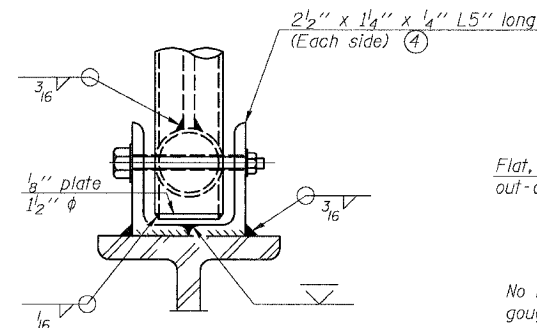


**ALTERNATE SAFETY CHAIN ATTACHMENT**

(With Sign Present)  
Items not shown same as "Side Elevation" of "Handrail Details"

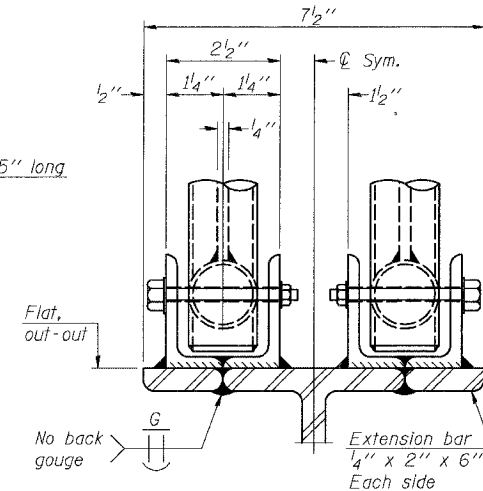


**SIDE ELEVATION**

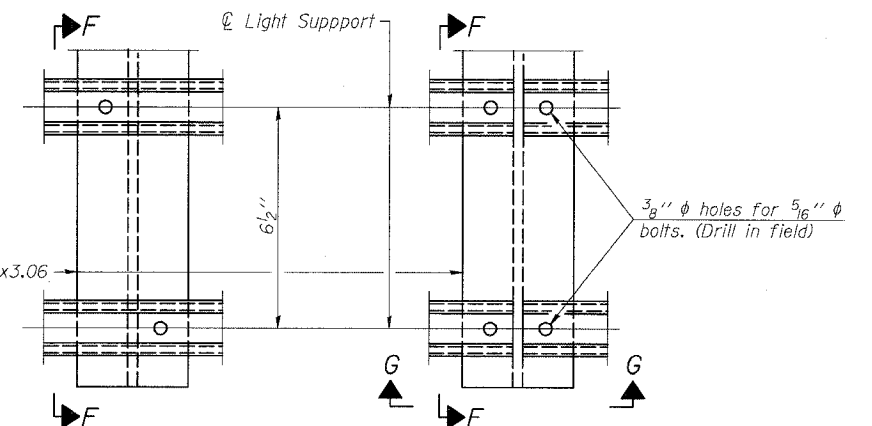


**FRONT ELEVATION**

See "Elevation" at right for dimensions.

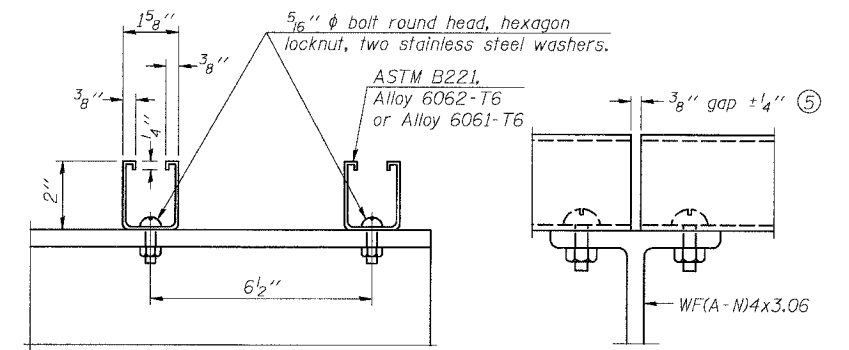


**ELEVATION AT HANDRAIL JOINT** ④



**DETAIL F**

**DETAIL G**

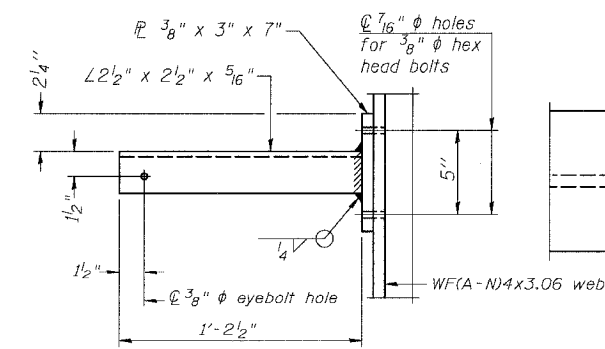


**SECTION F-F**

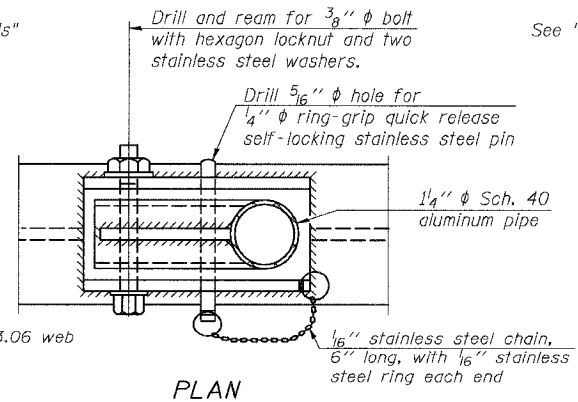
**SECTION G-G**

**LIGHTING FIXTURE MOUNTS (IF REQUIRED)**

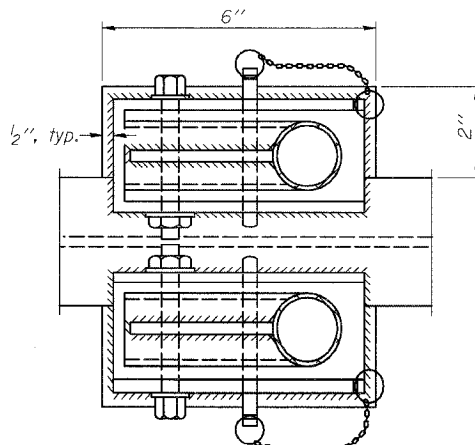
⑤ Field cut ends of light support channels shall be free of burrs or hazardous projections and coated with zinc-rich primer or equivalent.



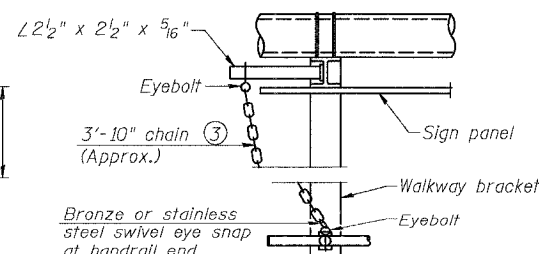
**SECTION P-P**



**PLAN  
DETAIL E HANDRAIL HINGE**

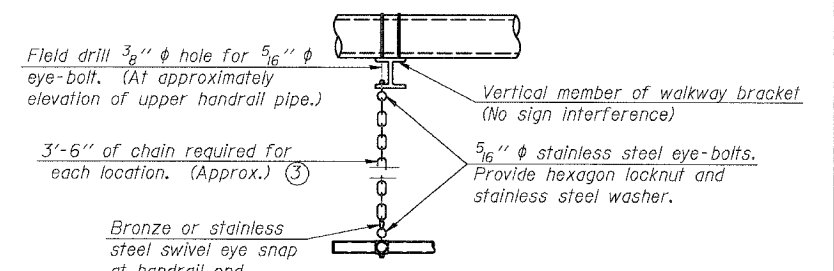


**PLAN AT HANDRAIL JOINT**  
Details not shown same as "PLAN"



**ALTERNATE SAFETY CHAIN ATTACHMENT**

Details not shown similar to "Safety Chain" Details  
(Walkway omitted for clarity)



**SAFETY CHAIN**

One required for each end of each walkway.

DESIGNED	MSA
CHECKED	AS
DRAWN	RV
CHECKED	MSA

EXAMINED	20
PASSED	

ENGINEER OF STRUCTURAL SERVICES  
ENGINEER OF BRIDGES AND STRUCTURES

NUMBER	REVISION	DATE

OS-A-11

1-7-05

OVERHEAD SIGN STRUCTURES  
ALUMINUM HANDRAIL DETAILS

ILLINOIS DEPARTMENT OF TRANSPORTATION  
F.A.I. 94/90 (DAN RYAN EXPRESSWAY)  
GARFIELD BLVD TO 31st STREET (SB LOCAL LANES)

OVERHEAD SIGN STRUCTURES  
(SPAN)

SGN-27

- ③ 3/16" galvanized steel chain, approximately 12 links per foot. Chain to be hot dip galvanized after manufacture and suitable for prolonged exterior exposure. Alternate materials may be substituted with the Engineer's approval.
- ④ Extrusions may be used in lieu of the details shown, with approval of the Engineer.