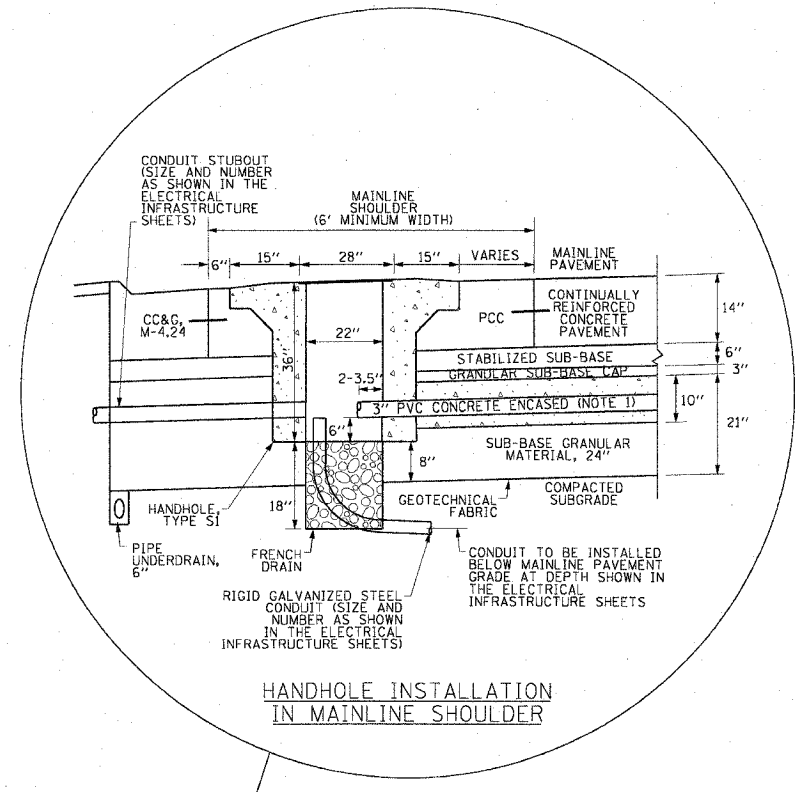
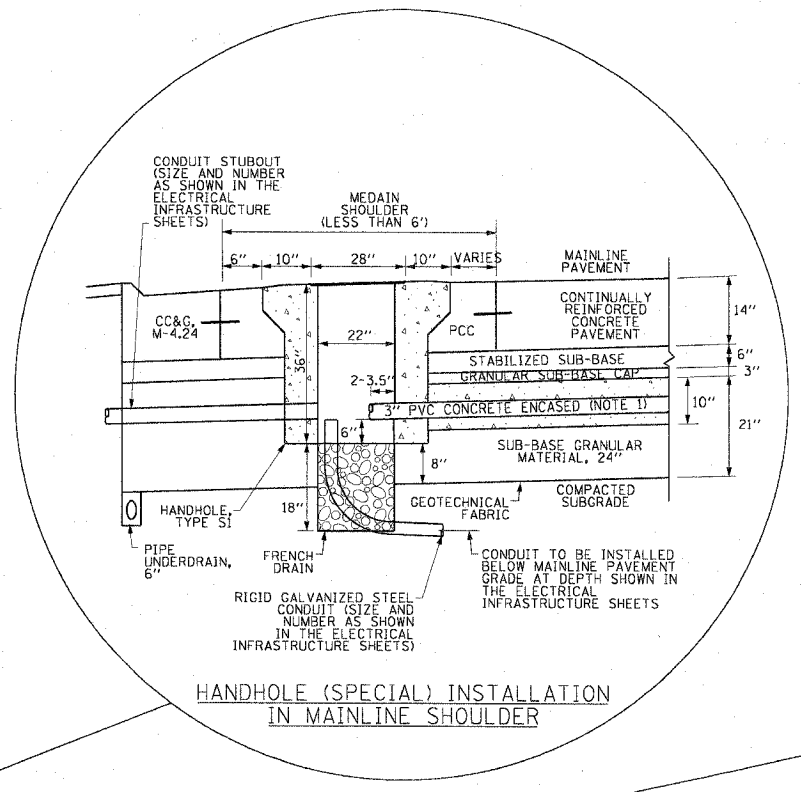


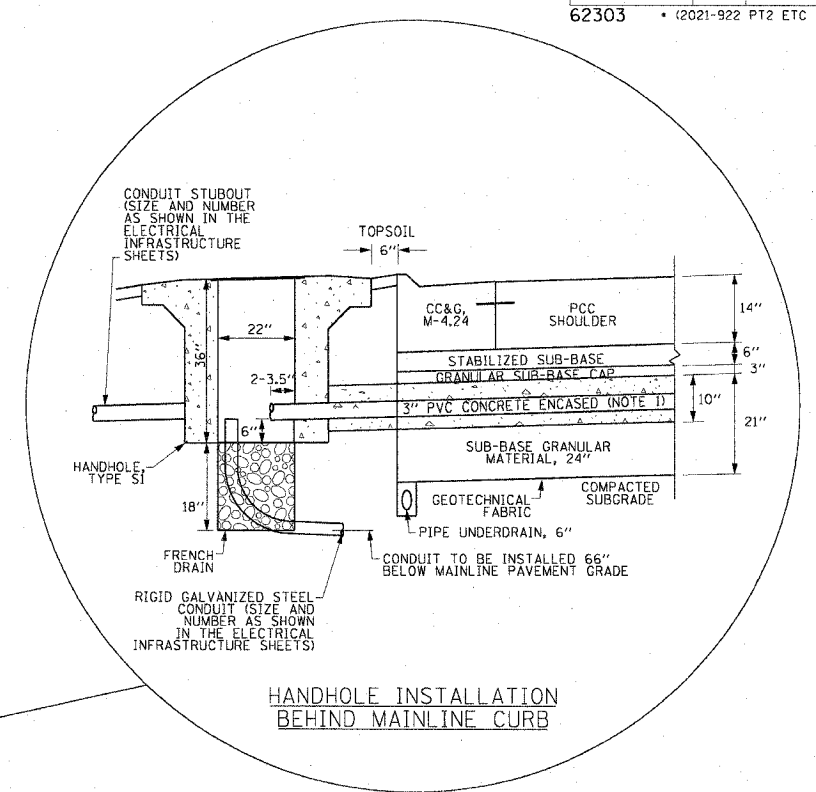
F.A.I. RTE.	SECTION	COUNTY	TOTAL SHEETS	SHEET NO.
90/94		COOK	588	336
STA.	TO STA.			
FED. ROAD DIST. NO. 1 ILLINOIS FED. AID PROJECT				
62303 • (2021-922 PT2 ETC 2324.6-1P) R-11				



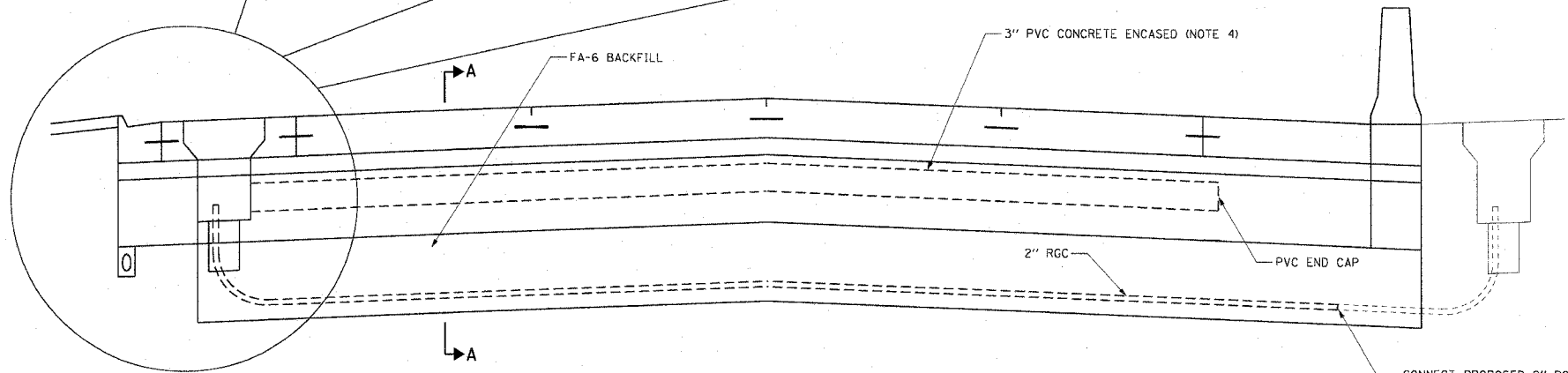
HANDHOLE INSTALLATION IN MAINLINE SHOULDER



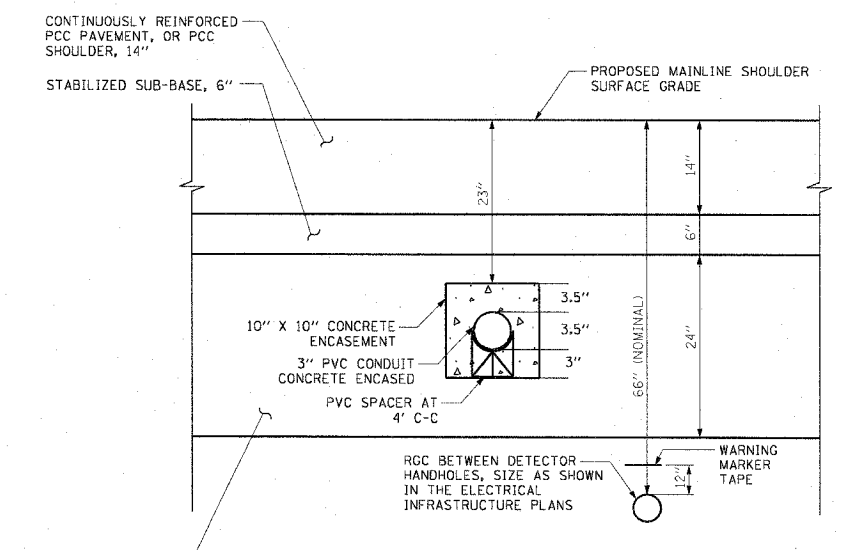
HANDHOLE (SPECIAL) INSTALLATION IN MAINLINE SHOULDER



HANDHOLE INSTALLATION BEHIND MAINLINE CURB



TYPICAL MAINLINE DETECTOR INSTALLATION



SECTION A-A TYPICAL DETECTOR CONDUIT INSTALLATION

- NOTES
- 3" PVC CONCRETE ENCASED CONDUIT IS REQUIRED ONLY WHERE SHOWN ON THE PLAN DRAWINGS. WHEN INSTALLED, THE CONDUIT MUST MAINTAIN THE SAME ANGLE AS THE PAVEMENT THROUGHOUT ITS ENTIRE LENGTH.
  - FOR HANDHOLE DETAIL SEE SHEET EI-104.
  - WHEN INSTALLING CONDUIT NEAR OR THROUGH UNDERDRAIN GEOTECHNICAL FABRIC, THE CONTRACTOR SHALL MAINTAIN THE INTEGRITY AND UNIFORMITY OF THE UNDERDRAIN FABRIC THROUGH OVERLAP TO THE SATISFACTION OF THE ENGINEER.

CONNECT PROPOSED 2" RGC TO EXISTING 2" RGC (SEE ELECTRICAL INFRASTRUCTURE SHEETS FOR EXISTING CONDUIT LOCATIONS AND ELEVATIONS)

CTE | AECOM

REVISIONS	
NAME	DATE

ILLINOIS DEPARTMENT OF TRANSPORTATION  
 F.A.I. 90/94 (DAN RYAN EXPRESSWAY)  
 GARFIELD BLVD TO 31ST STREET (SB LOCAL LANES)  
 TYPICAL DETECTOR  
 INSTALLATION

SCALE: NOT TO SCALE  
 DATE: June 9, 2006  
 DRAWN BY: HAR  
 CHECKED BY: JPC

EI-103  
 06/07/2006 09:56:59 AM  
 p:\p0406\tech\18-cntrs 18 & 19\contract 19\stn\ei103\2324st1