

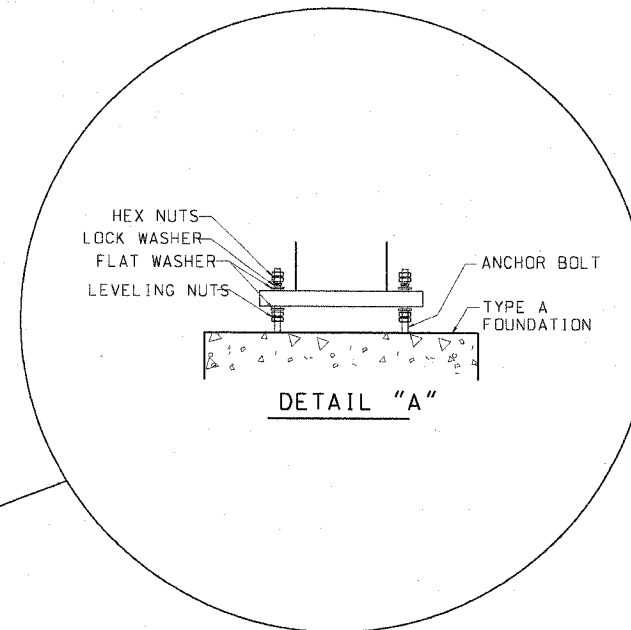
WIDTH (W)	WIDTH (S)
12'	8'
13'	9'
14'	10'
15'	11'
16'	12'
17'	13'
18'	14'
19'	15'
20'	16'
21'	17'
22'	18'
23'	19'
24'	20'
25'	21'

FOR INFORMATION ONLY

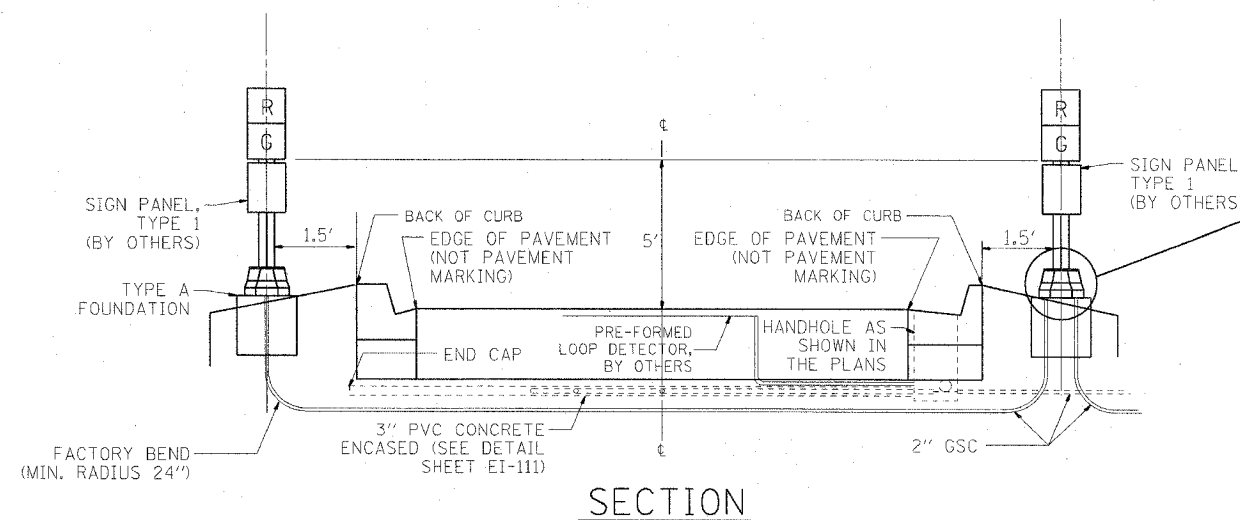
NOTES:

1. CONDUIT AND HANDHOLES SHALL BE FURNISHED AND INSTALLED UNDER THIS CONTRACT. ALL CABLES, PROBES, SIGNALS, SIGNS, AND OTHER EQUIPMENT WILL BE FURNISHED AND INSTALLED BY OTHERS UNDER CONTRACT NUMBER 62583.
2. CONDUIT MUST BE STUBBED OUT OF CONCRETE A MINIMUM OF 3".
3. CENTERLINE OF STOP BAR AND TRAFFIC SIGNALS SHALL BE LOCATED AT THE STATION SHOWN ON THE PLANS.
4. CONTRACTOR MUST COORDINATE PLACEMENT AND SIZE OF ANCHOR BOLTS WITH IDOT CONTRACT NUMBER 62583.

TYPICAL SIGNAL AND LOOP LAYOUT



TYPICAL BREAKAWAY POLE BASE



SECTION

EI-113

REVISIONS	
NAME	DATE

ILLINOIS DEPARTMENT OF TRANSPORTATION  
 F.A.I. 90/94 (DAN RYAN EXPRESSWAY)  
 GARFIELD BLVD TO 31ST STREET (SB LOCAL LANES)  
 TYPICAL RAMP METERING INSTALLATION  
 FOR RAMP WITH CURBS AND GUTTERS

SCALE: NOT TO SCALE  
 DATE: June 9, 2006  
 DRAWN BY: HAR  
 CHECKED BY: JPC