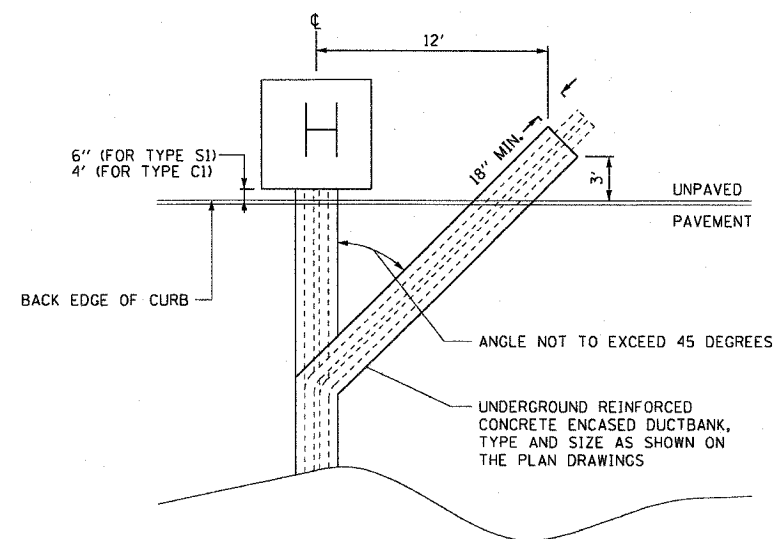


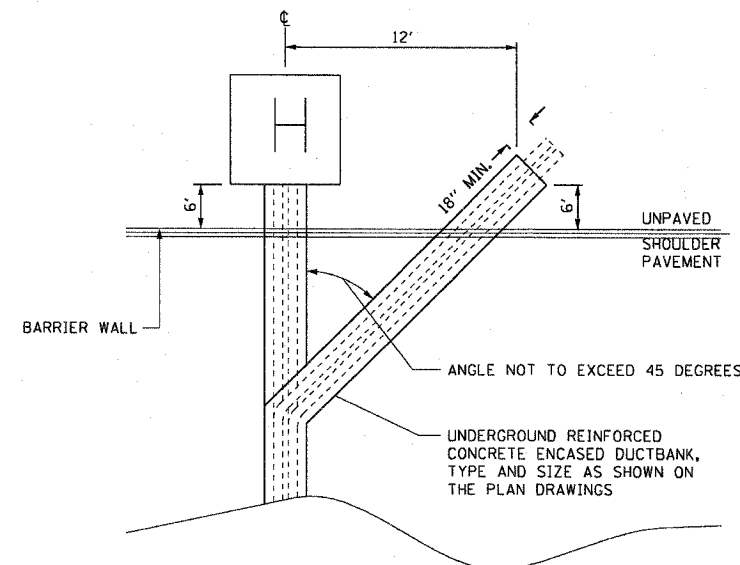
F.A.I. RTE.	SECTION	COUNTY	TOTAL SHEETS	SHEET NO.
90/94		COOK	588	349
STA.	TO STA.			
FED. ROAD DIST. NO. 1 ILLINOIS FED. AID PROJECT				
62303 • (2021-922 PT2 ETC 2324.6-1P) R-11				

NOTES:

1. SEE DRAWINGS EI-100 AND EI-101 FOR ELECTRICAL SYMBOLS AND ABBREVIATIONS.
2. DIMENSIONS SHOWN ON THIS DRAWING ARE TYPICAL FOR MOST INSTALLATIONS. DIMENSIONS AND/OR STATION NUMBERS SPECIFIED ON THE PLAN DRAWINGS OR HANDHOLE DETAIL DRAWINGS WILL SUPERCEDE THE DIMENSIONS SHOWN ON THIS DRAWING.
3. SEE DRAWING EI-106 FOR CONDUIT DUCTBANK DETAILS.



DUCTBANK INSTALLATION DETAIL ACROSS PAVEMENT
NOT TO SCALE



DUCTBANK INSTALLATION DETAIL ACROSS PAVEMENT WITH SHOULDER BARRIER WALL
NOT TO SCALE

CTE | AECOM

REVISIONS	
NAME	DATE

ILLINOIS DEPARTMENT OF TRANSPORTATION
F.A.I. 90/94 (DAN RYAN EXPRESSWAY)
GARFIELD BLVD TO 31ST STREET (SB LOCAL LANES)

**ELECTRICAL DUCTBANK DETAILS
ACROSS PAVEMENT**

SCALE: NOT TO SCALE
DATE: June 9, 2006

DRAWN BY: HAR
CHECKED BY: JPC

EI-115

06/07/2006 09:59:04 AM