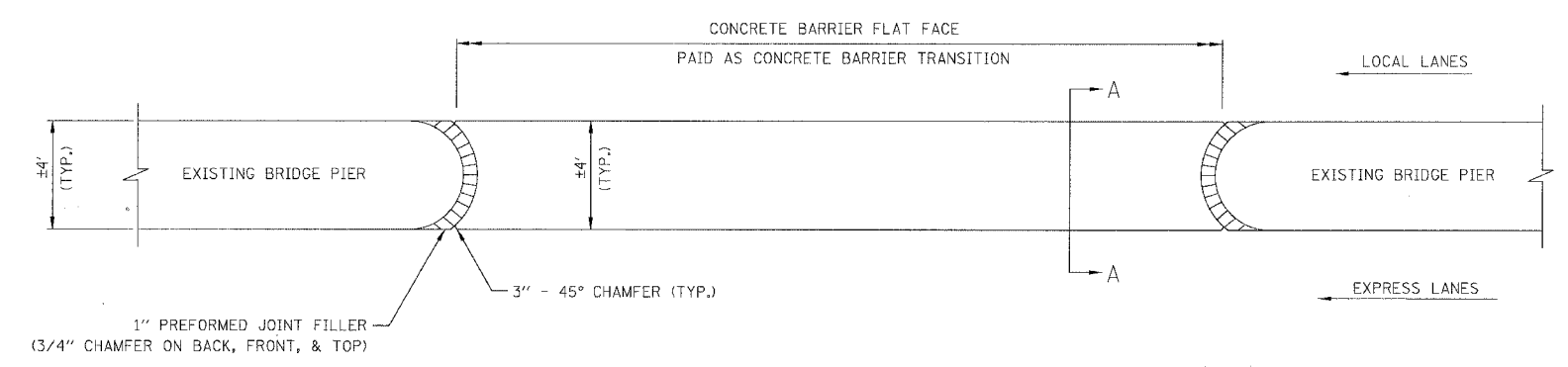
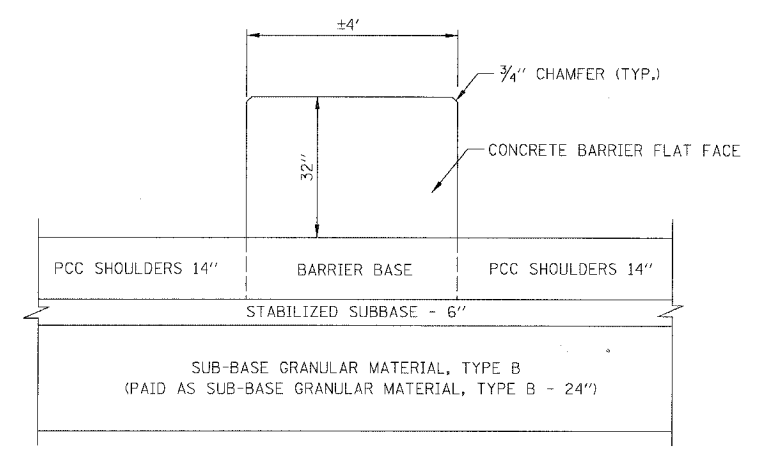


F.A.I.	SECTION	COUNTY	TOTAL SHEETS	SHEET NO.
94/90		COOK	588	355
STA.		TO STA.		
FED. ROAD DIST. NO.		ILLINOIS FED. AID PROJECT		
62303		• (2021-922 P12 ETC 2324.6-1P) R-11		



**CONCRETE BARRIER FLAT FACE**  
 STA. 3575+70.7 TO STA. 3575+89.6 RT



**SECTION A:A**

RDT-4

REVISIONS	
NAME	DATE

ILLINOIS DEPARTMENT OF TRANSPORTATION  
 F.A.I. 94/90 (DAN RYAN EXPRESSWAY)  
 GARFIELD BLVD TO 31ST STREET (NB LOCAL LANES)  
 ROADWAY DETAILS  
**CONCRETE BARRIER FLAT FACE**  
 SCALE: NONE DRAWN BY: JDC  
 DATE: 06/09/06 CHECKED BY: RS

BOWMAN, BARRETT & ASSOCIATES INC.  
 CONSULTING ENGINEERS  
 Chicago, Illinois  
 312.228.0100  
 www.bbainc.com

6/8/2006 11:51:05 AM