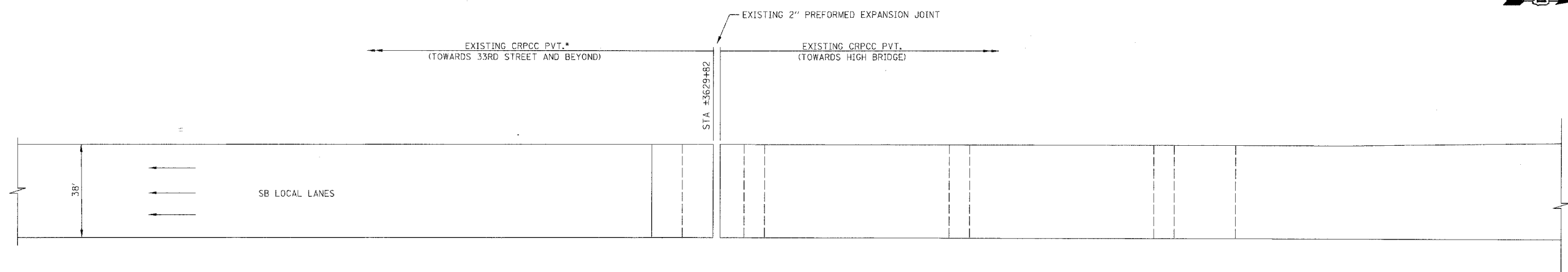
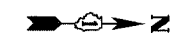
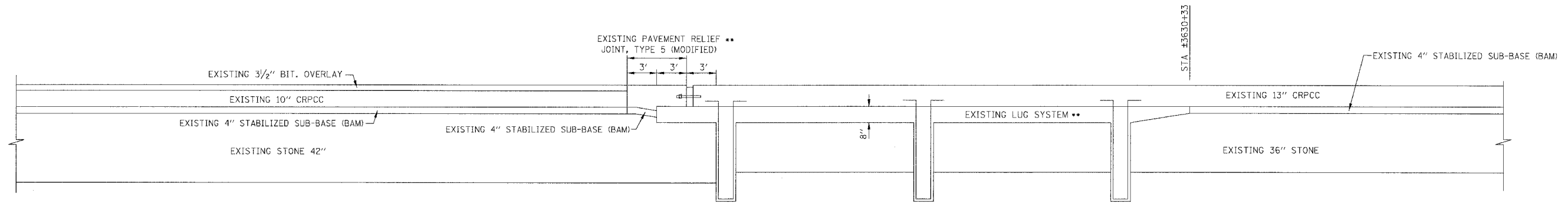


F.A.I.	SECTION	COUNTY	TOTAL SHEETS	SHEET NO.
94/90	*	COOK	588	363
STA.	TO STA.			
FED. ROAD DIST. NO.	ILLINOIS	FED. AID PROJECT		
62303	* (2021-922 PT2 ETC 2324.6-1P) R-11			



EXISTING PLAN



EXISTING PROFILE

- * LUGS FROM ORIGINAL 1961 CONSTRUCTION WERE REMOVED DURING 1987 HIGH BRIDGE (31ST TO I-290) RECONSTRUCTION.
- ** LUGS AND PAVEMENT RELIEF JOINTS FROM 1987 RECONSTRUCTION OF DAN RYAN HIGH BRIDGE AND APPROACH PAVEMENTS.

BOWMAN, BARRETT & ASSOCIATES INC.
CONSULTING ENGINEERS
Chicago, Illinois
312.228.0100
www.bbandainc.com

REVISIONS	
NAME	DATE

ILLINOIS DEPARTMENT OF TRANSPORTATION
F.A.I. 94/90 (DAN RYAN EXPRESSWAY)
GARFIELD BLVD TO 31ST STREET (SB LOCAL LANES)
ROADWAY DETAILS
LUG SYSTEM INTERFACE AT 31ST STREET
SCALE: NTS
DATE: 06/09/06
DRAWN BY: JDC
CHECKED BY: RS