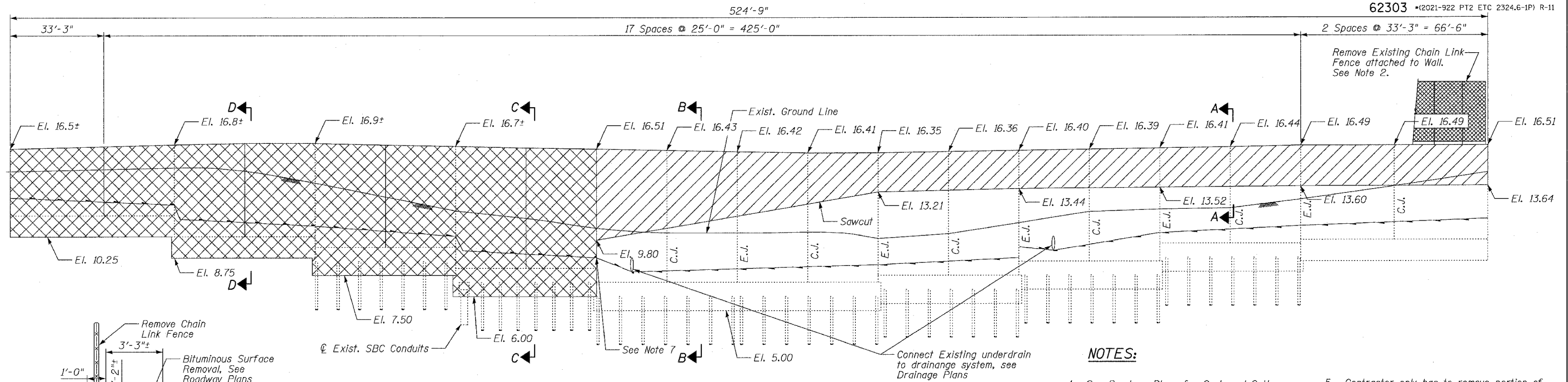
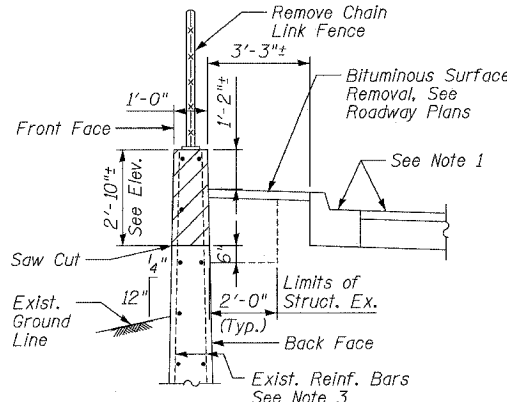


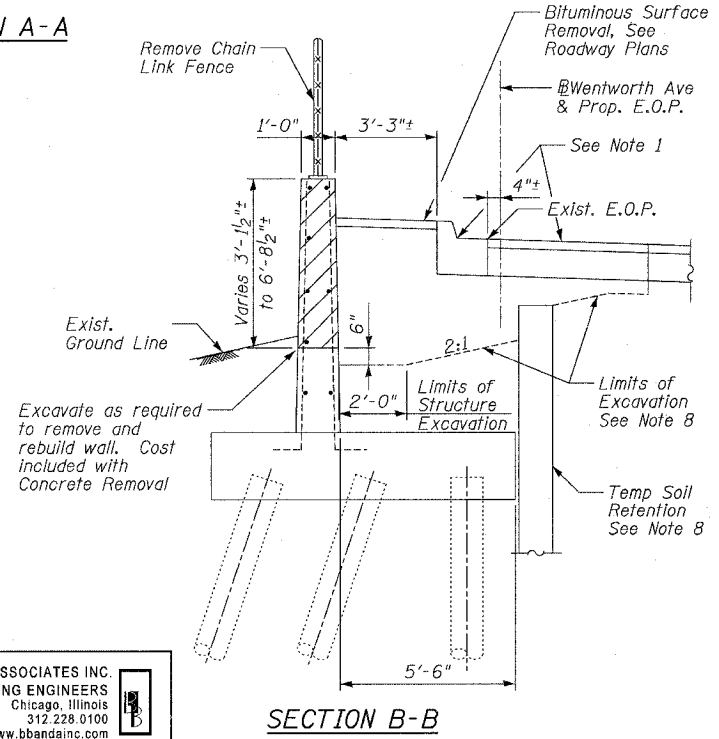
F.A.I.	SECTION	COUNTY	TOTAL SHEETS	SHEET NO.
94/90	*	COOK	588	415
STA.	TO STA.			
FED. ROAD DIST. NO.	ILLINOIS	FED. AID PROJECT		
62303	*12021-922 PT2 ETC 2324.6-1P) R-11			



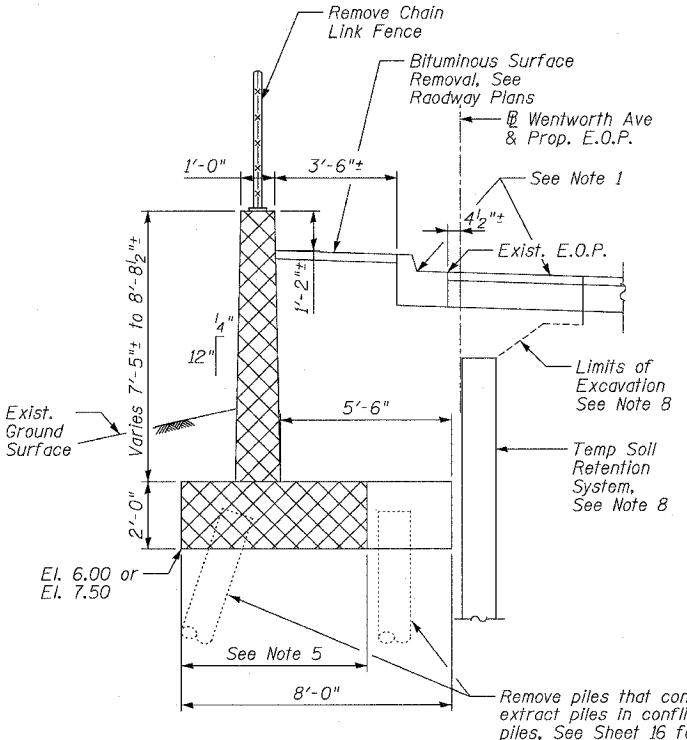
**FRONT FACE ELEVATION - EXISTING RETAINING WALL (W-3)**



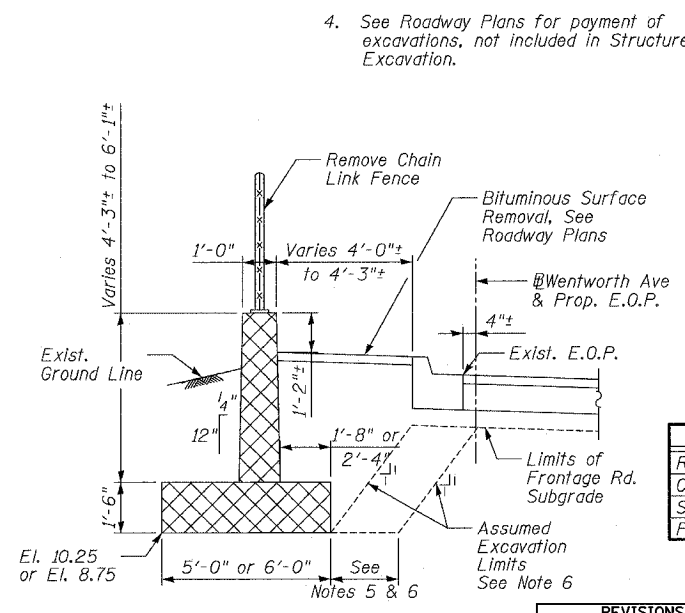
**SECTION A-A**



**SECTION B-B**



**SECTION C-C**



**SECTION D-D**

**NOTES:**

- See Roadway Plans for Curb and Gutter and Pavement Removal and Replacement limits.
- Cost of Chain Link Fence Removal included with Removal of Existing Structures No. 2 or Concrete Removal as appropriate.
- Existing vertical reinforcement bars shall be cleaned, straightened, and incorporated into new construction. Horizontal reinforcement bars shall be removed. Cost included with "Concrete Removal."
- See Roadway Plans for payment of excavations, not included in Structure Excavation.
- Contractor only has to remove portion of existing stem and footing in conflict with proposed wall construction.
- No Structure Excavation paid over limits of Removal of Existing Structures No. 2. Additional excavation assessment at soldier piles. Cost included with Drilling and Place Setting Soldier Piles (in soil).
- Contractor shall maintain existing wall underdrain to remain and cap end as necessary.
- See Sheet 12 for details of Temp Soil Retention System.
- Saw Cut wall at front face along removal line. Cost of Saw Cuts included with Concrete Removal.

**LEGEND**

- Concrete Removal
- Removal of Existing Structures No. 2

**BILL OF MATERIAL**

ITEM	UNIT	QTY.
Removal of Existing Structures No. 2	Each	1
Concrete Removal	Cu. Yd.	42
Structure Excavation	Cu. Yd.	233
Pile Extraction	Each	2

SHEET 4 OF 24

REVISIONS	
NAME	DATE
REVISED	6/14/06

ILLINOIS DEPARTMENT OF TRANSPORTATION  
 F.A.I. 94/90 (DAN RYAN EXPRESSWAY)  
 GARFIELD BLVD TO 31ST STREET (SB LOCAL LANES)  
 COOK COUNTY  
 STA. 3532+90.57 TO STA. 3543+57.42  
 RETAINING WALL S-455-F  
 REMOVAL PLAN & DETAILS  
 S.N. 016-W978  
 SCALE: NTS DRAWN BY: MTR  
 DATE: JUNE 9, 2006 CHECKED BY: BLU

**BOWMAN, BARRETT & ASSOCIATES INC.**  
 CONSULTING ENGINEERS  
 Chicago, Illinois  
 312.228.9100  
 www.bbandainc.com