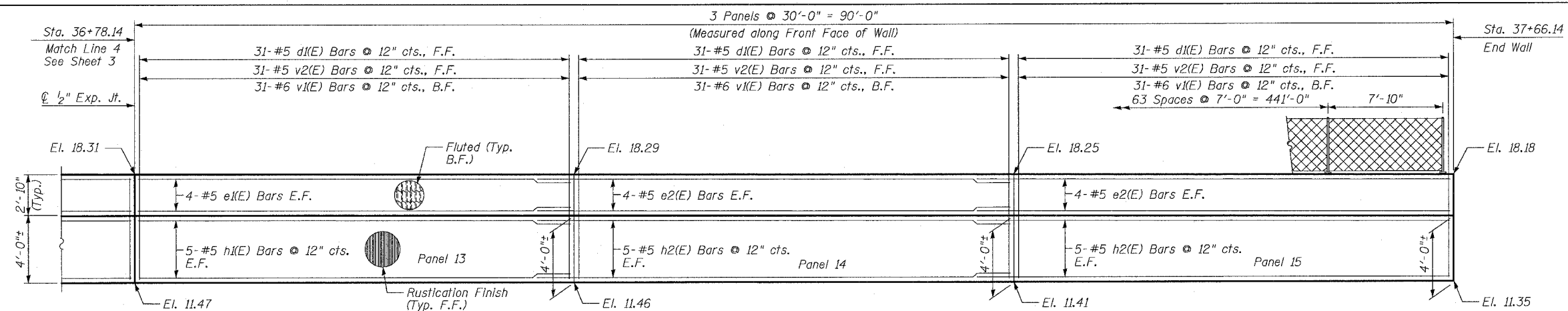
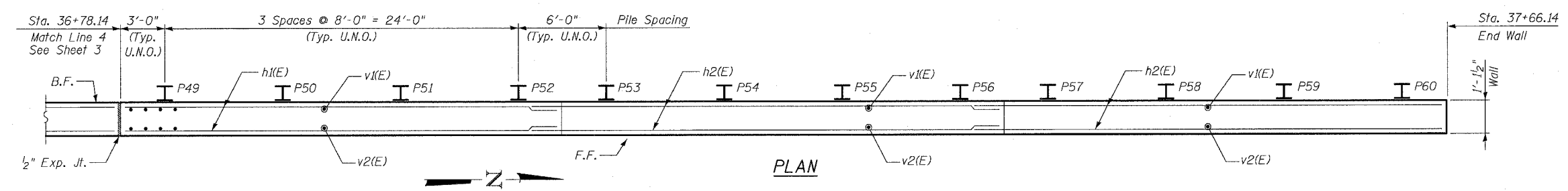


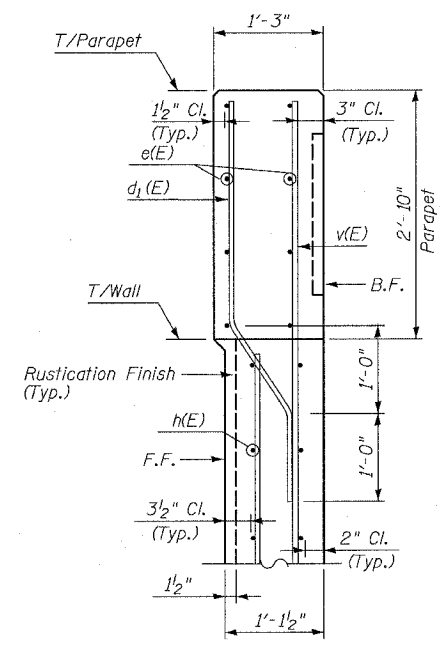
F.A.I.	SECTION	COUNTY	TOTAL SHEETS	SHEET NO.
94/90	*	COOK	588	439
STA.		TO STA.		
FED. ROAD DIST. NO.		ILLINOIS FED. AID PROJECT		
62303		*(2021-922 PT2 ETC 2324.6-1P) R-11		



ELEVATION



PLAN



PARAPET DETAIL

- NOTES:**
1. Stationing given is @ S. Wentworth Ave. stationing.
 2. Facing in Plan Views is scaled 1:2 on an X:Y scale to show reinforcement.
 3. See details for reinforcing bar clearances.

F.F. - denotes Front Face
 B.F. - denotes Back Face
 E.F. - denotes Each Face

MIN BAR LAP
 #5 - 2'-2"
 #6 - 2'-7"

SHEET 4 OF 9

REVISIONS	
NAME	DATE
REVISOR	6/21/06

ILLINOIS DEPARTMENT OF TRANSPORTATION
 F.A.I. 94/90 (DAN RYAN EXPRESSWAY)
 GARFIELD BLVD TO 31ST STREET (SB LOCAL LANES)
**RETAINING WALL S-43N-F
 WALL DETAILS 3**
 SCALE: NTS
 DATE: JUNE 9, 2006
 DRAWN BY: MTR
 CHECKED BY: BLU

BOWMAN, BARRETT & ASSOCIATES INC.
 CONSULTING ENGINEERS
 Chicago, Illinois
 312.228.0100
 www.bbainc.com

12-A452 6/23/2006