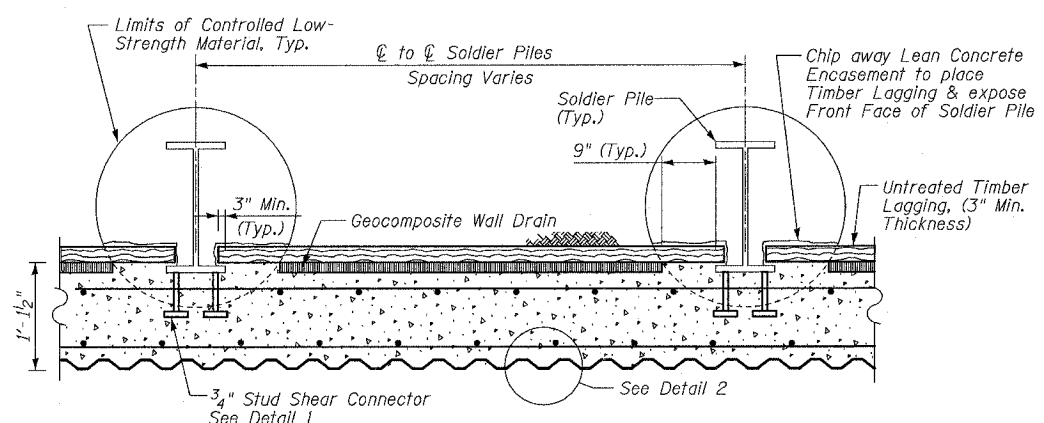
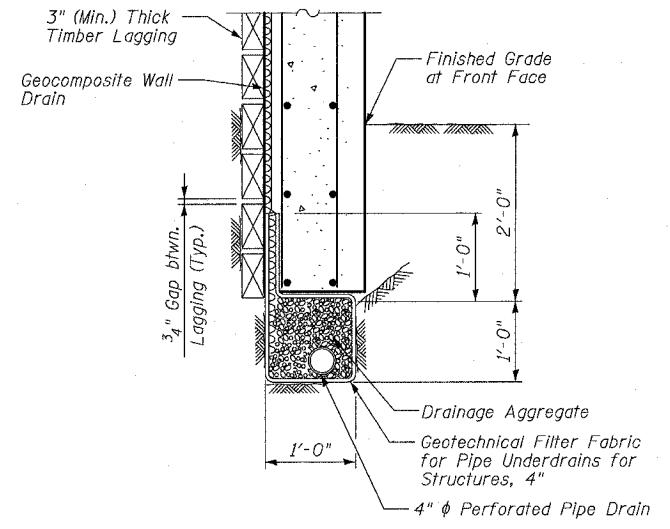


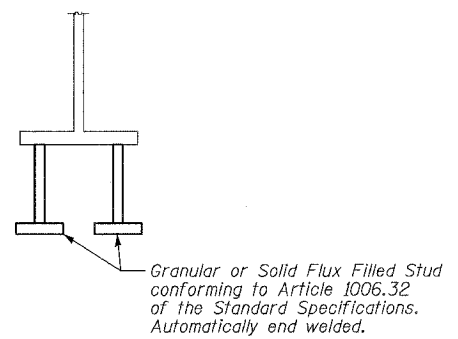
TYP. SECTION THRU PROPOSED WALL



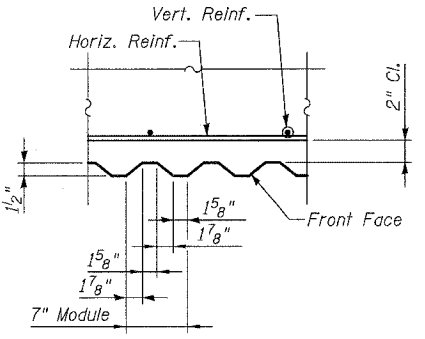
SECTION THRU SOLDIER PILE WALL



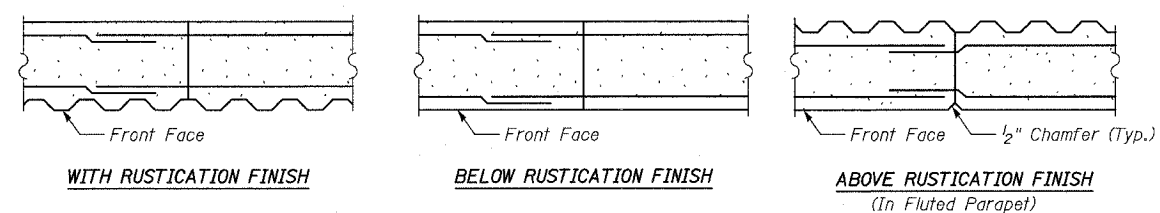
PIPE UNDERDRAIN DETAIL BETWEEN SOLDIER PILES



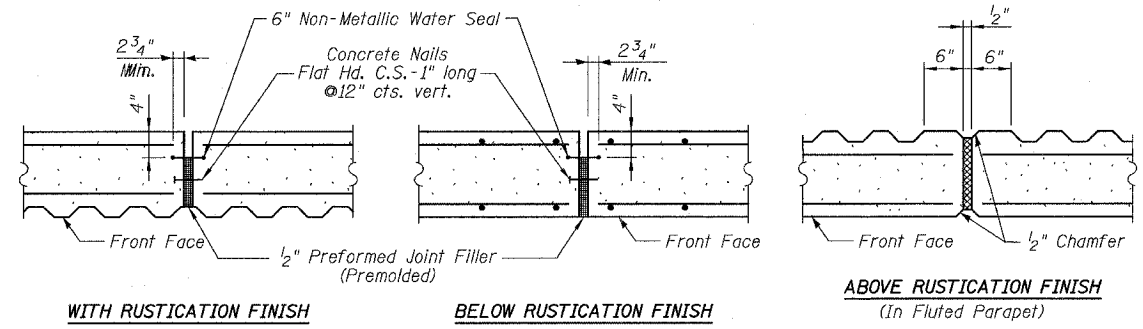
DETAIL 1



DETAIL 2

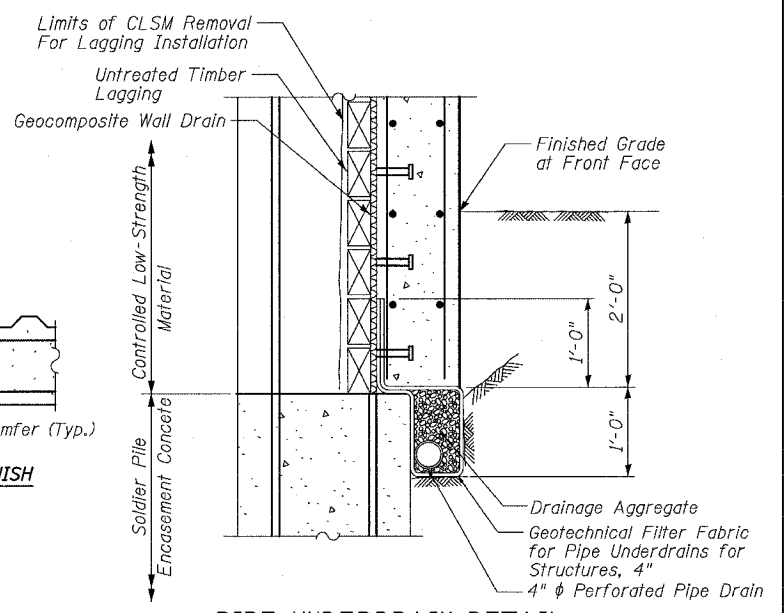


CONSTRUCTION JOINT DETAILS



EXPANSION JOINT DETAILS

Cost of P.J.F., Water Seal and Concrete Nails included with Concrete Structures.



PIPE UNDERDRAIN DETAIL AT SOLDIER PILES

BOWMAN, BARRETT & ASSOCIATES INC.
CONSULTING ENGINEERS
Chicago, Illinois
312.228.9100
www.bbandainc.com

REVISIONS	
NAME	DATE
REVISED	06/21/06

ILLINOIS DEPARTMENT OF TRANSPORTATION
F.A.I. 94/90 (DAN RYAN EXPRESSWAY)
GARFIELD BLVD TO 31ST STREET (SB LOCAL LANES)
RETAINING WALL S-43N-F
MISCELLANEOUS DETAILS
SCALE: NTS
DATE: JUNE 9, 2006
DRAWN BY: MTR
CHECKED BY: BLU

6/23/2006 12:45:02 PM