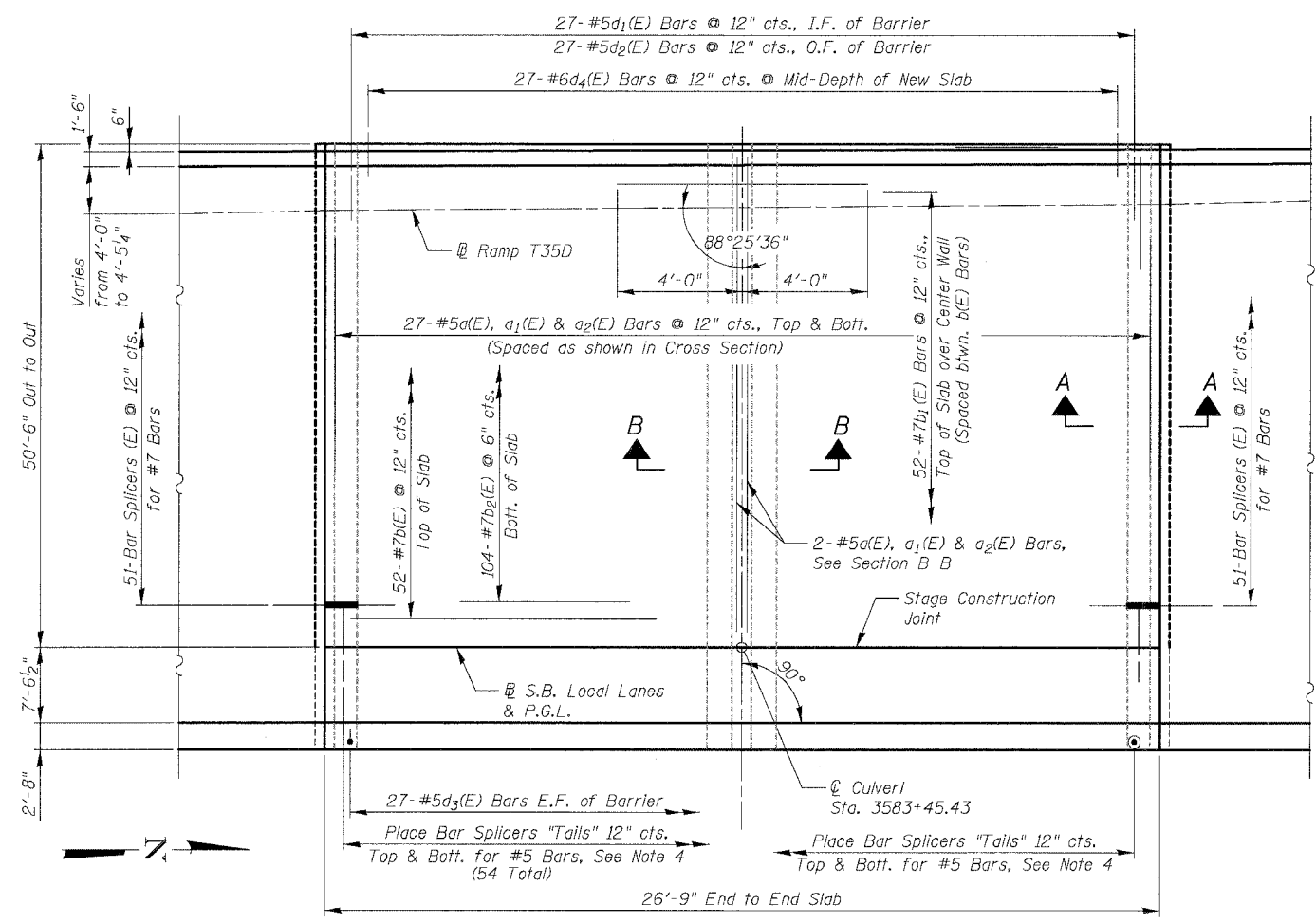
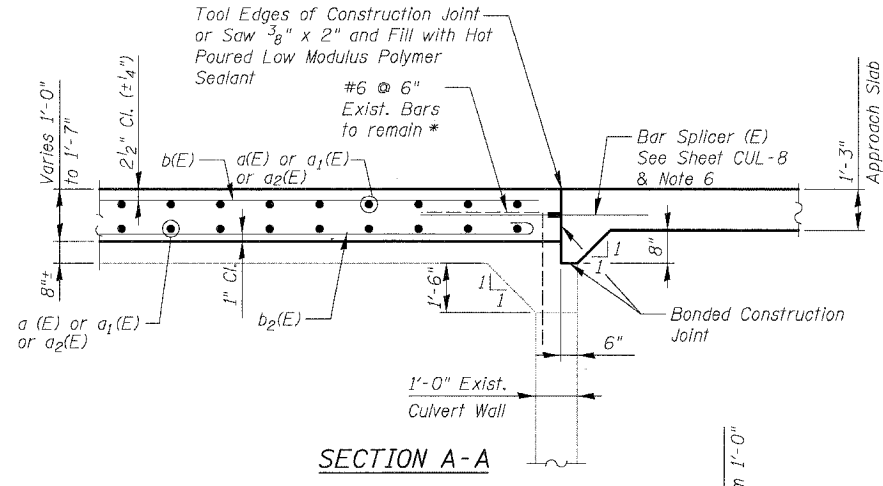


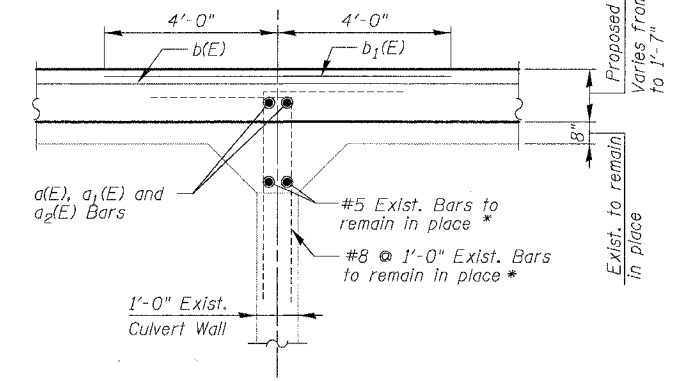
F.A.I.	SECTION	COUNTY	TOTAL SHEETS	SHEET NO.
94/90		COOK	588	465
STA.	TO STA.			
FED. ROAD DIST. NO.	ILLINOIS	FED. AID PROJECT		
62303 * (2021-922 PT2 ETC 2324.6-1P) R-11				



PLAN



SECTION A-A



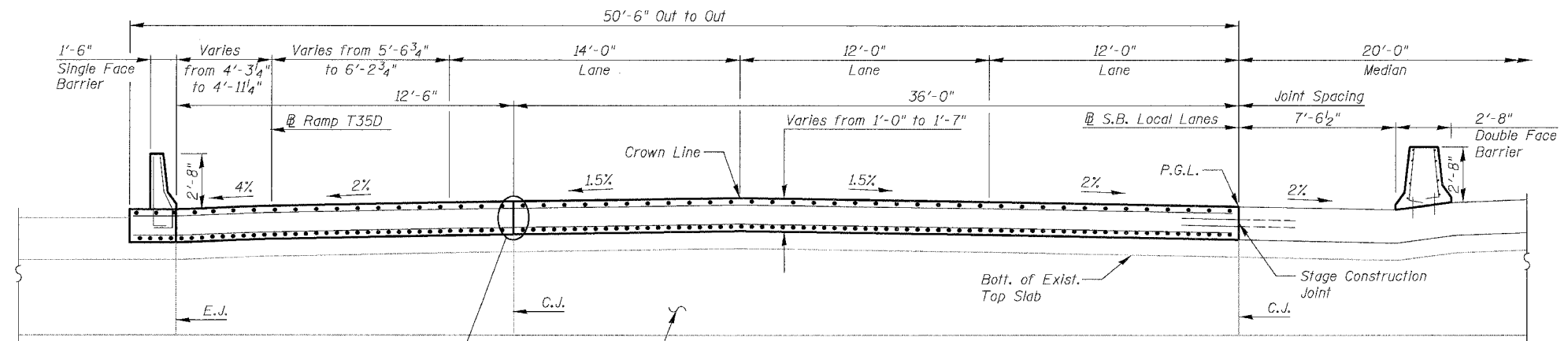
SECTION B-B

* Existing Reinforcement Bars shown are to be cleaned and incorporated into new construction. The Contractor also has the option to cut the existing bars and use new bars anchored to the existing concrete pier per approval of the Engineer.

Additional reinforcement shall not be measured for payment but shall be included in the cost of "Reinforcement Bars, Epoxy Coated".

NOTES

1. Reinforcement Bars designated (E) shall be epoxy coated.
2. See Sheet CUL-5 for Top Slab Details and Bill of Material.
3. See Sheet CUL-8 for Bar Splicer Details.
4. Contractor shall be provided Bar Splicer "Tails" by Engineer for use in previously placed inserts. Contractor shall exercise care in removing ramp pavement not to damage inserts. Cost of installing "Tails" included with Bar Splicers.
5. Approach Pavement Seat shall follow existing wall limits.
6. Place Bar Splicers in slab to lap with bottom bars of Approach Pavement.



CROSS-SECTION
(Looking Upstation)

ABBREVIATIONS

- E.J. = Expansion Joint
- C.J. = Construction Joint
- O.F. = Outside Face
- I.F. = Inside Face
- E.F. = Each Face

SHEET CUL- 4 OF CUL-16

REVISIONS	NAME	DATE

ILLINOIS DEPARTMENT OF TRANSPORTATION
F.A.I. 94/90 (DAN RYAN EXPRESSWAY)
 GARFIELD BLVD TO 31ST STREET (SB LOCAL LANES)
 MWRD CULVERT, N. OF 39TH ST.,
 COOK COUNTY, S.N. 016-2625
TOP SLAB PLAN

SCALE: N.T.S. DRAWN BY: MTR
 DATE: JUNE 9, 2006 CHECKED BY: BLU

BOWMAN, BARRETT & ASSOCIATES INC.
 CONSULTING ENGINEERS
 Chicago, Illinois
 312.228.0100
 www.bbainc.com

6/8/2006 6:32:36 AM