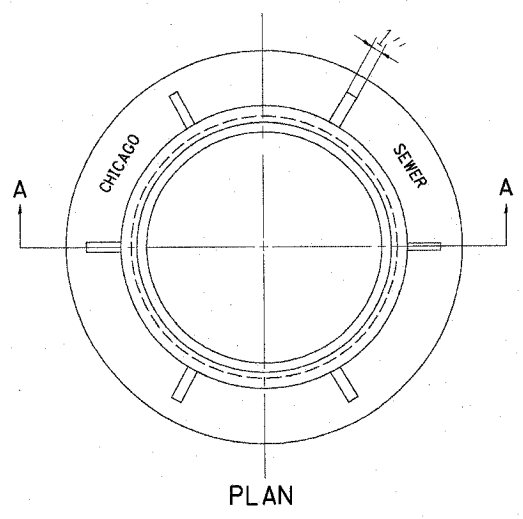
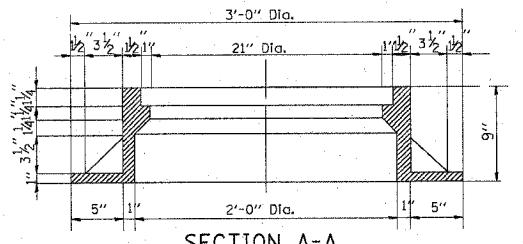


F.A. RTE.	SECTION	COUNTY	TOTAL SHEETS	SHEET NO.
			588	483
STA.		TO STA.		
FED. ROAD DIST. NO. 1		ILLINOIS FED. AID PROJECT		



PLAN



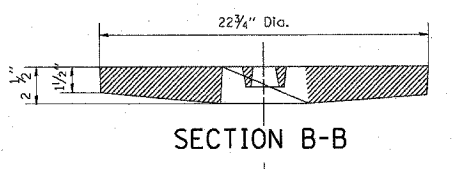
SECTION A-A

NOTE: Metal Plates Must Be Furnished For Perforated Lids On Manholes

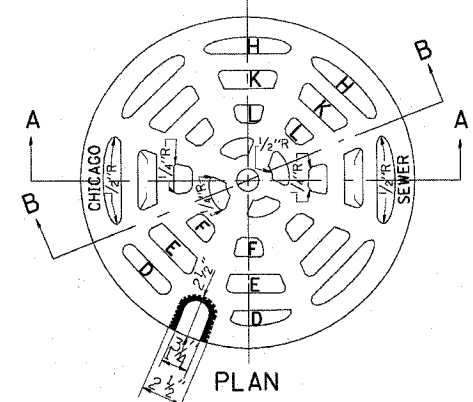
CHICAGO STANDARD MANHOLE FRAME

Scale: 1/2"=1'-0"

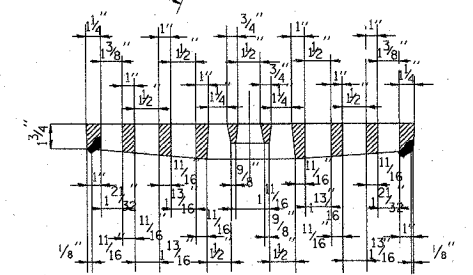
Material: Cast Iron



SECTION B-B



PLAN



SECTION A-A

PERFORATED LID FOR CATCH BASINS & MANHOLES

Scale: 2"=1'-0"

Material: Cast Iron

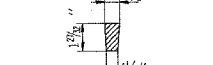
SECTION D-D



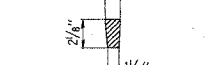
SECTION E-E



SECTION F-F



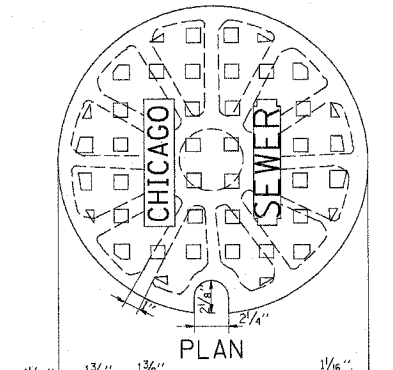
SECTION H-H



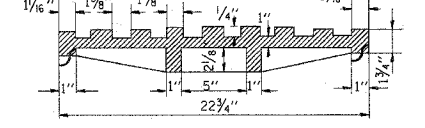
SECTION K-K



SECTION L-L



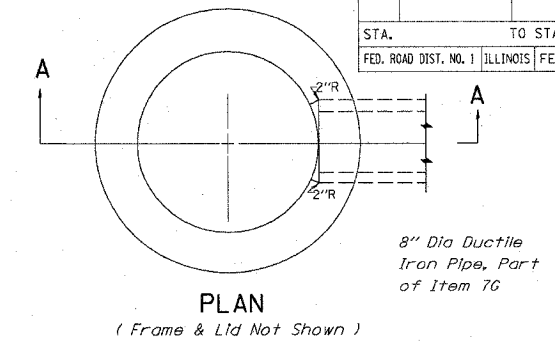
PLAN



SECTION

SOLID LID FOR MANHOLES

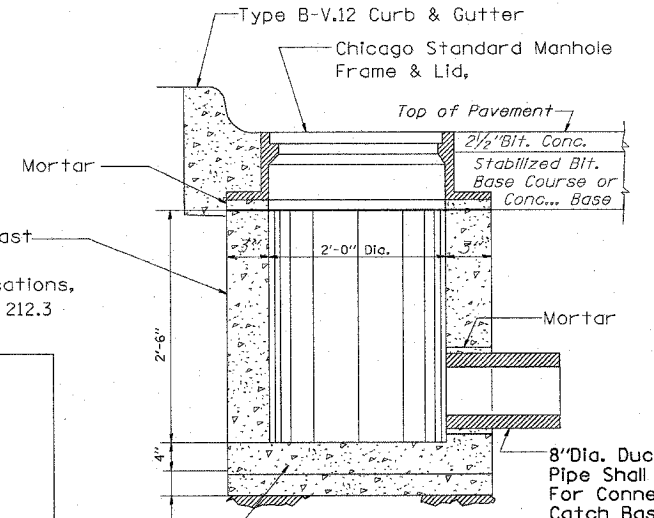
Scale: NONE
Material: Cast Iron



PLAN

(Frame & Lid Not Shown)

8" Dia Ductile Iron Pipe, Part of Item 7G



SECTION A-A

8" Dia. Ductile Iron Pipe Shall Be Used For Connection to Catch Basin Pipe To Be Laid On A Minimum Grade of 1%

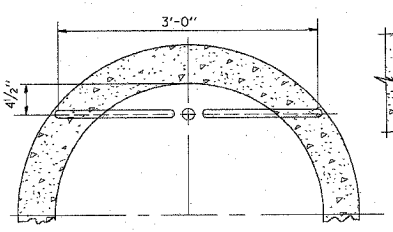
Reinf. Conc. Base Cast as Integral Part of 24" Dia. Precast Conc. Ring
6" Minimum Granular Embedment Under All Inlets. Furnishing and Installing Granular Embedment Shall Be Included In The Unit Price Bid For Item 12

STANDARD INLETS

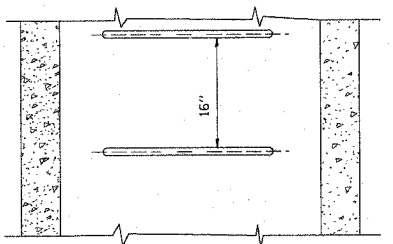
Scale: 1"=1'-0"
Item 12

This Inlet Detail Is Sometimes Referred To As "Chicago Standard Inlet, Type A"

NOTE:
INLETS SHALL NOT BE CONSTRUCTED UNLESS IT IS IMPOSSIBLE TO CONSTRUCT A CATCH BASIN. THE CONTRACTOR SHALL HAVE THE DEPARTMENT OF SEWERS APPROVAL BEFORE CONSTRUCTING INLETS

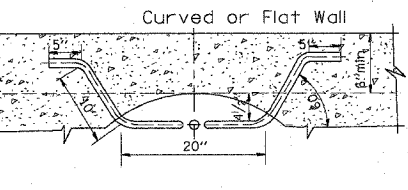


PLAN

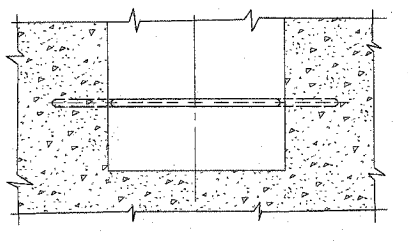


ELEVATION TYPE X

Scale: 1"=1'-0"

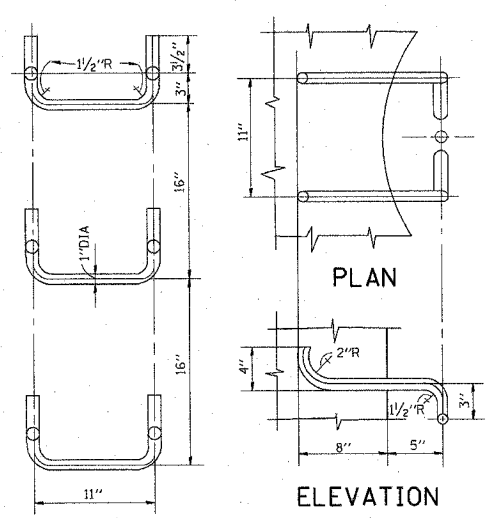


PLAN



ELEVATION TYPE Y

Scale: 1"=1'-0"



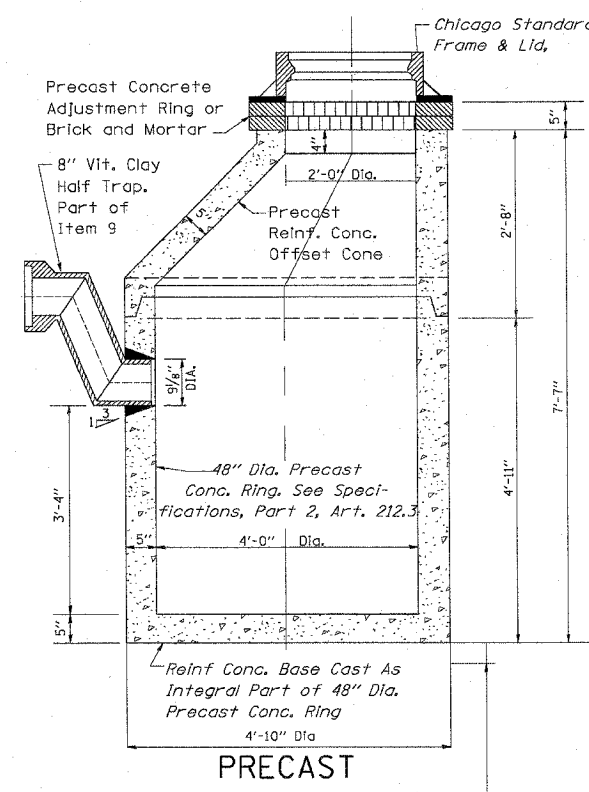
ELEVATION

PLAN

Scale: 1/2"=1'-0"

STANDARD LADDER RUNGS

All Ladder Rungs Shall Be Aluminum or Galvanized Wrought Iron As Specified in Specifications, Part 2, Article 214.2. Rungs Shall Be 1" Diameter or of A Shape Having An Equivalent Cross-Sectional Area



PRECAST

Note:
6" Minimum Granular Embedment Under All Catch Basins

STANDARD CATCH BASINS

Scale: 3/4"=1'-0"
Item 9

REVISIONS	
NAME	DATE
M. GOMEZ	01/25/01

CITY OF CHICAGO
DEPARTMENT OF SEWERS
ENGINEERING DIVISION

ILLINOIS DEPARTMENT OF TRANSPORTATION
**CITY OF CHICAGO
CATCH BASIN, INLET AND
MANHOLE DETAILS**

SCALE: VERT. HORIZ.
DATE 10/18/2002

DRAWN BY
CHECKED BY

BD600-13 (BD47)
REVISION DATE: 01/25/01

DATE-TIME
IGN-SPEC
V-BD