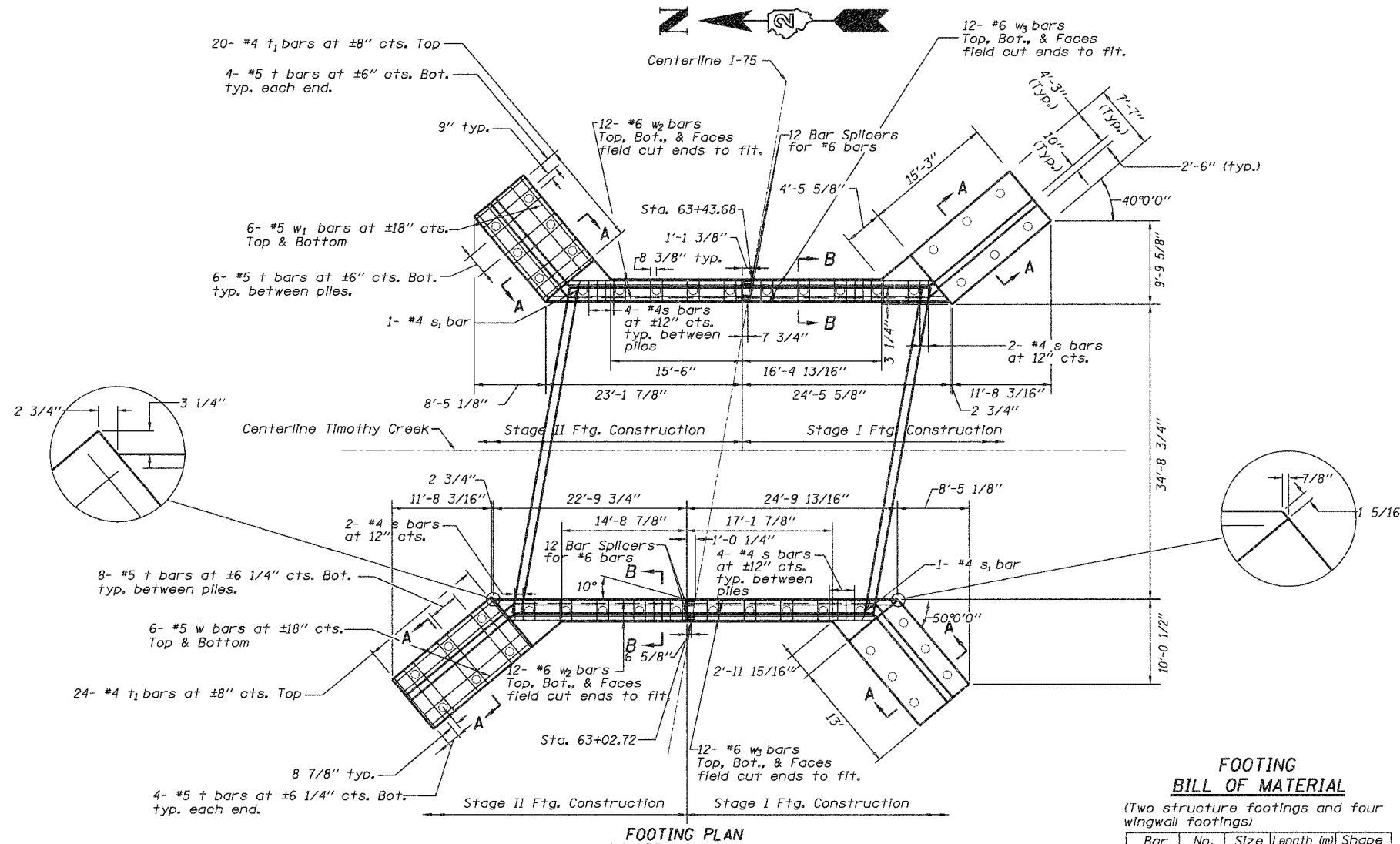


STATE OF ILLINOIS
DEPARTMENT OF TRANSPORTATION

ROUTE NO.	SECTION	COUNTY	SHEET NO.	TOTAL SHEETS
FAP 505	115 BR-1	WINNEBAGO	35	13
FED. ROAD DIST. NO.	ILLINOIS	FED. AID PROJECT		

Contract #64940



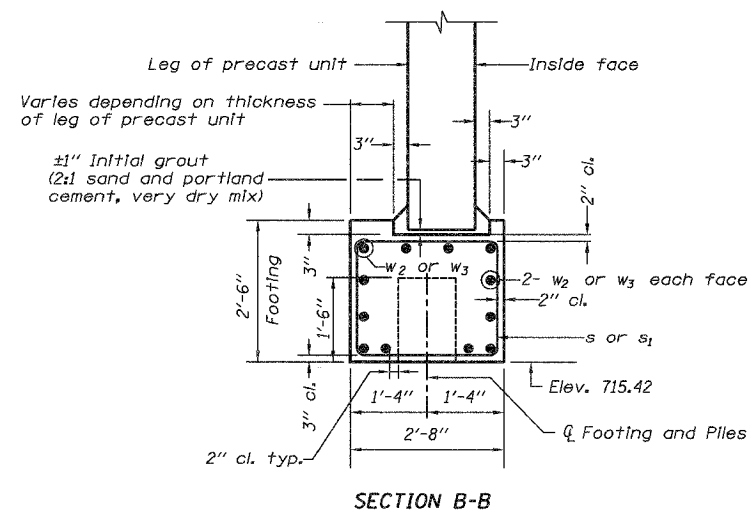
FOOTING PLAN

FOOTING
BILL OF MATERIAL

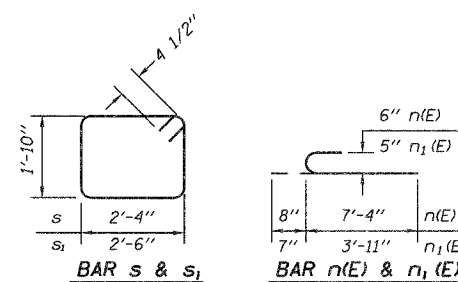
(Two structure footings and four wingwall footings)

Bar	No.	Size	Length (m)	Shape
n(E)	78	#6	8'-0"	—
n1(E)	74	#5	4'-6"	—
s	76	#4	9'-1"	□
s1	2	#4	9'-5"	□
t	88	#5	7'-3"	—
t1	88	#4	7'-3"	—
w	24	#5	15'-0"	—
w1	24	#5	12'-9"	—
w2	24	#6	22'-10"	—
w3	24	#6	24'-6"	—

Notes:
Excavation for Three-Sided Structure and Wingwalls will not be paid for separately but shall be considered included in the cost for Concrete Structures and Three-Sided Precast Concrete Structures.



SECTION B-B



Notes:
See sheet 6 of 12 for Corner Details.
See sheet 7 of 12 for Section A-A.
See sheet 7 of 12 for n(E) and n1(E) bar placement and spacing.

DESIGNED	JLS
CHECKED	JDA
DRAWN	NOE
CHECKED	JLS

WORK THIS SHEET WITH
SHEET 7.

FOOTING DETAILS
IL RTE 75 OVER
TIMOTHY CREEK
FAP ROUTE 505
SECTION 115BR-1
WINNEBAGO COUNTY
STA. 63+23.20
SN 101-0183

Concrete Structures	Cu Yd	53.6
Reinforcement Bars, Epoxy Coated	Pound	1280
Reinforcement Bars	Pound	3970
Furnishing Metal Pile Shells 12"	Foot	2003
Driving and Filling Shells	Foot	2003
Test Pile Metal Shells	Each	1
Bar Splicers	Each	24

Reinforcement Bars designated (E) shall be epoxy coated.